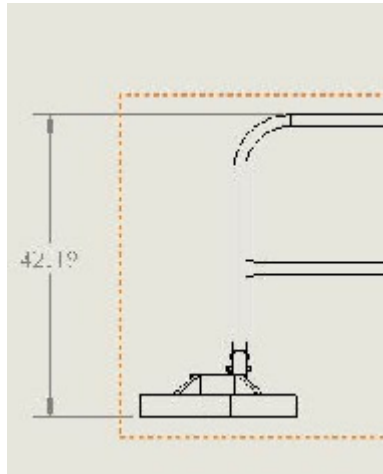
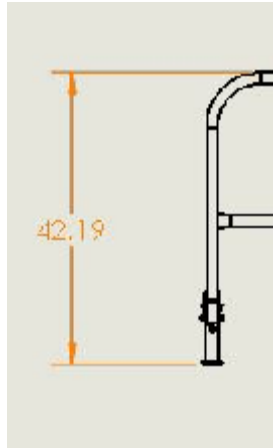


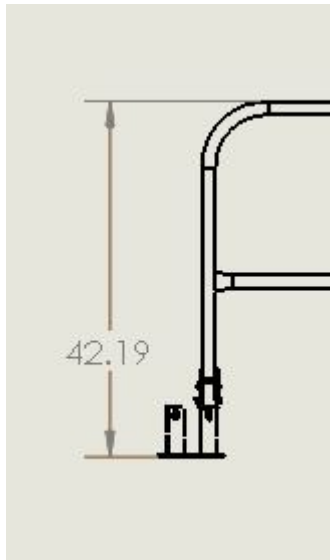
MOUNTING BRACKET OPTIONS



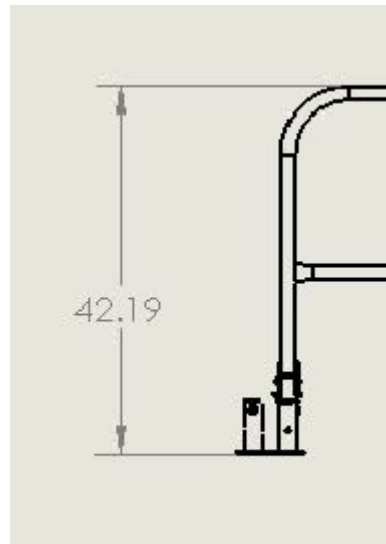
MOBILE BASE
1. PART NUMBER 420068



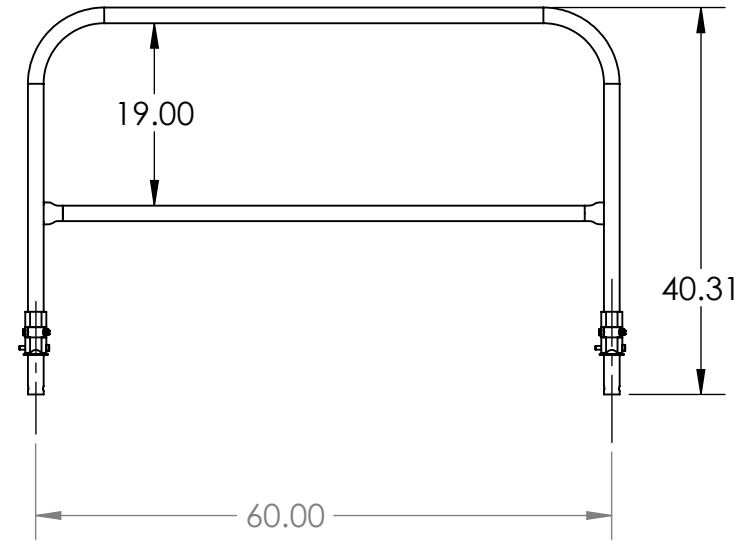
PERMANENT MOUNT BRACKET
SINGLE
2. PART NUMBER 400033



PERMANENT MOUNT BRACKET
DOUBLE
3. PART NUMBER 400035



PERMANENT MOUNT BRACKET
CORNER
4. PART NUMBER 400037



| | | |
|-----------------------|----------------|--------------|
| TITLE: | | |
| HIDE A RAIL 5' | | |
| SIZE | DWG. NO. | REV |
| A | 400093A | |
| SCALE: 1:20 | WEIGHT: | SHEET 1 OF 1 |

Safety Rail Company LLC.
 4244 Shoreline Dr.
 P.O. Box 427
 Spring Park, MN 55384
 Toll Free: 888-434-2720
 Tel: 952-471-0950
 Fax: 888-471-4931
 www.safetyrailcompany.com
 info@safetyrailcompany.com