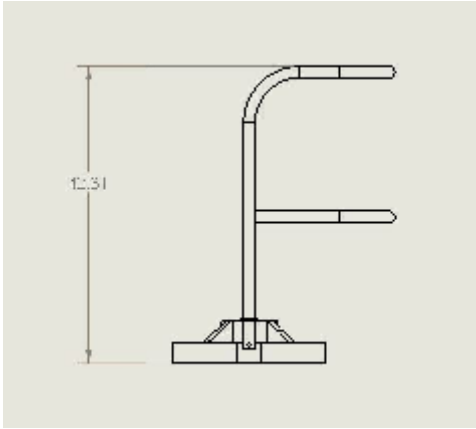
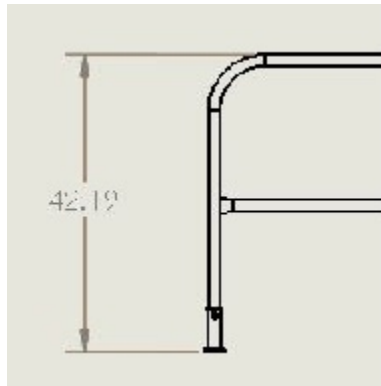


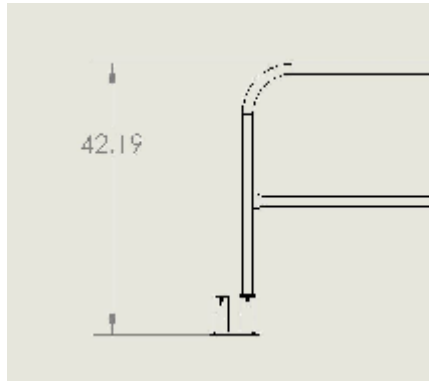
MOUNTING BRACKET OPTIONS



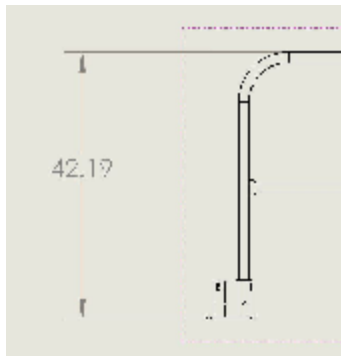
MOBILE BASE
1. PART NUMBER 420068



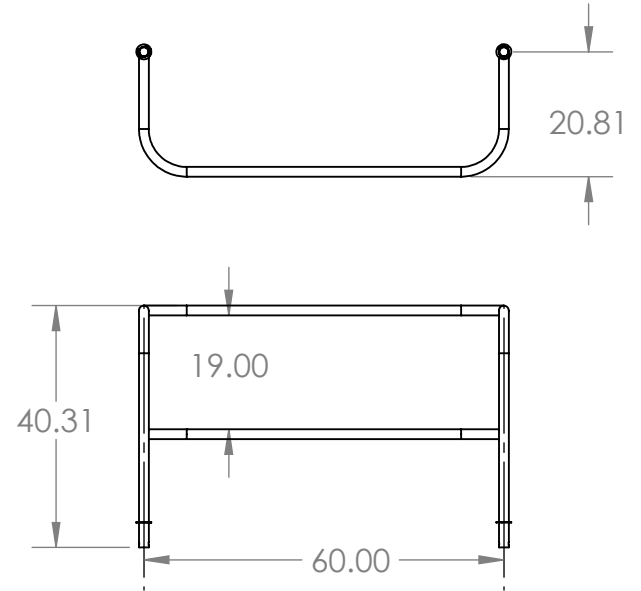
PERMANENT MOUNT BRACKET
SINGLE
2. PART NUMBER 400033



PERMANENT MOUNT BRACKET
DOUBLE
3. PART NUMBER 400035



PERMANENT MOUNT BRACKET
CORNER
4. PART NUMBER 400037



PROPRIETARY AND CONFIDENTIAL

THE INFORMATION CONTAINED IN THIS DRAWING IS THE SOLE PROPERTY OF SAFETY RAIL COMPANY. ANY REPRODUCTION IN PART OR AS A WHOLE WITHOUT THE WRITTEN PERMISSION OF SAFETY RAIL COMPANY IS PROHIBITED.

		UNLESS OTHERWISE SPECIFIED:	NAME	DATE
		DIMENSIONS ARE IN INCHES	DRAWN	GHJ 04/27/17
		TOLERANCES:	CHECKED	
		FRACTIONAL ±	ENG APPR.	
		ANGULAR: MACH ± BEND ±	MFG APPR.	
		TWO PLACE DECIMAL ±	Q.A.	
		THREE PLACE DECIMAL ±	COMMENTS:	
		INTERPRET GEOMETRIC TOLERANCING PER:	SRC STANDARDS:	
		MATERIAL	AWS D1.3	
NEXT ASSY	USED ON	FINISH	Use only ER70S-6 wire.	
		PCOAT SAFETY YEL	75/25 Mig Gas	
APPLICATION		DO NOT SCALE DRAWING		

TITLE:		
5' MOBILE PARAPET WALL RAILING		
SIZE	DWG. NO.	REV
A	400849A	
SCALE: 1:32	WEIGHT:	SHEET 1 OF 1