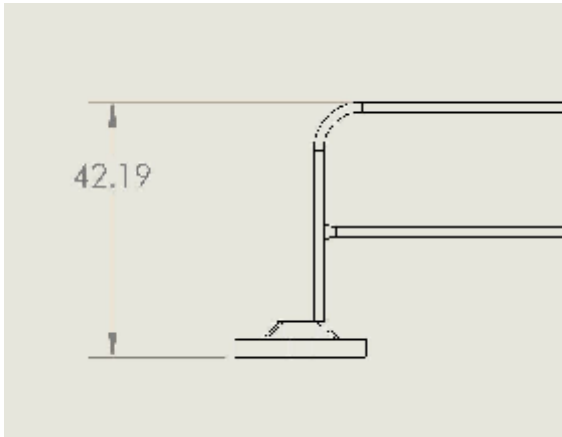
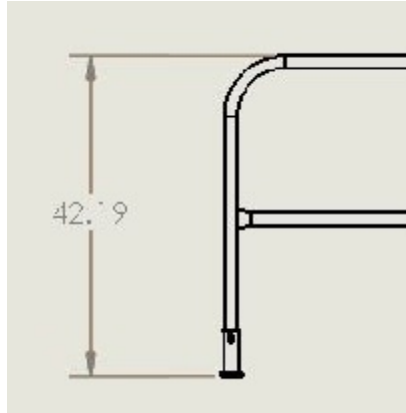


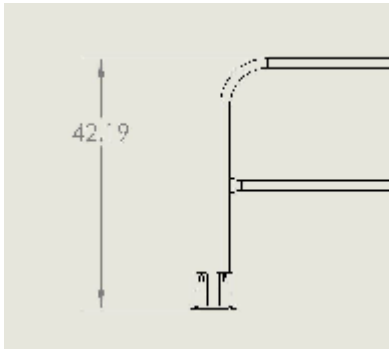
# MOUNTING BRACKET OPTIONS



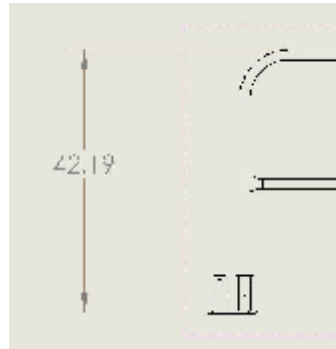
MOBILE BASE  
1. PART NUMBER 420068



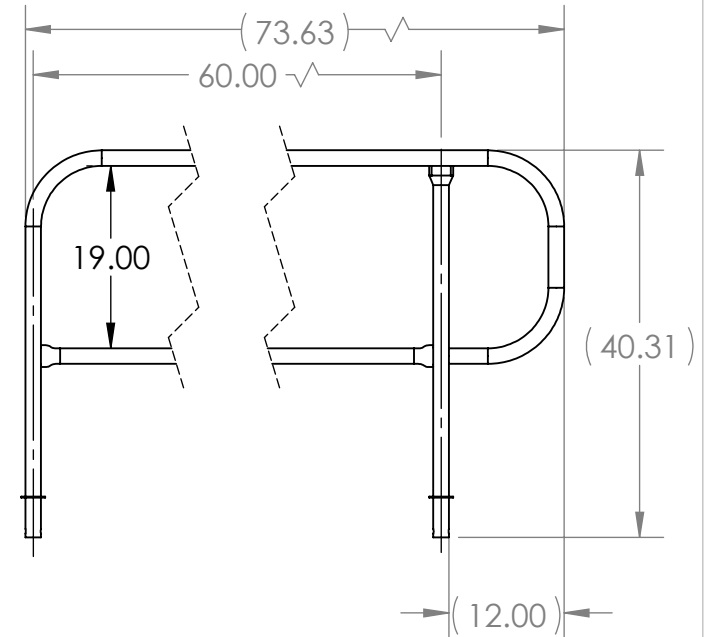
PERMANENT MOUNT BRACKET  
SINGLE  
2. PART NUMBER 400033



PERMANENT MOUNT BRACKET  
DOUBLE  
3. PART NUMBER 400035



PERMANENT MOUNT BRACKET  
CORNER  
4. PART NUMBER 400037



**PROPRIETARY AND CONFIDENTIAL**

THE INFORMATION CONTAINED IN THIS DRAWING IS THE SOLE PROPERTY OF SAFETY RAIL COMPANY LLC. ANY REPRODUCTION IN PART OR AS A WHOLE WITHOUT THE WRITTEN PERMISSION OF SAFETY RAIL COMPANY LLC IS PROHIBITED.

		UNLESS OTHERWISE SPECIFIED:	NAME	DATE
		DIMENSIONS ARE IN INCHES	DRAWN	GHJ
		TOLERANCES:	CHECKED	05/05/17
		FRACTIONAL ±	ENG APPR.	
		ANGULAR: MACH ± BEND ±	MFG APPR.	
		TWO PLACE DECIMAL ±	Q.A.	
		THREE PLACE DECIMAL ±	COMMENTS:	
		INTERPRET GEOMETRIC TOLERANCING PER:		
		MATERIAL		
		FINISH		
		PCOAT AERO YEL		
NEXT ASSY	USED ON	DO NOT SCALE DRAWING		
APPLICATION				

TITLE:		
6' FINISH RAIL		
SIZE	DWG. NO.	REV
<b>A</b>	<b>400264A</b>	
SCALE: 1:20	WEIGHT:	SHEET 1 OF 1