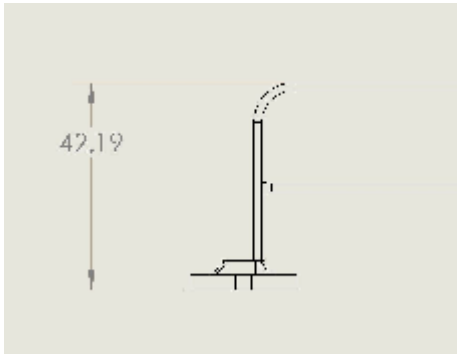
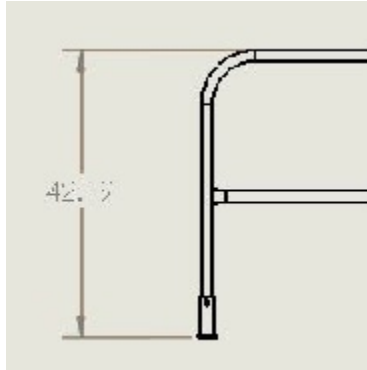


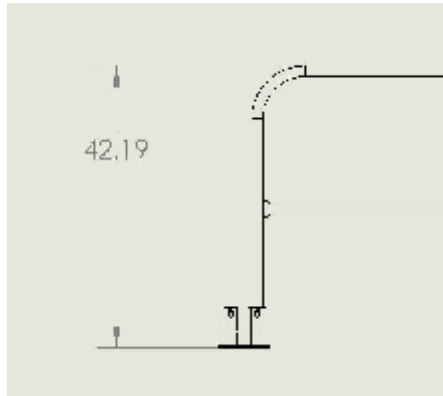
MOUNTING BRACKET OPTIONS



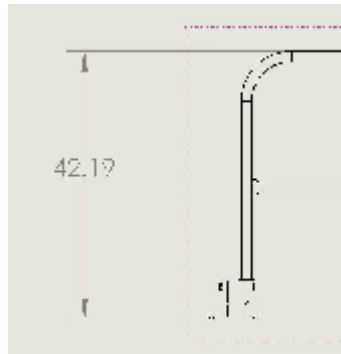
1. MOBILE BASE
PART NUMBER 420068



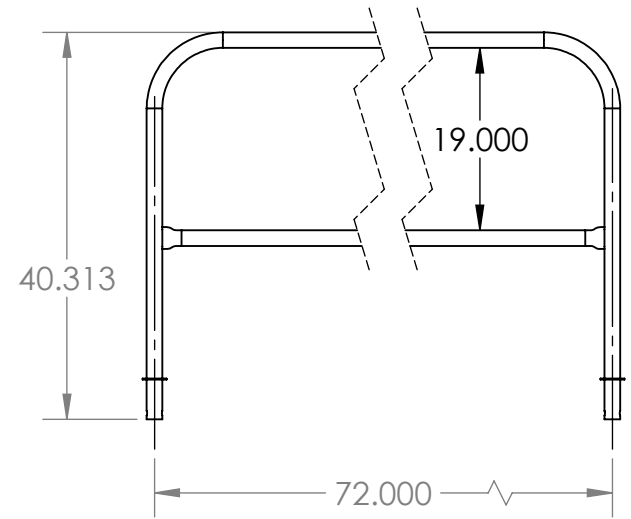
2. PERMANENT MOUNT BRACKET
SINGLE
PART NUMBER 400033



3. PERMANENT MOUNT BRACKET
DOUBLE
PART NUMBER 400035



4. PERMANENT MOUNT BRACKET
CORNER
PART NUMBER 400037



PROPRIETARY AND CONFIDENTIAL
THE INFORMATION CONTAINED IN THIS DRAWING IS THE SOLE PROPERTY OF SAFETY RAIL COMPANY. ANY REPRODUCTION IN PART OR AS A WHOLE WITHOUT THE WRITTEN PERMISSION OF SAFETY RAIL COMPANY, IS PROHIBITED.

			UNLESS OTHERWISE SPECIFIED:		NAME	DATE
			DIMENSIONS ARE IN INCHES	DRAWN	TN	06/26/14
			TOLERANCES:	CHECKED		
			FRACTIONAL ±	ENG APPR.		
			ANGULAR: MACH ± BEND ±	MFG APPR.		
			TWO PLACE DECIMAL ±	Q.A.		
			THREE PLACE DECIMAL ±	COMMENTS:		
			INTERPRET GEOMETRIC TOLERANCING PER:	SRC STANDARDS: AWS D1.3 Use only ER70S-6 wire. 75/25 Mig Gas		
			MATERIAL			
	NEXT ASSY	USED ON	FINISH			
			PCOAT SAFETY YELLOW			
	APPLICATION		DO NOT SCALE DRAWING			

TITLE:		
<h1>6' RAIL</h1>		
SIZE	DWG. NO.	REV
A	400004A	
SCALE: 1:20	WEIGHT:	SHEET 1 OF 1