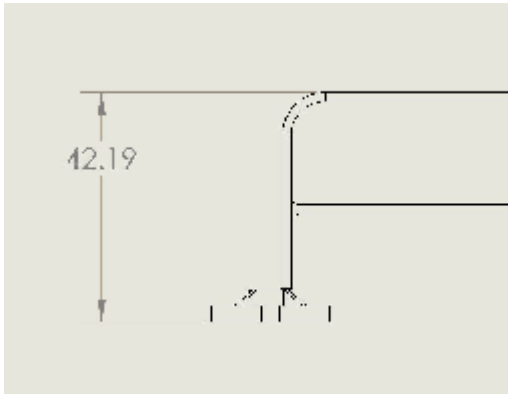
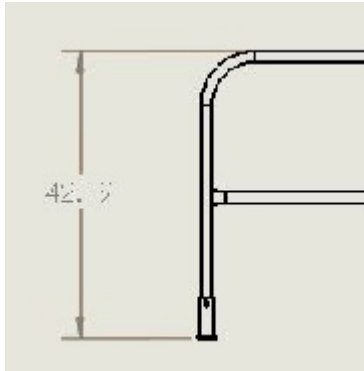


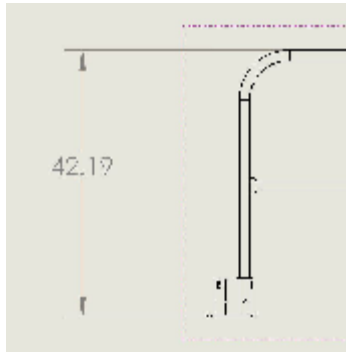
MOUNTING BRACKET OPTIONS



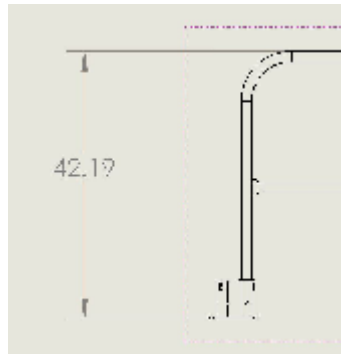
1. MOBILE BASE
PART NUMBER 420068



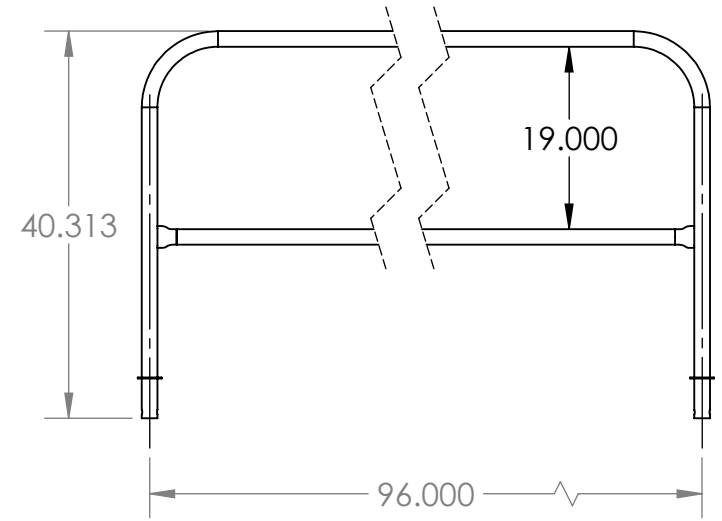
2. PERMANENT MOUNT BRACKET
SINGLE
PART NUMBER 400033



3. PERMANENT MOUNT BRACKET
DOUBLE
PART NUMBER 400035



4. PERMANENT MOUNT BRACKET
CORNER
PART NUMBER 400037



PROPRIETARY AND CONFIDENTIAL
THE INFORMATION CONTAINED IN THIS DRAWING IS THE SOLE PROPERTY OF SAFETY RAIL COMPANY. ANY REPRODUCTION IN PART OR AS A WHOLE WITHOUT THE WRITTEN PERMISSION OF SAFETY RAIL COMPANY, IS PROHIBITED.

		UNLESS OTHERWISE SPECIFIED:	NAME	DATE
		DIMENSIONS ARE IN INCHES	DRAWN	TN 06/26/14
		TOLERANCES:	CHECKED	
		FRACTIONAL ±	ENG APPR.	
		ANGULAR: MACH ± BEND ±	MFG APPR.	
		TWO PLACE DECIMAL ±	Q.A.	
		THREE PLACE DECIMAL ±	COMMENTS:	
		INTERPRET GEOMETRIC TOLERANCING PER:	SRC STANDARDS:	
		MATERIAL	AWS D1.3	
NEXT ASSY	USED ON	FINISH	Use only ER70S-6 wire.	
		PCOAT AERO YELLOW	75/25 Mig Gas	
APPLICATION		DO NOT SCALE DRAWING		

TITLE:		
8' RAIL		
SIZE	DWG. NO.	REV
A	400007A	
SCALE: 1:20	WEIGHT:	SHEET 1 OF 1