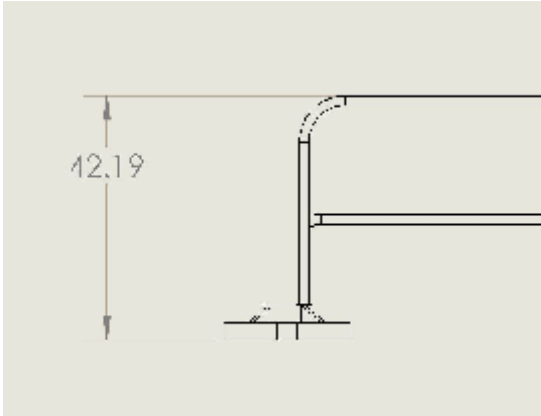
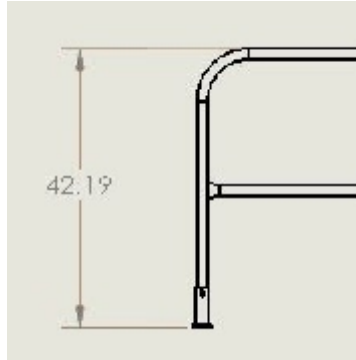


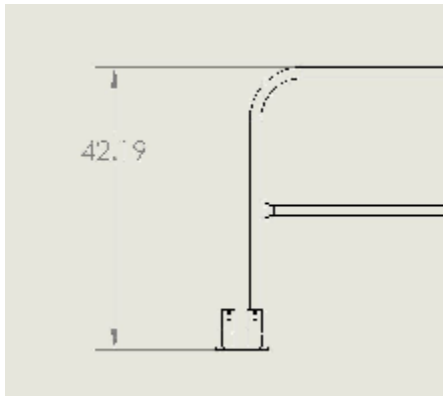
# MOUNTING BRACKET OPTIONS



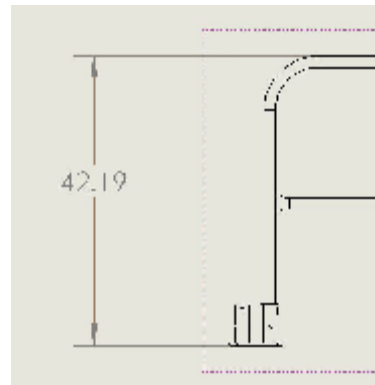
MOBILE BASE  
1. PART NUMBER 420068



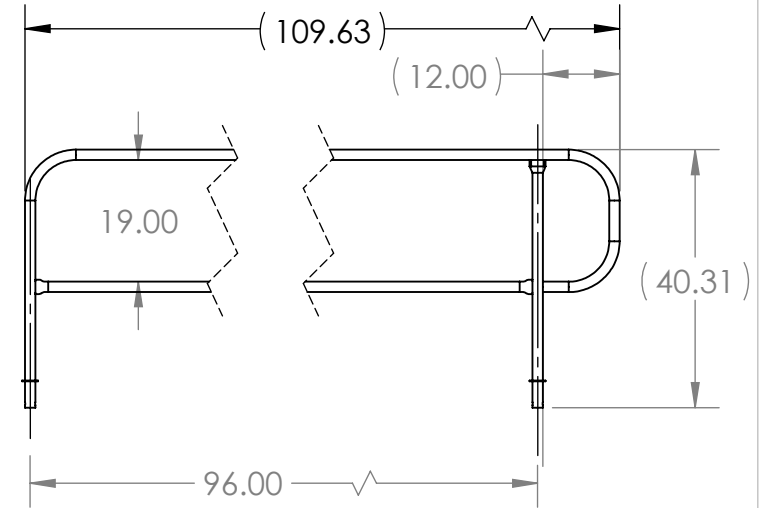
PERMANENT MOUNT BRACKET  
SINGLE  
2. PART NUMBER 400033



PERMANENT MOUNT BRACKET  
DOUBLE  
3. PART NUMBER 400035



PERMANENT MOUNT BRACKET  
CORNER  
4. PART NUMBER 400037



**PROPRIETARY AND CONFIDENTIAL**  
THE INFORMATION CONTAINED IN THIS DRAWING IS THE SOLE PROPERTY OF SAFETY RAIL COMPANY LLC. ANY REPRODUCTION IN PART OR AS A WHOLE WITHOUT THE WRITTEN PERMISSION OF SAFETY RAIL COMPANY LLC IS PROHIBITED.

		UNLESS OTHERWISE SPECIFIED:
		DIMENSIONS ARE IN INCHES
		TOLERANCES:
		FRACTIONAL ±
		ANGULAR: MACH ± BEND ±
		TWO PLACE DECIMAL ±
		THREE PLACE DECIMAL ±
		INTERPRET GEOMETRIC TOLERANCING PER:
		MATERIAL
		FINISH
		PCOAT SAFETY YEL
NEXT ASSY	USED ON	
APPLICATION		DO NOT SCALE DRAWING

	NAME	DATE
DRAWN	GHJ	5/4/2017
CHECKED		
ENG APPR.		
MFG APPR.		
Q.A.		
COMMENTS:		

TITLE:		
9' FINISH RAIL		
SIZE	DWG. NO.	REV
<b>A</b>	<b>400245A</b>	
SCALE: 1:30	WEIGHT:	SHEET 1 OF 1