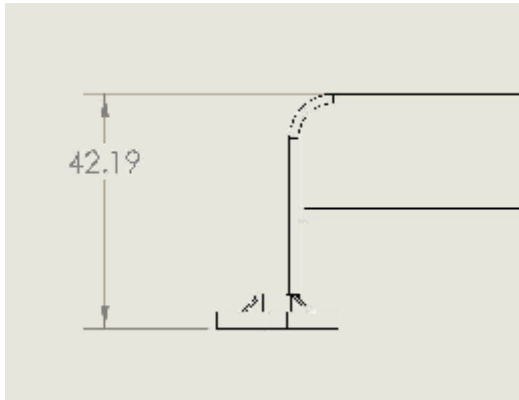
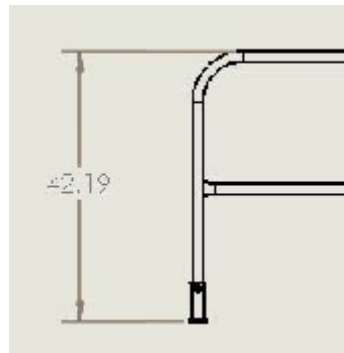


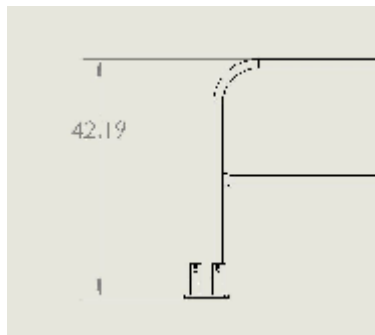
MOUNTING BRACKET OPTIONS



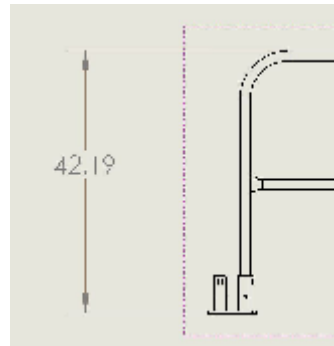
MOBILE BASE
1. PART NUMBER 420068



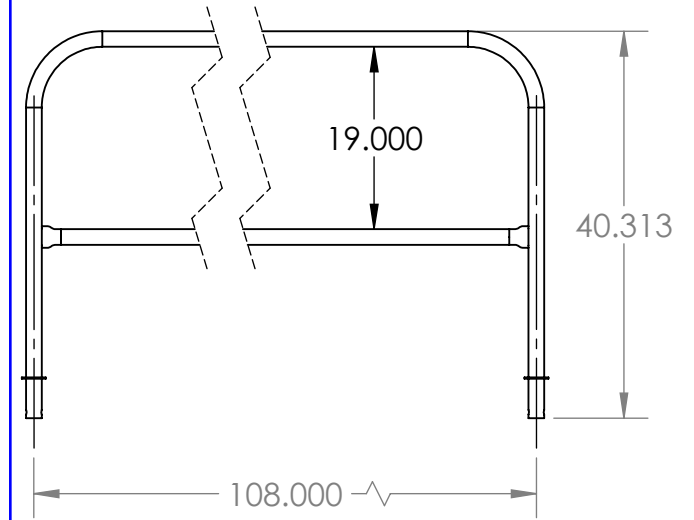
PERMANENT MOUNT BRACKET
SINGLE
2. PART NUMBER 400033



PERMANENT MOUNT BRACKET
DOUBLE
3. PART NUMBER 400035



PERMANENT MOUNT BRACKET
CORNER
4. PART NUMBER 400037



PROPRIETARY AND CONFIDENTIAL
THE INFORMATION CONTAINED IN THIS DRAWING IS THE SOLE PROPERTY OF SAFETY RAIL COMPANY. ANY REPRODUCTION IN PART OR AS A WHOLE WITHOUT THE WRITTEN PERMISSION OF SAFETY RAIL COMPANY, IS PROHIBITED.

			UNLESS OTHERWISE SPECIFIED:	NAME	DATE
			DIMENSIONS ARE IN INCHES	DRAWN	TN 06/26/14
			TOLERANCES:	CHECKED	
			FRACTIONAL ±	ENG APPR.	
			ANGULAR: MACH ± BEND ±	MFG APPR.	
			TWO PLACE DECIMAL ±	Q.A.	
			THREE PLACE DECIMAL ±	COMMENTS:	
			INTERPRET GEOMETRIC TOLERANCING PER:	SRC STANDARDS: AWS D1.3 Use only ER70S-6 wire. 75/25 Mig Gas	
			MATERIAL		
			FINISH		
			PCOAT AERO YELLOW		
	NEXT ASSY	USED ON	DO NOT SCALE DRAWING		
	APPLICATION				

TITLE:		
<h1>9' RAIL</h1>		
SIZE	DWG. NO.	REV
A	400008A	
SCALE: 1:20	WEIGHT:	SHEET 1 OF 1