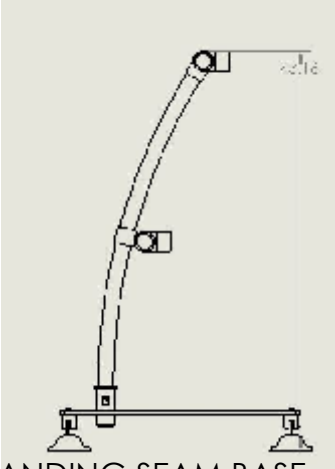
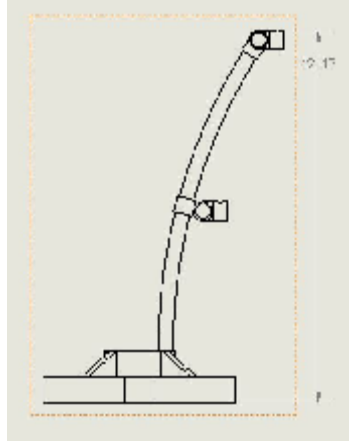


OPTIONAL BASES ONLY



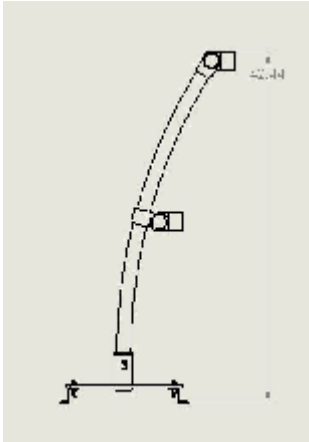
STANDING SEAM BASE

1. 24" - PART NUMBER 400341
2. 16-18" - PART NUMBER 700745



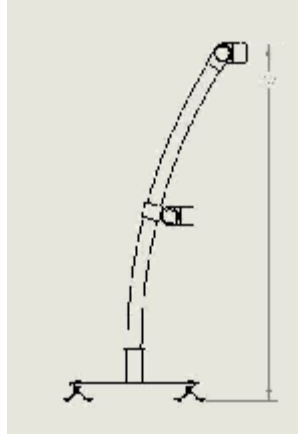
MOBILE BASE

3. PART NUMBER 420068



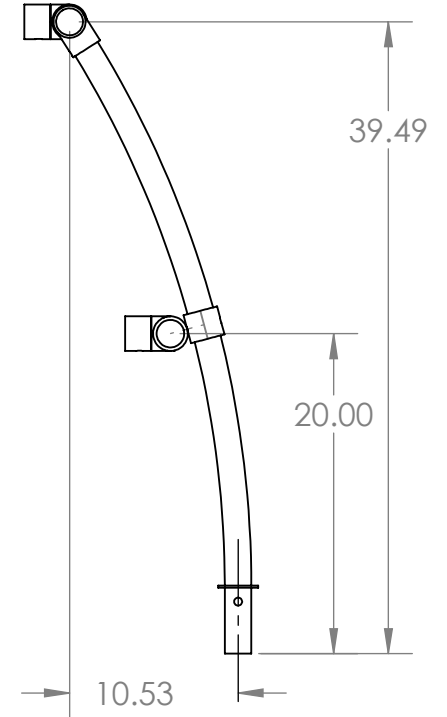
R-PANEL DECK BASE

4. PART NUMBER 400153



CORRUGATED DECK BASE

5. PART NUMBER 400751



PROPRIETARY AND CONFIDENTIAL
 THE INFORMATION CONTAINED IN THIS DRAWING IS THE SOLE PROPERTY OF SAFETY RAIL COMPANY. ANY REPRODUCTION IN PART OR AS A WHOLE WITHOUT THE WRITTEN PERMISSION OF SAFETY RAIL COMPANY IS PROHIBITED.

		UNLESS OTHERWISE SPECIFIED:	NAME	DATE
		DIMENSIONS ARE IN INCHES	DRAWN	GHJ 04/27/17
		TOLERANCES:	CHECKED	
		FRACTIONAL ±	ENG APPR.	
		ANGULAR: MACH ± BEND ±	MFG APPR.	
		TWO PLACE DECIMAL ±	Q.A.	
		THREE PLACE DECIMAL ±	COMMENTS:	
		INTERPRET GEOMETRIC TOLERANCING PER:	SRC STANDARDS:	
		MATERIAL	AWS D1.3	
NEXT ASSY	USED ON	FINISH	Use only ER70S-6 wire.	
		PCOAT SAFETY YEL	75/25 Mig Gas	
APPLICATION		DO NOT SCALE DRAWING		

TITLE:		
ACCU-FIT CORNER STANCHION W/FITTINGS		
SIZE	DWG. NO.	REV
A	400765A	
SCALE: 1:12	WEIGHT:	SHEET 1 OF 1