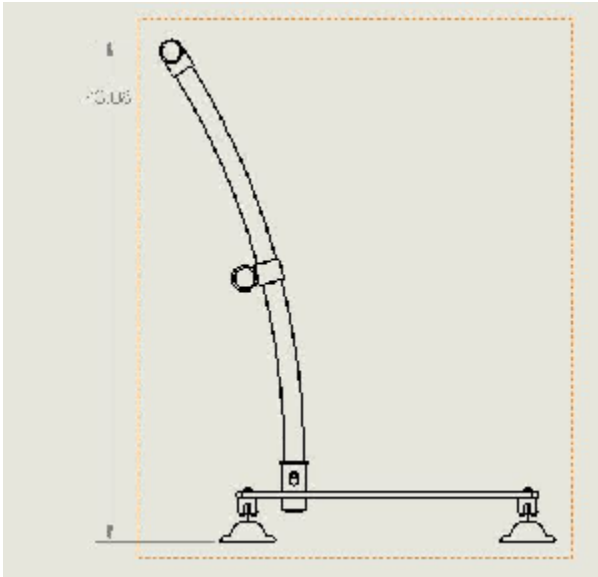
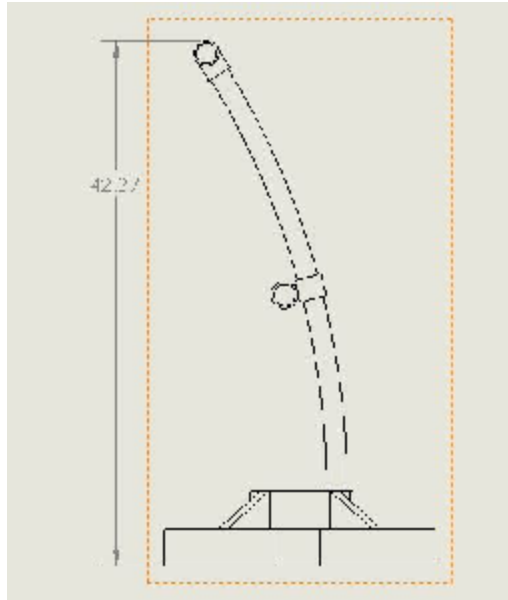


OPTIONAL BASES ONLY



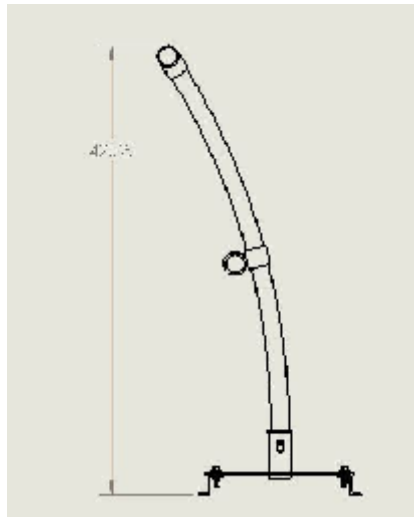
STANDING SEAM BASE

1. 24" - PART NUMBER 400341
2. 16-18" - PART NUMBER 700745



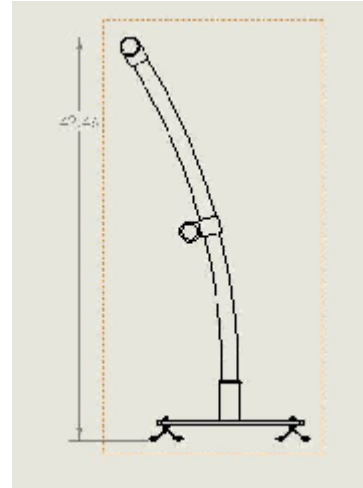
MOBILE BASE

3. PART NUMBER 420068



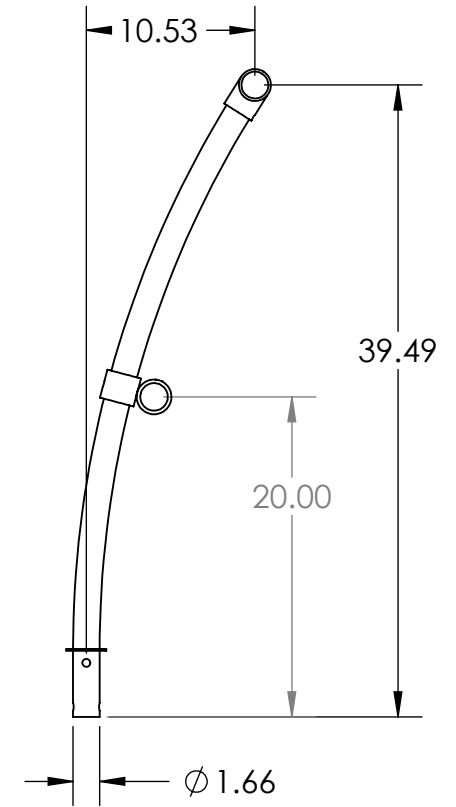
R-PANEL DECK BASE

4. PART NUMBER 400153



CORRUGATED DECK BASE

5. PART NUMBER 400751



TITLE:
ACCU-FIT ARCH INTERMEDIATE STANCHION (GALV & YEL)

SIZE A	DWG. NO. 400760A	REV
------------------	----------------------------	-----

SCALE: 1:12	WEIGHT:	SHEET 1 OF 1
-------------	---------	--------------

Safety Rail Company LLC Toll Free: 888-434-2720
 4244 Shoreline Dr. Tel: 952-471-0950
 P.O. Box 427 Fax: 888-471-4931
 Spring Park, MN 55384 www.safetyrailcompany.com
 info@safetyrailcompany.com