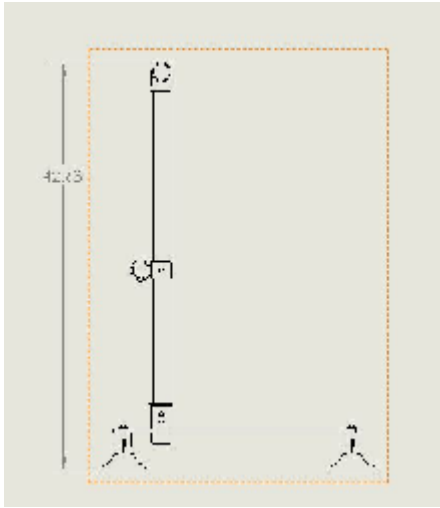
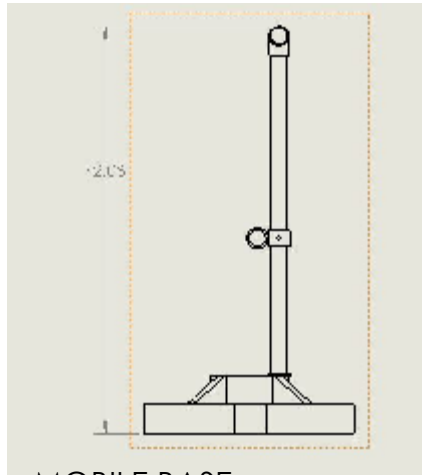


# OPTIONAL BASES ONLY



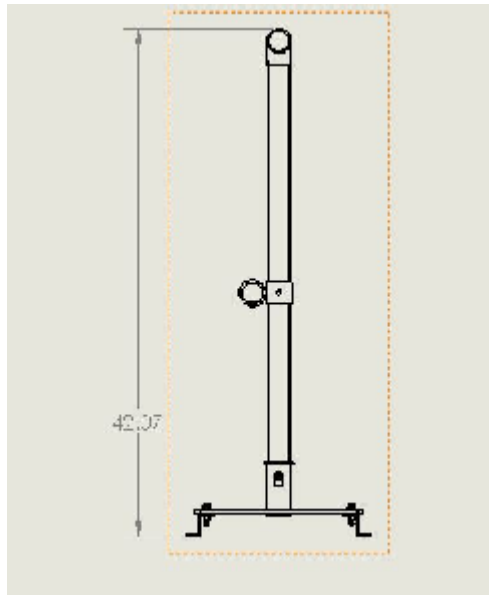
STANDING SEAM BASE

1. 24" - PART NUMBER 400341
2. 16-18" - PART NUMBER 700745



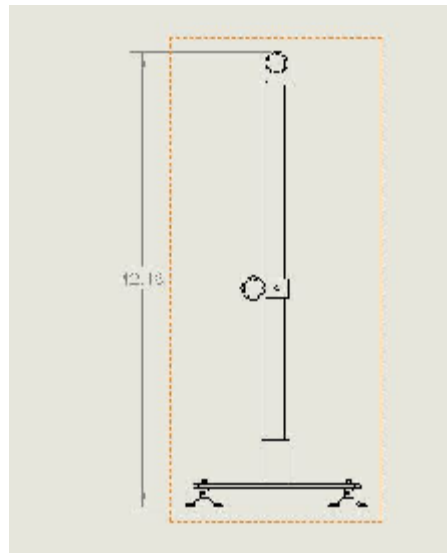
MOBILE BASE

3. PART NUMBER 420068



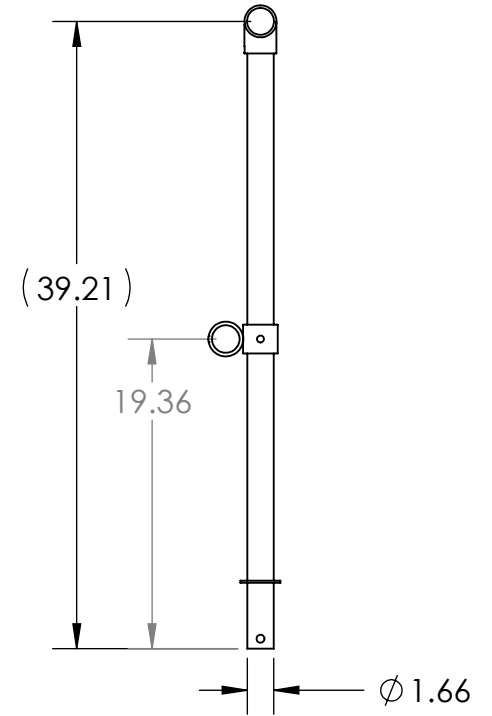
R-PANEL DECK BASE

4. PART NUMBER 400153



CORRUGATED DECK BASE

5. PART NUMBER 400751



TITLE:

ACCU-FIT STRAIGHT INTERMEDIATE (GALV & YEL)

SIZE	DWG. NO.	REV
<b>A</b>	<b>400754A</b>	

SCALE: 1:12 WEIGHT: SHEET 1 OF 1

**Safety Rail Company LLC.**  
 4244 Shoreline Dr.  
 P.O. Box 427  
 Spring Park, MN 55384

Toll Free: 888-434-2720  
 Tel: 952-471-0950  
 Fax: 888-471-4931  
 www.safetyrailcompany.com  
 info@safetyrailcompany.com