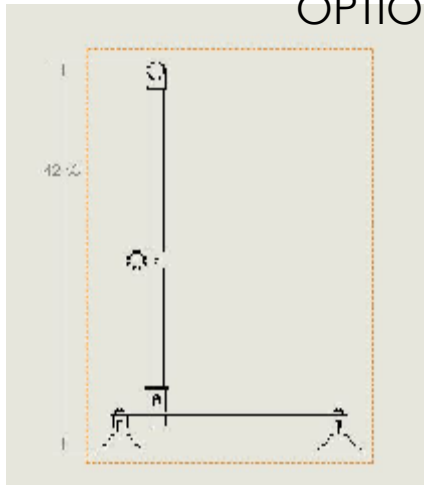
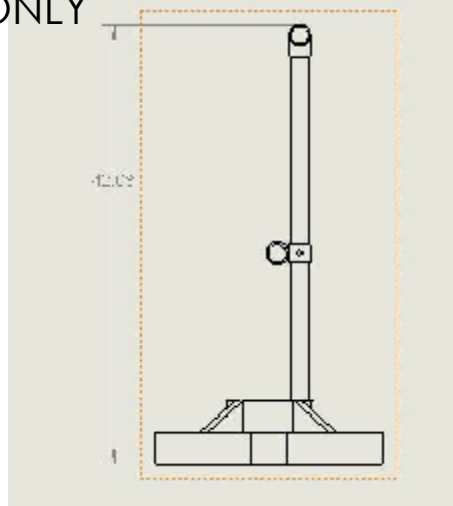


# OPTIONAL BASES ONLY



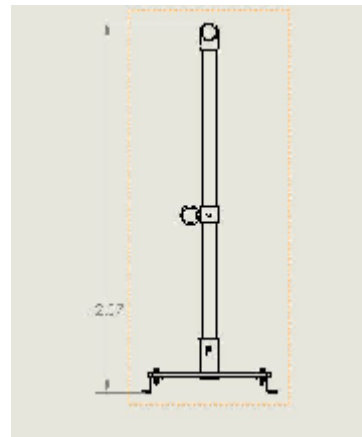
STANDING SEAM BASE

1. 24" - PART NUMBER 400341
2. 16-18" - PART NUMBER 700745



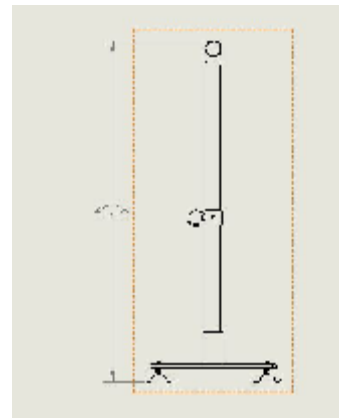
MOBILE BASE

3. PART NUMBER 420068



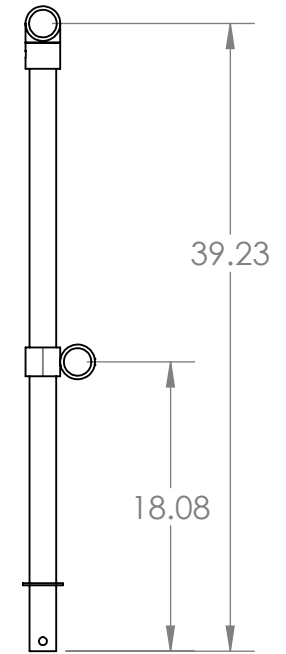
R-PANEL DECK BASE

4. PART NUMBER 400153



CORRUGATED DECK BASE

5. PART NUMBER 400751



**PROPRIETARY AND CONFIDENTIAL**

THE INFORMATION CONTAINED IN THIS DRAWING IS THE SOLE PROPERTY OF SAFETY RAIL COMPANY. ANY REPRODUCTION IN PART OR AS A WHOLE WITHOUT THE WRITTEN PERMISSION OF SAFETY RAIL COMPANY IS PROHIBITED.

		UNLESS OTHERWISE SPECIFIED:	NAME	DATE
		DIMENSIONS ARE IN INCHES	DRAWN	GHJ 04/27/17
		TOLERANCES:	CHECKED	
		FRACTIONAL ±	ENG APPR.	
		ANGULAR: MACH ± BEND ±	MFG APPR.	
		TWO PLACE DECIMAL ±	Q.A.	
		THREE PLACE DECIMAL ±	COMMENTS:	
		INTERPRET GEOMETRIC TOLERANCING PER:	SRC STANDARDS:	
		MATERIAL	AWS D1.3	
NEXT ASSY	USED ON	FINISH	Use only ER70S-6 wire.	
		PCOAT SAFETY YEL	75/25 Mig Gas	
APPLICATION		DO NOT SCALE DRAWING		

TITLE:  
**ACCU-FIT START/END STACHION W/ FITTINGS**

SIZE DWG. NO. REV  
**A 400755A**

SCALE: 1:12 WEIGHT: SHEET 1 OF 1