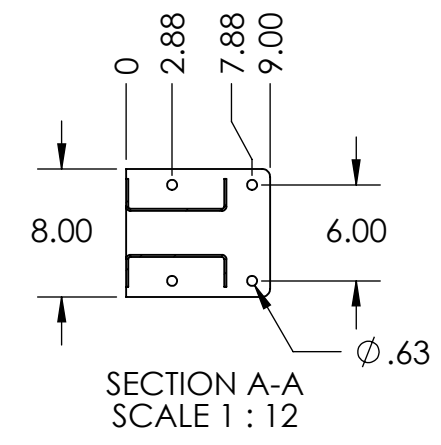
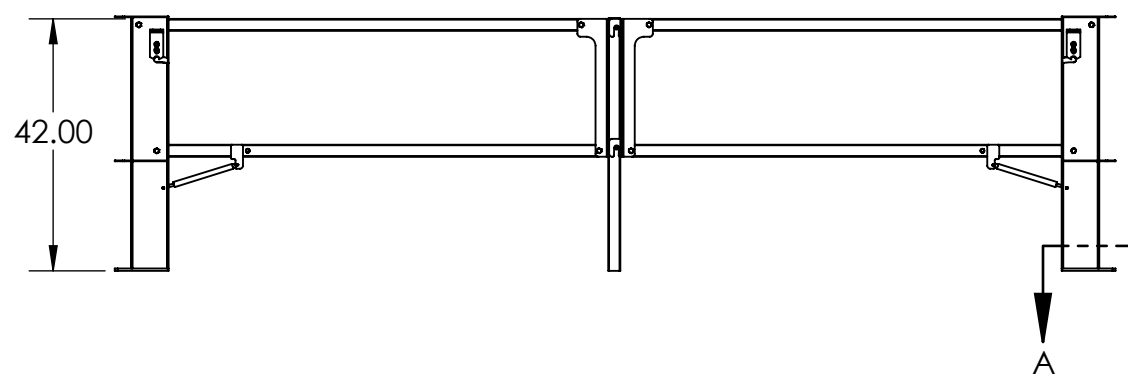
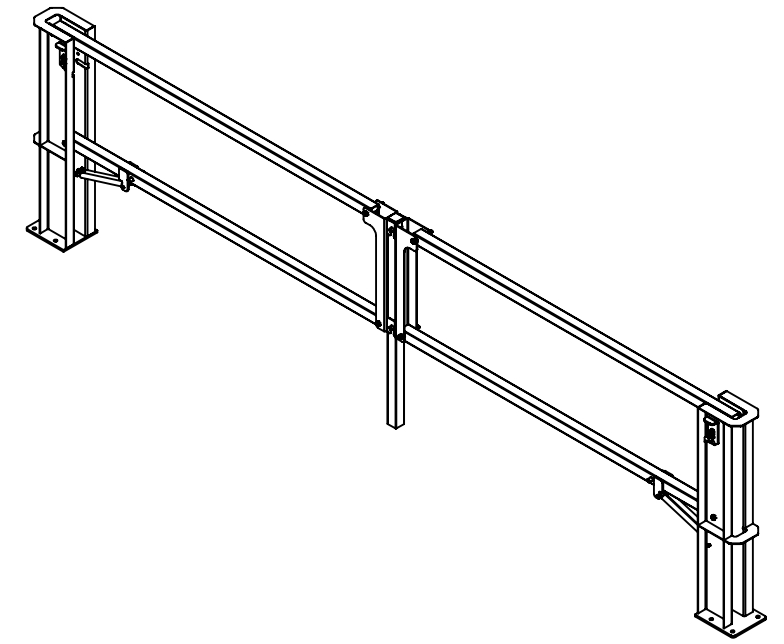
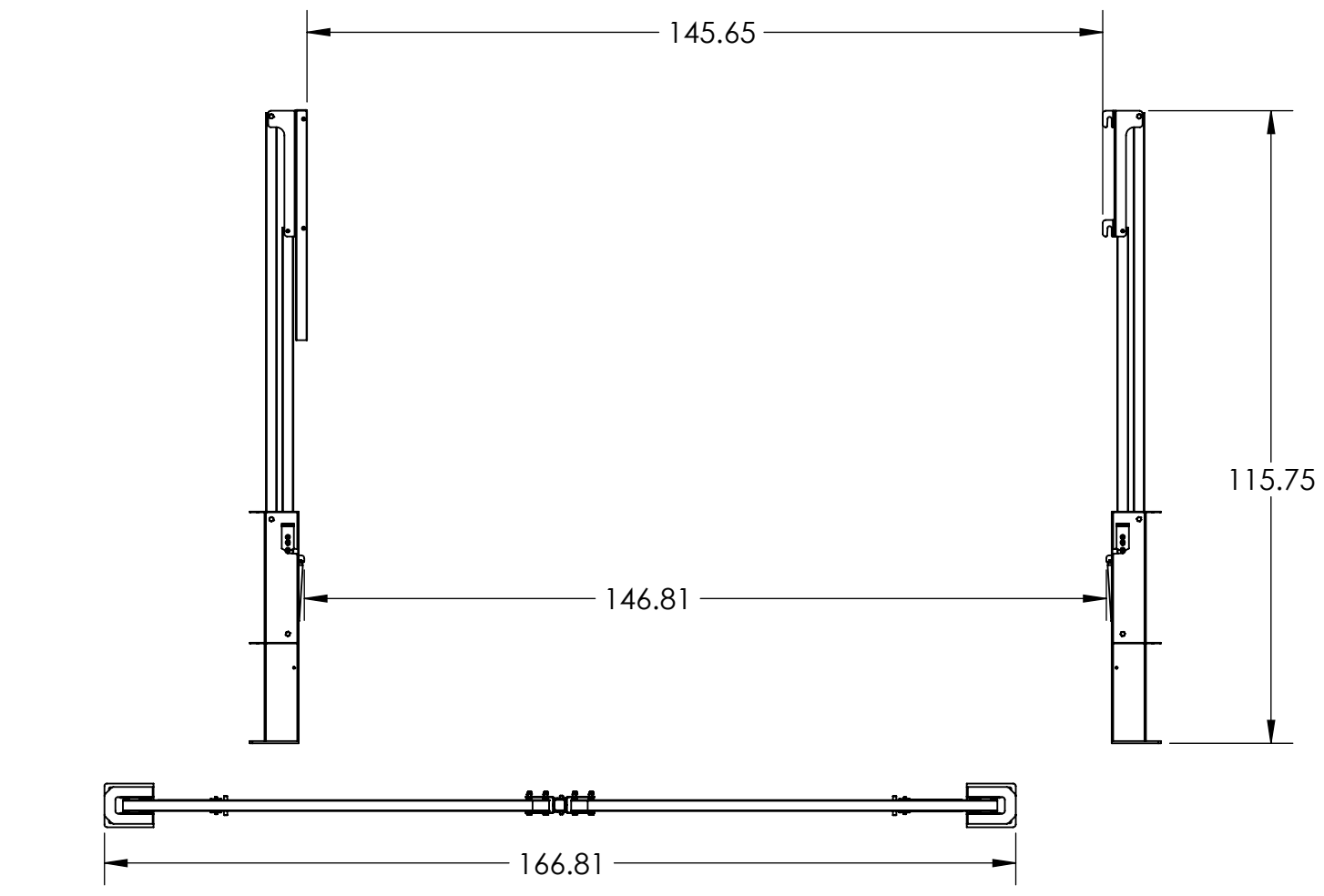


8 7 6 5 4 3 2 1

D
C
B
A



D
C
B
A

Safety Rail Company LLC.
 4244 Shoreline Dr.
 P.O. Box 427
 Spring Park, MN 55384

Toll Free: 888-434-2720
 Tel: 952-471-0950
 Fax: 888-471-4931
 www.safetyrailcompany.com
 info@safetyrailcompany.com

TITLE: 12' CANTILEVER GATE DOUBLE		REV
SIZE	DWG. NO.	REV
B	400630A	C
SCALE: 1:32 WEIGHT:		SHEET 1 OF 1

8 7 6 5 4 3 2 1