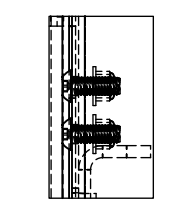
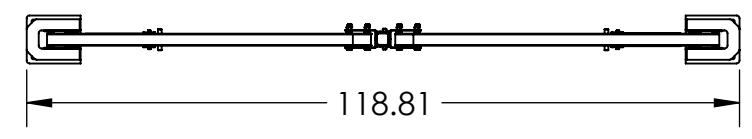
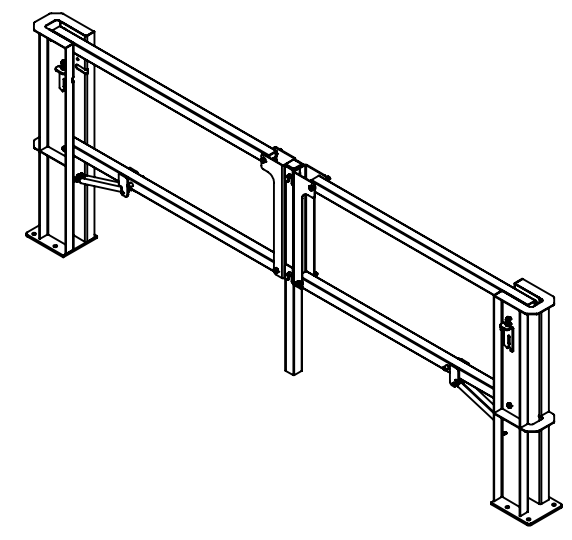
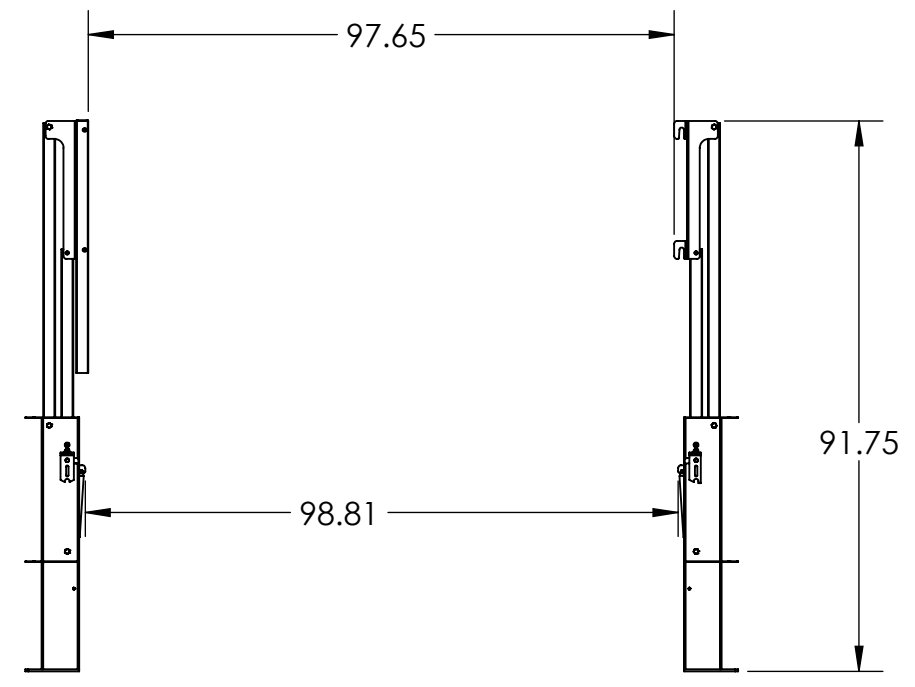


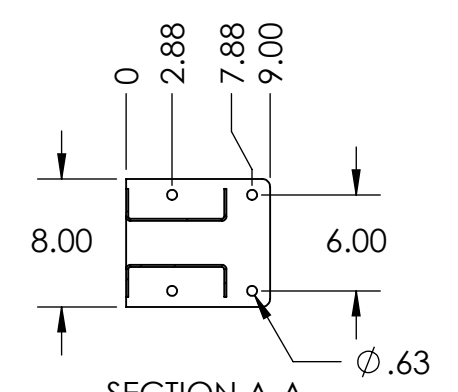
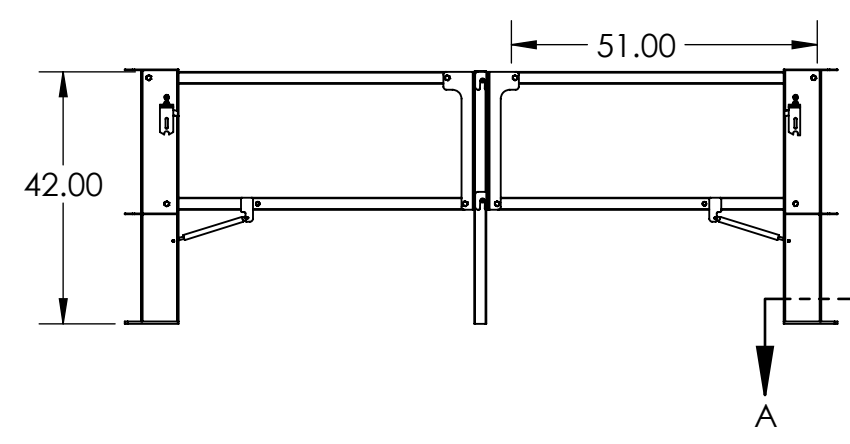
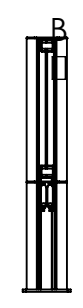
8 7 6 5 4 3 2 1

D
C
B
A

D
C
B
A



DETAIL B
SCALE 1 : 4



SECTION A-A
SCALE 1 : 12

Safety Rail Company LLC.
4244 Shoreline Dr.
P.O. Box 427
Spring Park, MN 55384

Toll Free: 888-434-2720
Tel: 952-471-0950
Fax: 888-471-4931
www.safetyrailcompany.com
info@safetyrailcompany.com

TITLE:	8' CANTILEVER GATE DOUBLE	
SIZE	DWG. NO.	REV
B	400629A	A
SCALE: 1:32	WEIGHT:	SHEET 1 OF 1

8 7 6 5 4 3 2 1