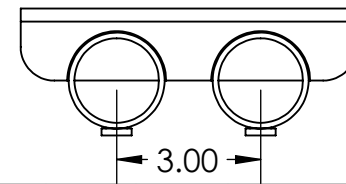
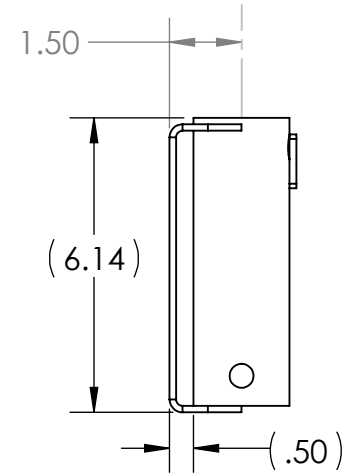
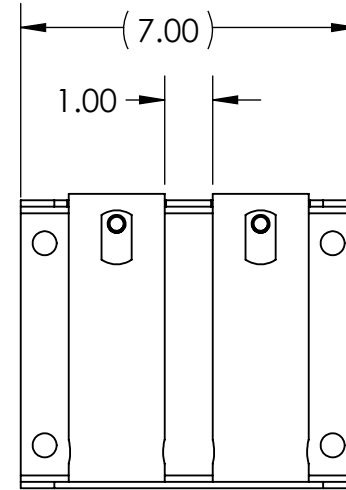


HOLES CONCENTRIC



**PROPRIETARY AND CONFIDENTIAL**  
 THE INFORMATION CONTAINED IN THIS DRAWING IS THE SOLE PROPERTY OF SAFETY RAIL COMPANY. ANY REPRODUCTION IN PART OR AS A WHOLE WITHOUT THE WRITTEN PERMISSION OF SAFETY RAIL COMPANY IS PROHIBITED.

		UNLESS OTHERWISE SPECIFIED:	NAME	DATE	TITLE: <b>FACE MOUNT DOUBLE</b>
		DIMENSIONS ARE IN INCHES	DRAWN		
		TOLERANCES: FRACTIONAL ±	CHECKED		
		ANGULAR: MACH ± BEND ±	ENG APPR.		
		TWO PLACE DECIMAL ± THREE PLACE DECIMAL ±	MFG APPR.		
		INTERPRET GEOMETRIC TOLERANCING PER:	Q.A.		SIZE DWG. NO. REV <b>A 400016</b>
		MATERIAL	COMMENTS: SRC STANDARDS: AWS D1.3 Use only ER70S-6 wire. 75/25 Mig Gas		
NEXT ASSY	USED ON	FINISH PCOAT AERO YEL			SCALE: 1:4
APPLICATION		DO NOT SCALE DRAWING			WEIGHT:
					SHEET 1 OF 1