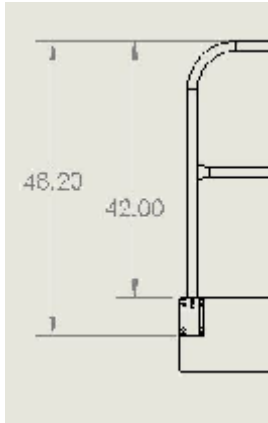
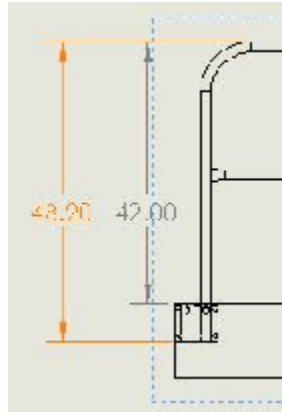


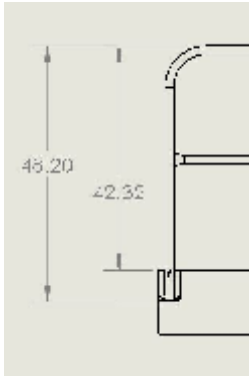
MOUNTING BRACKET OPTIONS



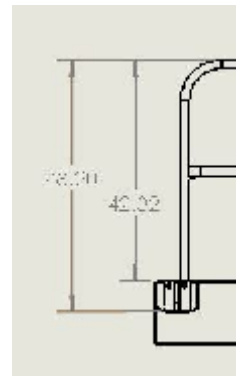
1. FACEMOUNT BRACKET SINGLE
PART NUMBER 400036



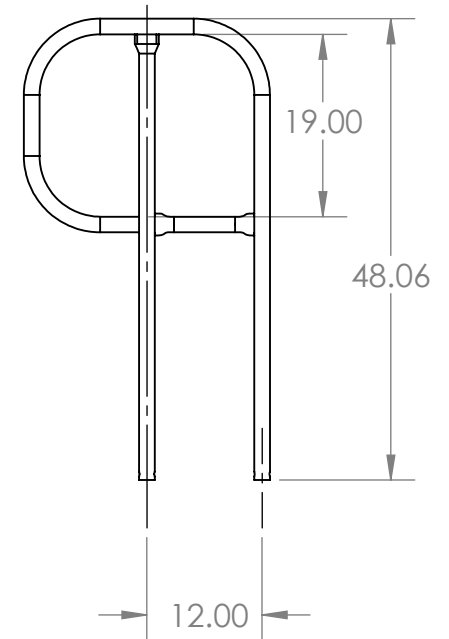
2. FACEMOUNT BRACKET DOUBLE
PART NUMBER 400016



3. FLUSHMOUNT BRACKET SINGLE
PART NUMBER 400055



4. FLUSHMOUNT BRACKET DOUBLE
PART NUMBER 400028



PROPRIETARY AND CONFIDENTIAL
THE INFORMATION CONTAINED IN THIS DRAWING IS THE SOLE PROPERTY OF SAFETY RAIL COMPANY LLC. ANY REPRODUCTION IN PART OR AS A WHOLE WITHOUT THE WRITTEN PERMISSION OF SAFETY RAIL COMPANY LLC IS PROHIBITED.

		UNLESS OTHERWISE SPECIFIED:	NAME	DATE
		DIMENSIONS ARE IN INCHES	DRAWN	GHJ 5/5/2017
		TOLERANCES:	CHECKED	
		FRACTIONAL ±	ENG APPR.	
		ANGULAR: MACH ± BEND ±	MFG APPR.	
		TWO PLACE DECIMAL ±	Q.A.	
		THREE PLACE DECIMAL ±	COMMENTS:	
		INTERPRET GEOMETRIC TOLERANCING PER:		
		MATERIAL		
NEXT ASSY	USED ON	FINISH		
APPLICATION		DO NOT SCALE DRAWING		

TITLE:		
2' FINISH PIT RAIL		
SIZE	DWG. NO.	REV
A	400250A	
SCALE: 1:20	WEIGHT:	SHEET 1 OF 1