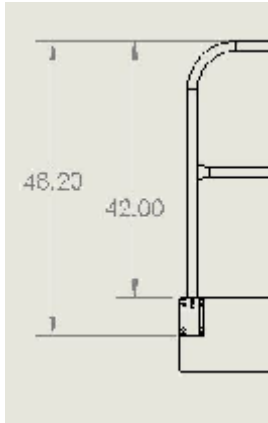
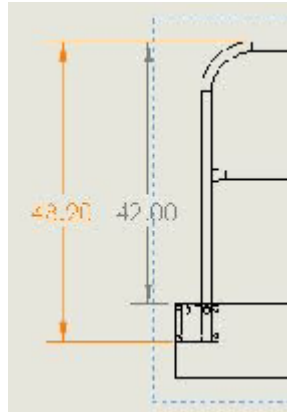


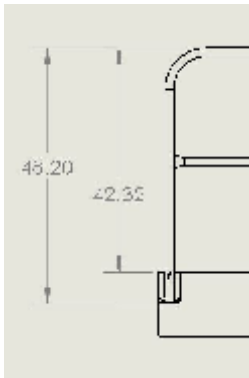
# MOUNTING BRACKET OPTIONS



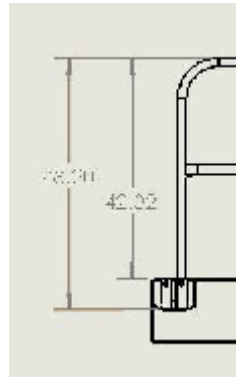
1. FACEMOUNT BRACKET SINGLE  
PART NUMBER 400036



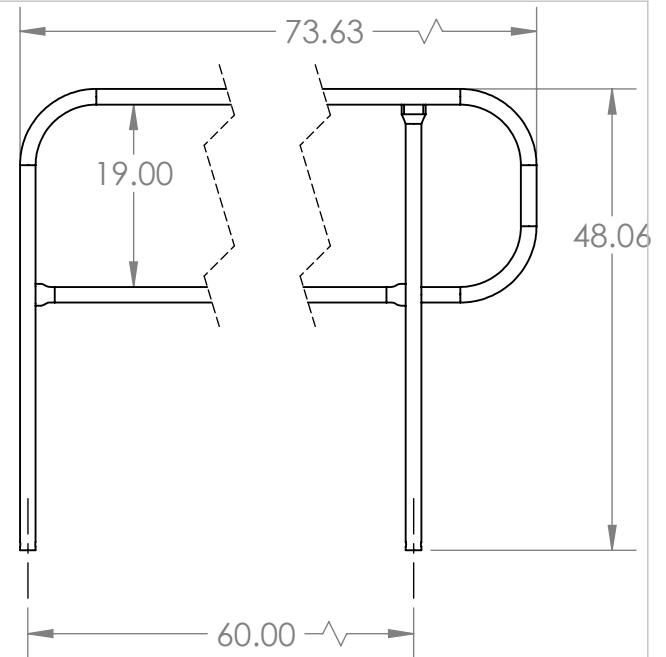
2. FACEMOUNT BRACKET DOUBLE  
PART NUMBER 400016



3. FLUSHMOUNT BRACKET SINGLE  
PART NUMBER 400055



4. FLUSHMOUNT BRACKET DOUBLE  
PART NUMBER 400028



**PROPRIETARY AND CONFIDENTIAL**  
THE INFORMATION CONTAINED IN THIS DRAWING IS THE SOLE PROPERTY OF SAFETY RAIL COMPANY. ANY REPRODUCTION IN PART OR AS A WHOLE WITHOUT THE WRITTEN PERMISSION OF SAFETY RAIL COMPANY IS PROHIBITED.

|  |             |         |                                      |                        |      |          |
|--|-------------|---------|--------------------------------------|------------------------|------|----------|
|  |             |         | UNLESS OTHERWISE SPECIFIED:          |                        | NAME | DATE     |
|  |             |         | DIMENSIONS ARE IN INCHES             | DRAWN                  | GHJ  | 04/27/17 |
|  |             |         | TOLERANCES:                          | CHECKED                |      |          |
|  |             |         | FRACTIONAL ±                         | ENG APPR.              |      |          |
|  |             |         | ANGULAR: MACH ± BEND ±               | MFG APPR.              |      |          |
|  |             |         | TWO PLACE DECIMAL ±                  | Q.A.                   |      |          |
|  |             |         | THREE PLACE DECIMAL ±                | COMMENTS:              |      |          |
|  |             |         | INTERPRET GEOMETRIC TOLERANCING PER: | SRC STANDARDS:         |      |          |
|  |             |         | MATERIAL                             | AWS D1.3               |      |          |
|  |             |         | FINISH                               | Use only ER70S-6 wire. |      |          |
|  |             |         | PCOAT SAFETY YEL                     | 75/25 Mig Gas          |      |          |
|  | NEXT ASSY   | USED ON |                                      |                        |      |          |
|  | APPLICATION |         | DO NOT SCALE DRAWING                 |                        |      |          |

|                    |                |              |
|--------------------|----------------|--------------|
| TITLE:             |                |              |
| 6' FINISH PIT RAIL |                |              |
| SIZE               | DWG. NO.       | REV          |
| <b>A</b>           | <b>400148A</b> |              |
| SCALE: 1:20        | WEIGHT:        | SHEET 1 OF 1 |