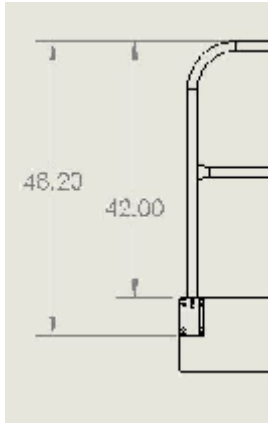
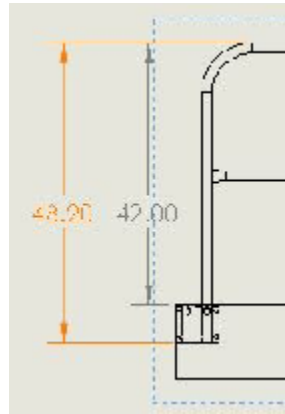


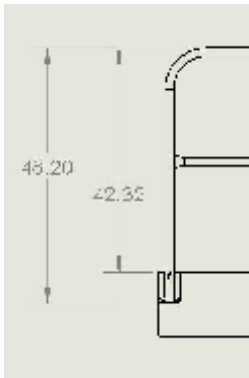
# MOUNTING BRACKET OPTIONS



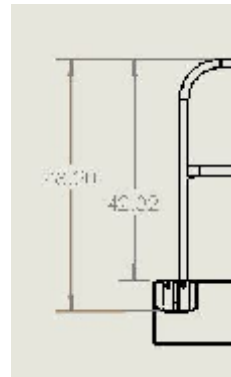
1. FACEMOUNT BRACKET SINGLE  
PART NUMBER 400036



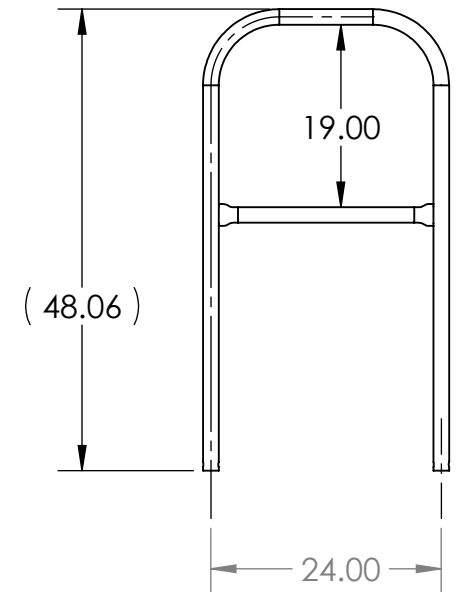
2. FACEMOUNT BRACKET DOUBLE  
PART NUMBER 400016



3. FLUSHMOUNT BRACKET SINGLE  
PART NUMBER 400055



4. FLUSHMOUNT BRACKET DOUBLE  
PART NUMBER 400028



**PROPRIETARY AND CONFIDENTIAL**  
THE INFORMATION CONTAINED IN THIS DRAWING IS THE SOLE PROPERTY OF SAFETY RAIL COMPANY. ANY REPRODUCTION IN PART OR AS A WHOLE WITHOUT THE WRITTEN PERMISSION OF SAFETY RAIL COMPANY IS PROHIBITED.

		UNLESS OTHERWISE SPECIFIED:	NAME	DATE
		DIMENSIONS ARE IN INCHES	DRAWN	GHJ 5/5/2017
		TOLERANCES:	CHECKED	
		FRACTIONAL ±	ENG APPR.	
		ANGULAR: MACH ± BEND ±	MFG APPR.	
		TWO PLACE DECIMAL ±	Q.A.	
		THREE PLACE DECIMAL ±	COMMENTS:	
		INTERPRET GEOMETRIC TOLERANCING PER:		
		MATERIAL		
	NEXT ASSY	USED ON		
		FINISH		
		PCOAT AERO YELLOW		
	APPLICATION	DO NOT SCALE DRAWING		

TITLE:		
<b>2' PIT RAIL</b>		
SIZE	DWG. NO.	REV
<b>A</b>	<b>400013A</b>	
SCALE: 1:20	WEIGHT:	SHEET 1 OF 1