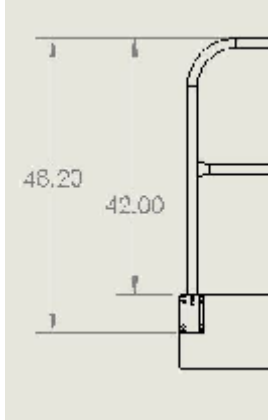
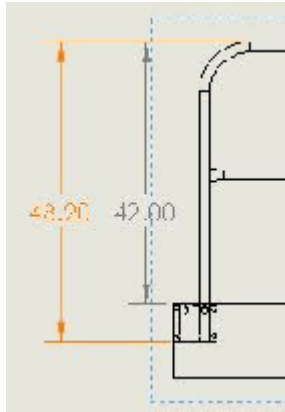


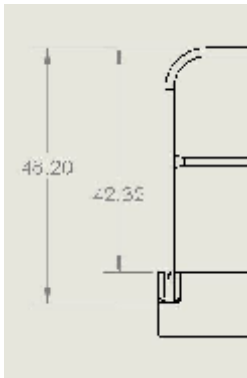
MOUNTING BRACKET OPTIONS



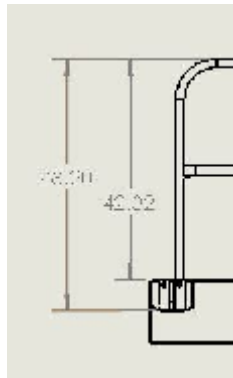
1. FACEMOUNT BRACKET SINGLE
PART NUMBER 400036



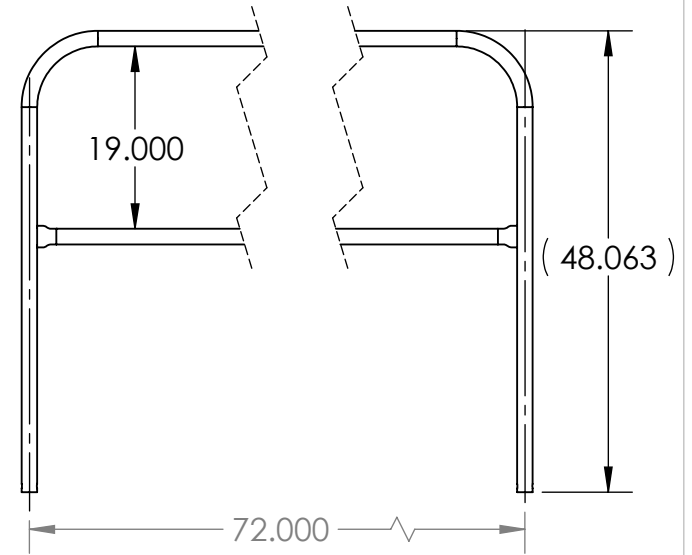
2. FACEMOUNT BRACKET DOUBLE
PART NUMBER 400016



3. FLUSHMOUNT BRACKET SINGLE
PART NUMBER 400055



4. FLUSHMOUNT BRACKET DOUBLE
PART NUMBER 400028



PROPRIETARY AND CONFIDENTIAL
THE INFORMATION CONTAINED IN THIS DRAWING IS THE SOLE PROPERTY OF SAFETY RAIL COMPANY. ANY REPRODUCTION IN PART OR AS A WHOLE WITHOUT THE WRITTEN PERMISSION OF SAFETY RAIL COMPANY IS PROHIBITED.

		UNLESS OTHERWISE SPECIFIED:	NAME	DATE
		DIMENSIONS ARE IN INCHES	DRAWN	
		TOLERANCES:	CHECKED	
		FRACTIONAL ±	ENG APPR.	
		ANGULAR: MACH ± BEND ±	MFG APPR.	
		TWO PLACE DECIMAL ±	Q.A.	
		THREE PLACE DECIMAL ±	COMMENTS:	
		INTERPRET GEOMETRIC TOLERANCING PER:	PCOAT AERO YELLOW	
		MATERIAL		
		FINISH		
NEXT ASSY	USED ON	APPLICATION	DO NOT SCALE DRAWING	

TITLE:		
6' PIT RAIL		
SIZE	DWG. NO.	REV
A	400020A	
SCALE: 1:20	WEIGHT:	SHEET 1 OF 1