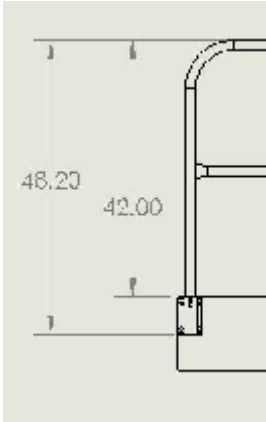
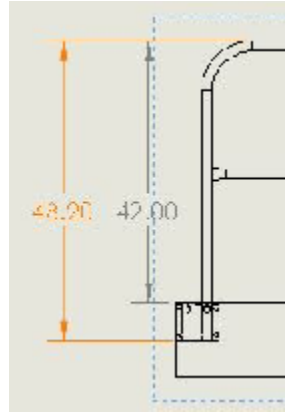


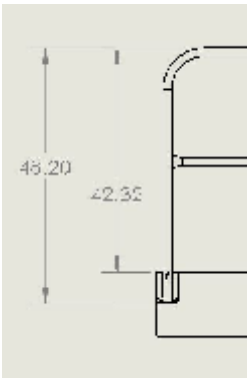
MOUNTING BRACKET OPTIONS



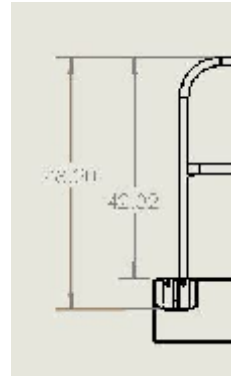
1. FACEMOUNT BRACKET SINGLE
PART NUMBER 400036



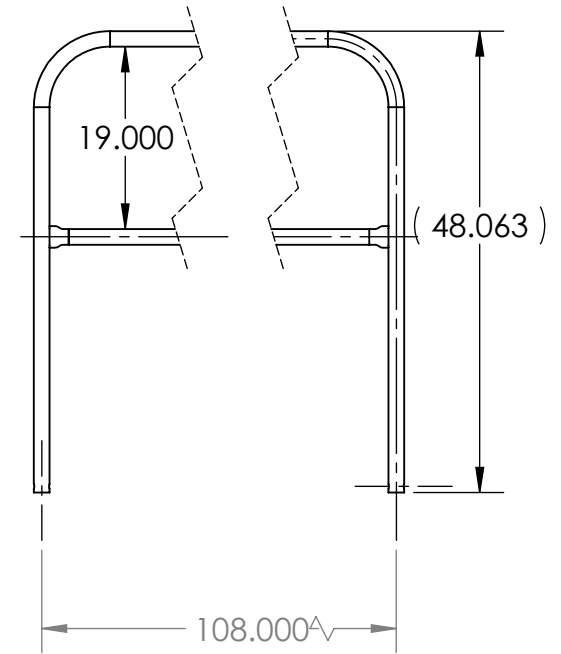
2. FACEMOUNT BRACKET DOUBLE
PART NUMBER 400016



3. FLUSHMOUNT BRACKET SINGLE
PART NUMBER 400055



4. FLUSHMOUNT BRACKET DOUBLE
PART NUMBER 400028



PROPRIETARY AND CONFIDENTIAL
THE INFORMATION CONTAINED IN THIS DRAWING IS THE SOLE PROPERTY OF SAFETY RAIL COMPANY. ANY REPRODUCTION IN PART OR AS A WHOLE WITHOUT THE WRITTEN PERMISSION OF SAFETY RAIL COMPANY IS PROHIBITED.

| | | | | | | |
|-----------|---------|--|--------------------------------------|-------------------|------|----------|
| | | | UNLESS OTHERWISE SPECIFIED: | | NAME | DATE |
| | | | DIMENSIONS ARE IN INCHES | DRAWN | GHJ | 05/03/17 |
| | | | TOLERANCES: | CHECKED | | |
| | | | FRACTIONAL ± | ENG APPR. | | |
| | | | ANGULAR: MACH ± BEND ± | MFG APPR. | | |
| | | | TWO PLACE DECIMAL ± | Q.A. | | |
| | | | THREE PLACE DECIMAL ± | COMMENTS: | | |
| | | | INTERPRET GEOMETRIC TOLERANCING PER: | PCOAT AERO YELLOW | | |
| | | | MATERIAL | | | |
| | | | FINISH | | | |
| NEXT ASSY | USED ON | | APPLICATION | | | |
| | | | DO NOT SCALE DRAWING | | | |

| | | |
|--------------------|----------------|--------------|
| TITLE: | | |
| 9' PIT RAIL | | |
| SIZE | DWG. NO. | REV |
| A | 400024A | |
| SCALE: 1:20 | WEIGHT: | SHEET 1 OF 1 |