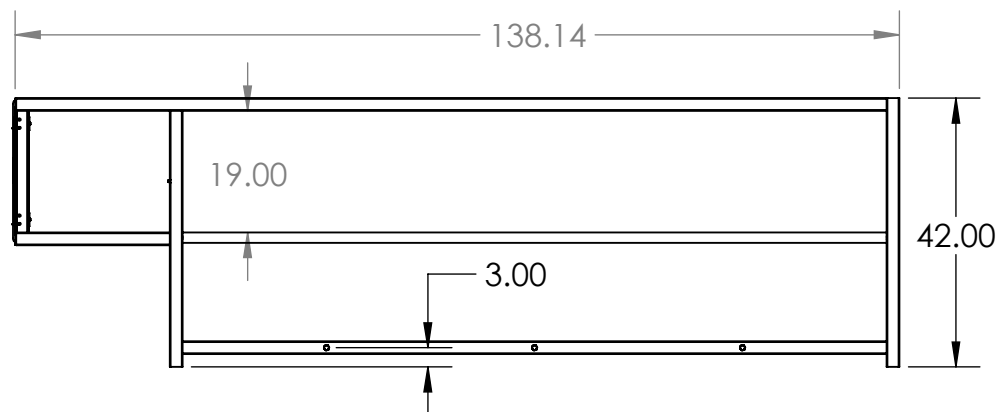
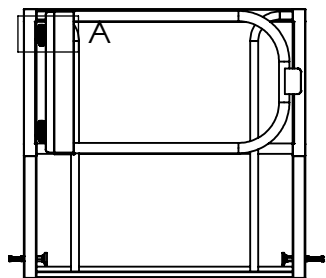


DETAIL A
SCALE 1 : 4



TITLE:
36X100 HATCH GUARD

Safety Rail Company LLC.
4244 Shoreline Dr.
P.O. Box 427
Spring Park, MN 55384

Toll Free: 888-434-2720
Tel: 952-471-0950
Fax: 888-471-4931
www.safetyrailcompany.com
info@safetyrailcompany.com

| | | |
|------------------|----------------------------|-----------------|
| SIZE A | DWG. NO. 400968A | REV A |
| SCALE: 1:24 | WEIGHT: | SHEET 1 OF 1 |