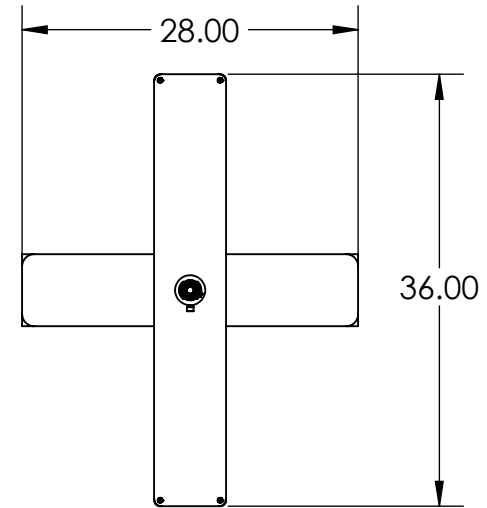
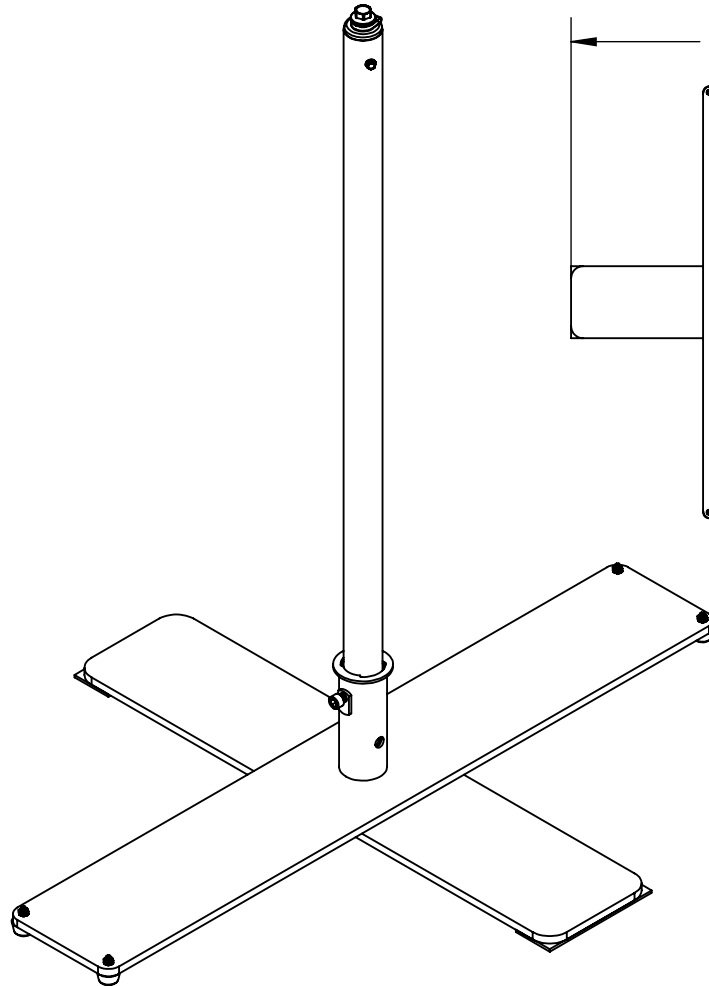


38.81



TITLE:
X-STANCHION ASSEMBLY

Safety Rail Company LLC.
4244 Shoreline Dr.
P.O. Box 427
Spring Park, MN 55384

Toll Free: 888-434-2720
Tel: 952-471-0950
Fax: 888-471-4931
www.safetyrailcompany.com
info@safetyrailcompany.com

SIZE A	DWG. NO. 400276A	REV A
SCALE: 1:16		WEIGHT:
		SHEET 1 OF 1