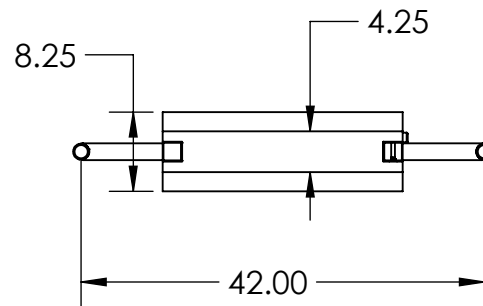
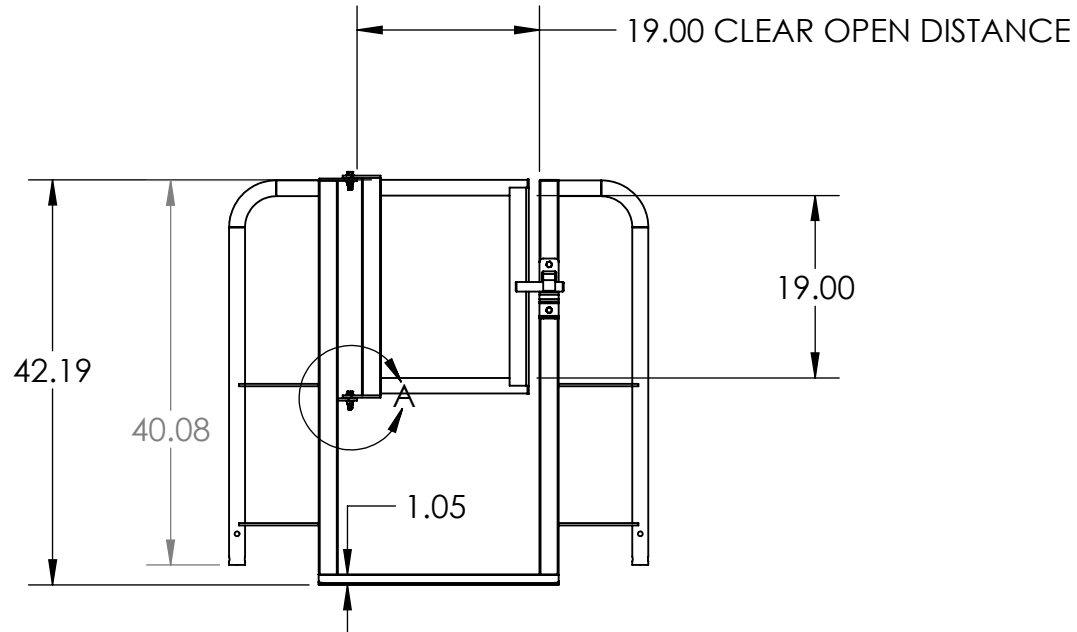


DETAIL A
SCALE 1 : 8



TITLE:
GATE ASSEMBLY 3' GALV

Safety Rail Company LLC.
4244 Shoreline Dr.
P.O. Box 427
Spring Park, MN 55384

Toll Free: 888-434-2720
Tel: 952-471-0950
Fax: 888-471-4931
www.safetyrailcompany.com
info@safetyrailcompany.com

SIZE	DWG. NO.	REV
A	400387A	
SCALE: 1:20	WEIGHT:	SHEET 1 OF 1