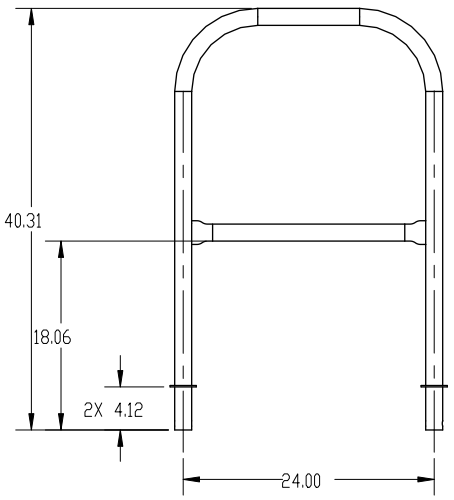


2X .63  
2X SAFETY RAIL  
PIN LOCATION



NOTES:

- AVAILABLE FINISH:  
 1. POWDER COATED SAFETY YELLOW  
 2. GALVANIZED  
 3. GALVANIZED & POWDER COATED SAFETY YELLOW

TITLE:  
 2' MOBILE SAFETY RAIL

Safety Rail Company LLC.  
 4244 Shoreline Dr.  
 P.O. Box 427  
 Spring Park, MN 55384

Toll Free: 888-434-2720  
 Tel: 952-471-0950  
 Fax: 888-471-4931  
 www.safetyrailcompany.com  
 info@safetyrailcompany.com

SIZE B	DWG. NO. 430000	REV A
-----------	--------------------	----------

SCALE: 1:12    WEIGHT: 10.89 LBS    SHEET 1 OF 1