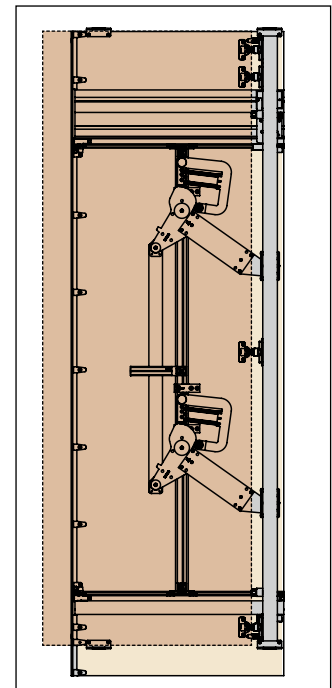
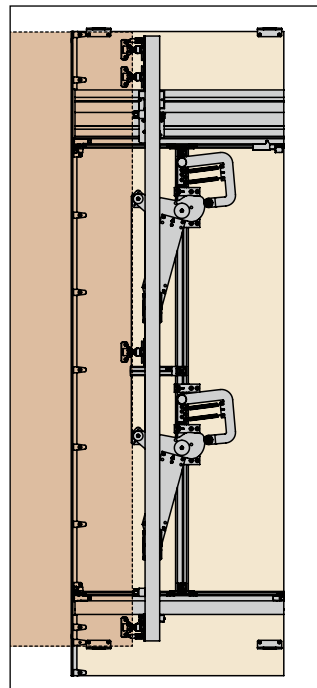
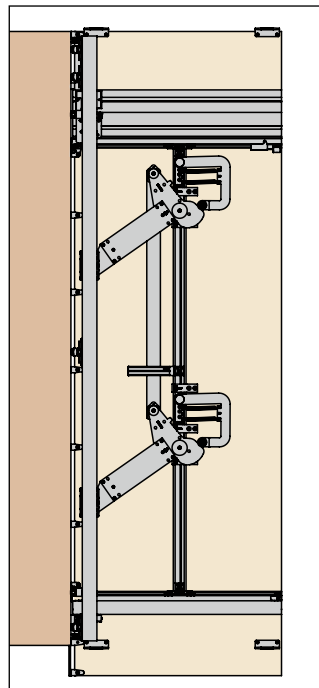
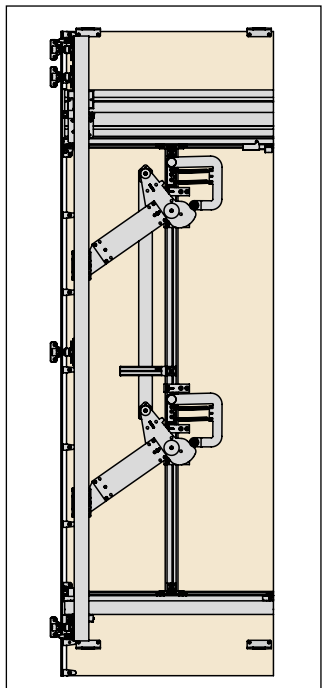




**** special application for door height between 1333 mm (51 - 1/16") - 1575 mm (62") with a maximum utilized cabinet depth (LPU) of 400 mm(15 - 3/4").**



Mechanism movement as the door leaves the recess.



Exedra allows smooth lateral assisted positive opening and cushioned soft-close movements, which are controlled by a safety device.

Exedra gives a smooth, fluent, uniform and noiseless movement, regardless of the speed of door insertion.

Product overview

Mechanism elements

- Aluminum profiles: 6060T5 alloy, silver anodized
- Components made of plastic, steel and zinc alloy

Tech features:

- Maximum weight for each door : up to 66 lbs (30 Kg) (with 5 of hinges allowed).
- Thickness:
 - minimum 19 mm (3/4")
 - maximum 30 mm (1 - 3/16")
- Width:
 - minimum 400 mm (15 - 3/4")
 - maximum 900 mm (35 - 7/16")
- Height:**
 - minimum 1333 mm (51 - 1/16")
 - minimum 1359 mm (53 - 1/2") with roller kit
 - maximum 2530 mm (99 - 5/8")
- Door vertical adjustment + 4 / -1 mm
- Door horizontal adjustment \pm 2 mm
- Door front adjustment \pm 4 mm
- Assisted door extraction movement
- Soft closing buffer with a linear magnetic damper
- Material:
 - a) wood or derivatives
 - b) metal and glass frame
- Standard projection of the door in open position: 107 mm (4 - 3/16") when allowed
- Recommended space below the door: 5 mm (3/16")