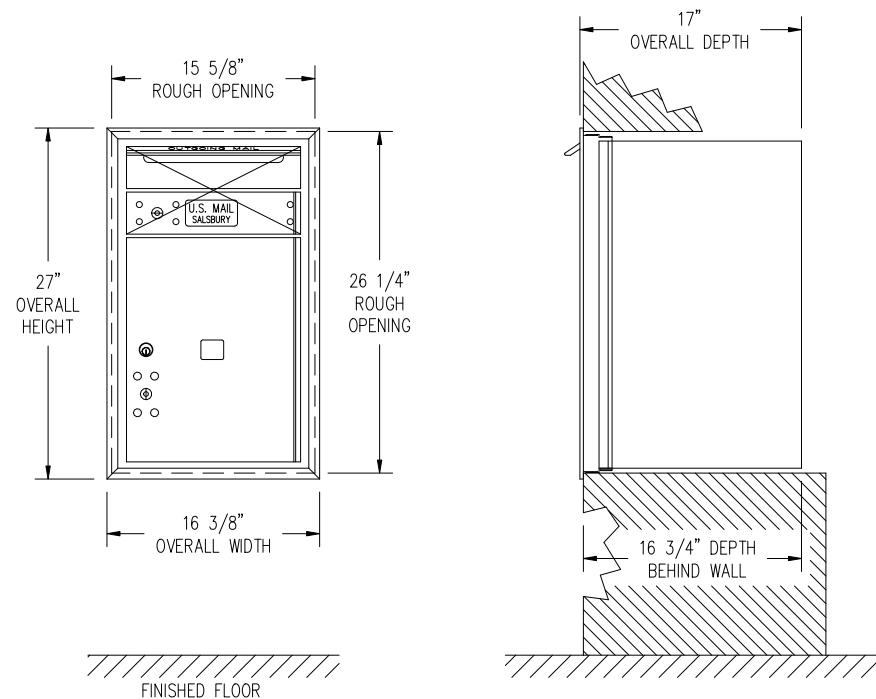


INSTALLATION REQUIREMENTS PER USPS STD-4C

1. AT LEAST ONE CUSTOMER MAILBOX COMPARTMENT SHALL BE POSITIONED LESS THAN 48" ABOVE FINISHED FLOOR (AFF).
2. NO PARCEL LOCKER COMPARTMENT (INTERIOR BOTTOM SHELF) SHALL BE POSITIONED LESS THAN 15" AFF.
3. NO CUSTOMER MAILBOX LOCK SHALL BE LOCATED MORE THAN 67" AFF.
4. NO CUSTOMER MAILBOX COMPARTMENT (INTERIOR BOTTOM SHELF) SHALL BE POSITIONED LESS THAN 28" AFF.
5. THE USPS ARROW LOCK IN THE CARRIER ACCESS DOOR SHALL BE LOCATED BETWEEN 36" AND 48" AFF.



|  |   |  |  |  |                                  |
|--|---|--|--|--|----------------------------------|
| <small>DRAWN</small><br>DLM            | <br>email: engineering@mailboxes.com | 1010 E. 62nd Street<br>Los Angeles, CA 90001<br>Phone: (800) 624-5269<br>Fax: (800) 624-5299 | 4C STANDARD HORIZONTAL MAILBOXES<br>3700 SERIES FRONT LOADING<br>AVAILABLE FOR USPS ACCESS OR PRIVATE ACCESS | (1) OM2 OUTGOING MAIL COMPARTMENT<br>(1) PL5 PARCEL LOCKER | <small>MODEL</small><br>3707S-1P |
| <small>DATE</small><br>9/30/2008       |   |  |  |  | <small>DRAWING NO.</small>       |
| <small>CAD FILE SCALE</small><br>1 : 1 |   |  |  |  | CAD_3707S-1PFL                   |