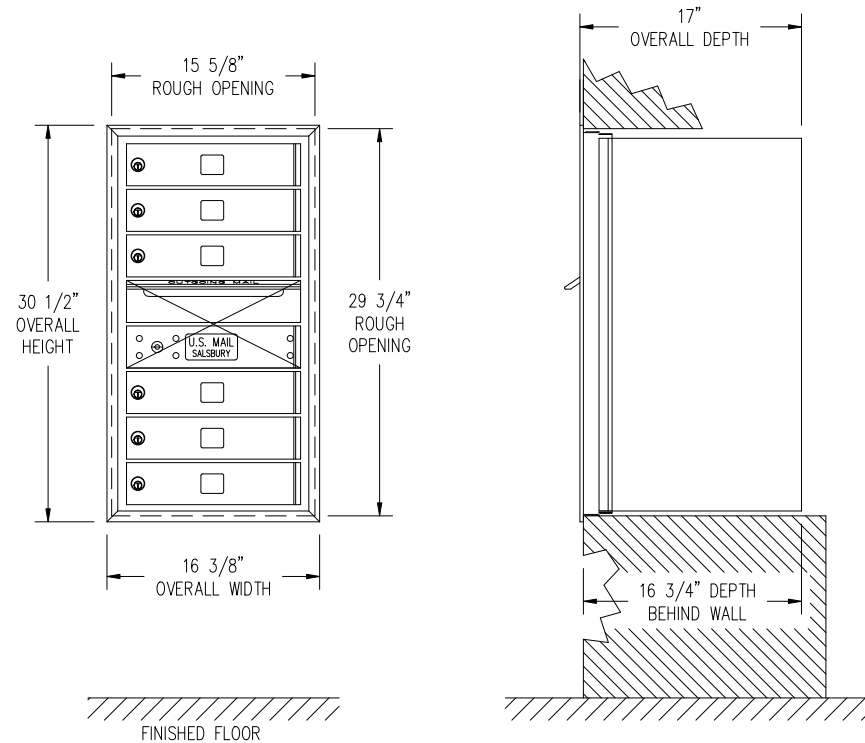


INSTALLATION REQUIREMENTS PER USPS STD-4C

1. AT LEAST ONE CUSTOMER MAILBOX COMPARTMENT SHALL BE POSITIONED LESS THAN 48" ABOVE FINISHED FLOOR (AFF).
2. NO PARCEL LOCKER COMPARTMENT (INTERIOR BOTTOM SHELF) SHALL BE POSITIONED LESS THAN 15" AFF.
3. NO CUSTOMER MAILBOX LOCK SHALL BE LOCATED MORE THAN 67" AFF.
4. NO CUSTOMER MAILBOX COMPARTMENT (INTERIOR BOTTOM SHELF) SHALL BE POSITIONED LESS THAN 28" AFF.
5. THE USPS ARROW LOCK IN THE CARRIER ACCESS DOOR SHALL BE LOCATED BETWEEN 36" AND 48" AFF.



<small>DRAWN</small>	WCL
<small>DATE</small>	5/6/2013
<small>CAD FILE SCALE</small>	1 : 1



email: engineering@mailboxes.com

1010 E. 62nd Street
 Los Angeles, CA 90001
 Phone: (800) 624-5269
 Fax: (800) 624-5299

4C STANDARD HORIZONTAL MAILBOXES
 3700 SERIES FRONT LOADING
 AVAILABLE FOR USPS ACCESS OR PRIVATE ACCESS

(6) MB1 MAILBOXES
 (1) OM2 OUTGOING MAIL COMPARTMENT

<small>MODEL</small>	3708S-06
<small>DRAWING NO.</small>	CAD_3708S-06FL