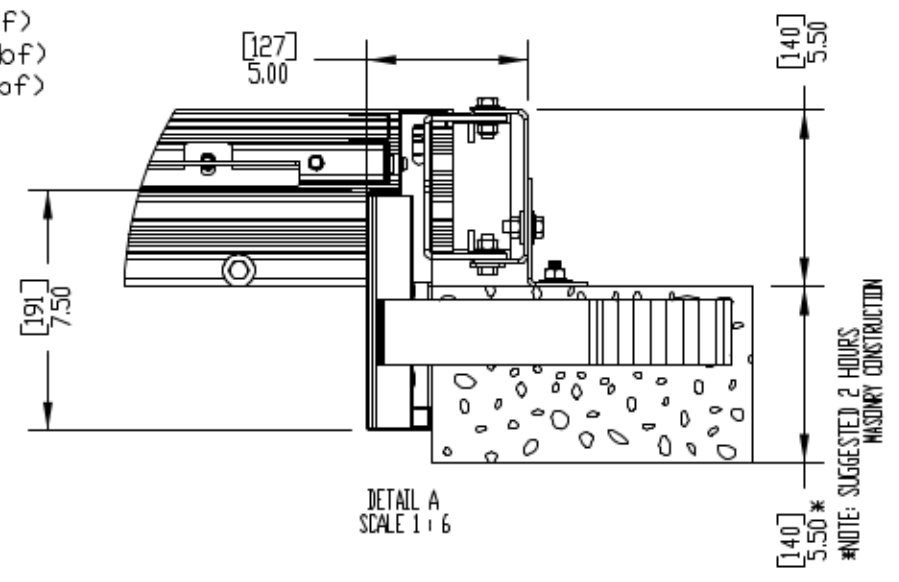
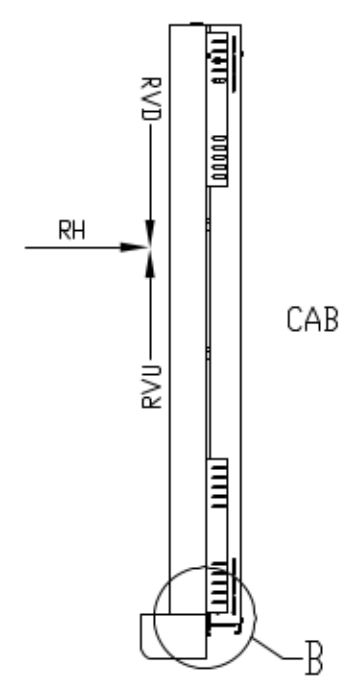
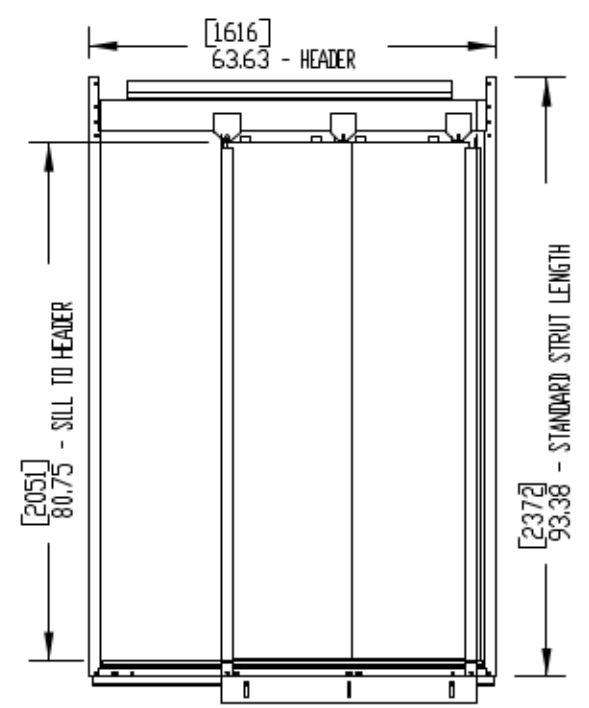
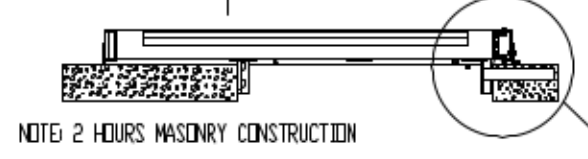
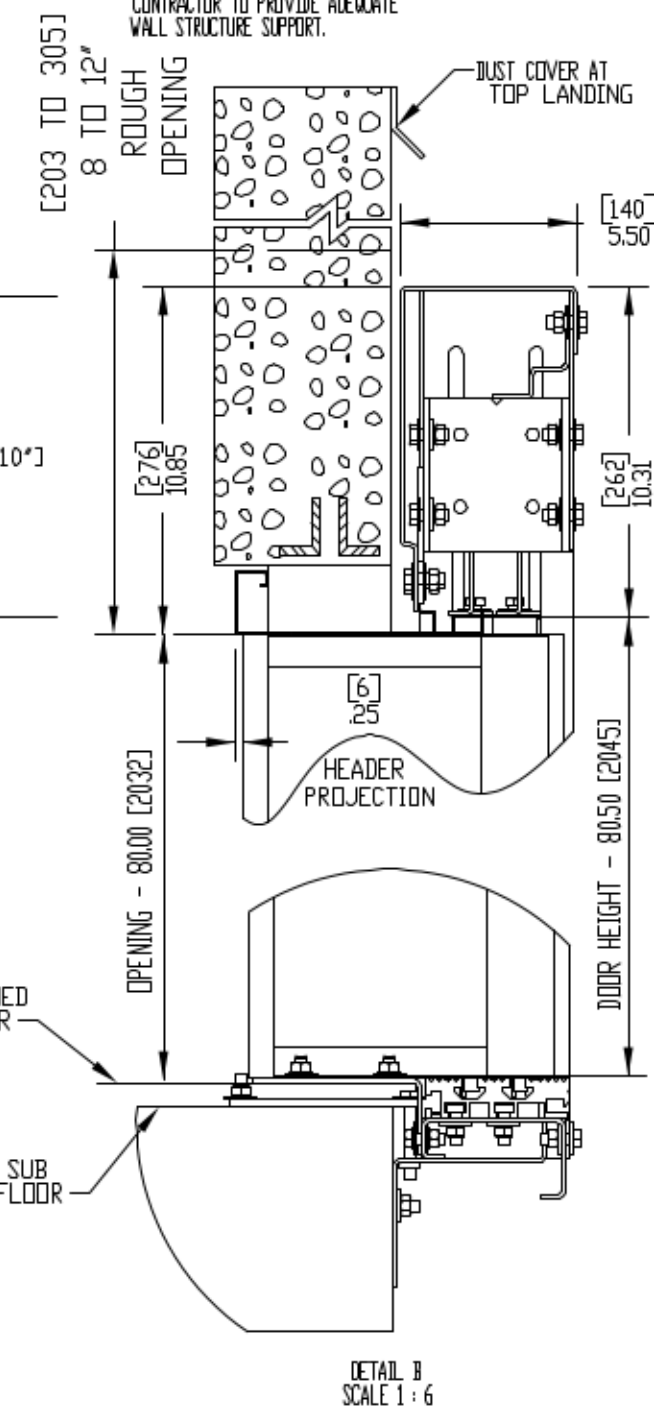
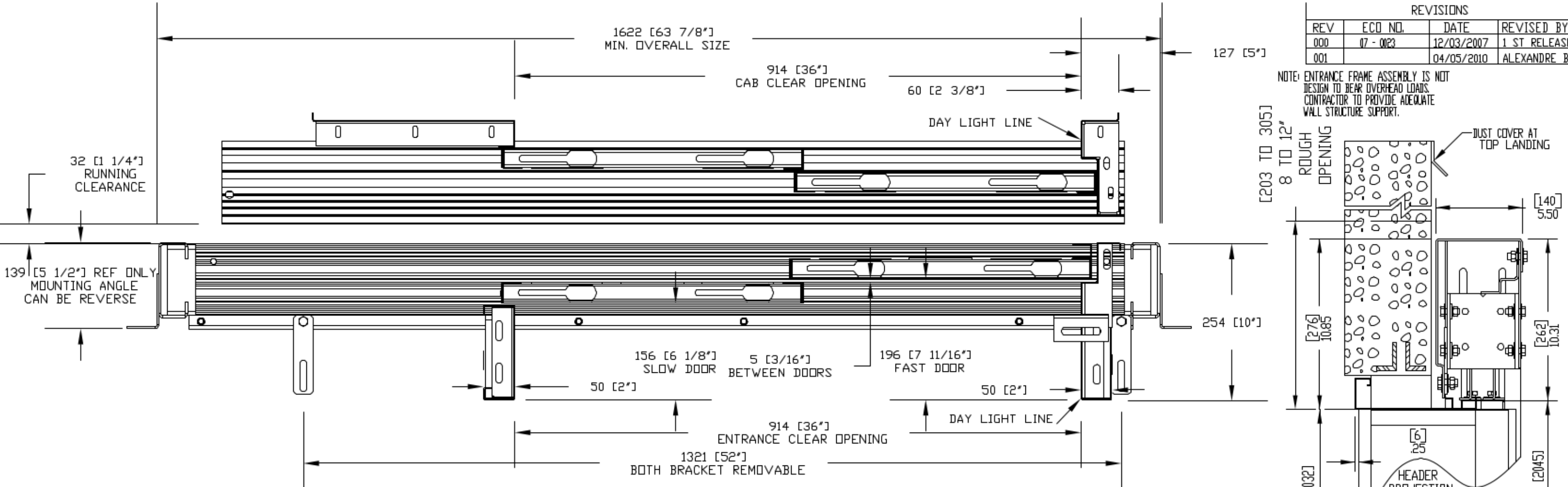


REVISIONS

REV	ECO NO.	DATE	REVISED BY
000	07 - 0023	12/03/2007	1 ST RELEASE
001		04/05/2010	ALEXANDRE B

NOTE: ENTRANCE FRAME ASSEMBLY IS NOT DESIGN TO BEAR OVERHEAD LOADS. CONTRACTOR TO PROVIDE ADEQUATE WALL STRUCTURE SUPPORT.



RIGHT HAND SHOWN

LANDING 2 SP. DOOR ASSEMBLY
 MASONRY CONSTRUCTION 36 X 80

OFFICE USE ONLY:

CONFIGURATION VERSION STAMP:	21.5
MODULE VERSION STAMP:	D-S-43

CUSTOMER: _____ DATE: _____

PROJECT: _____ REVISION DATE: _____

ADDRESS: _____ COMPLETED BY: _____

Part No. _____

Variant No. _____

SIS SAVARIA
 Your Accesibility Partners

JOB No. _____ SHEET No. _____