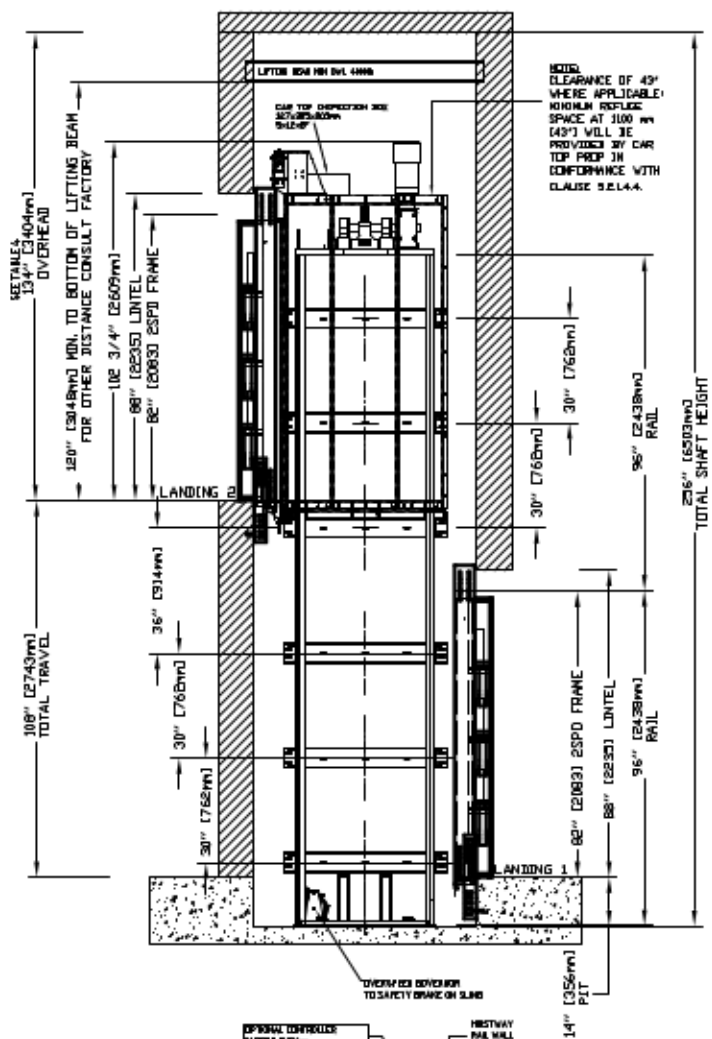
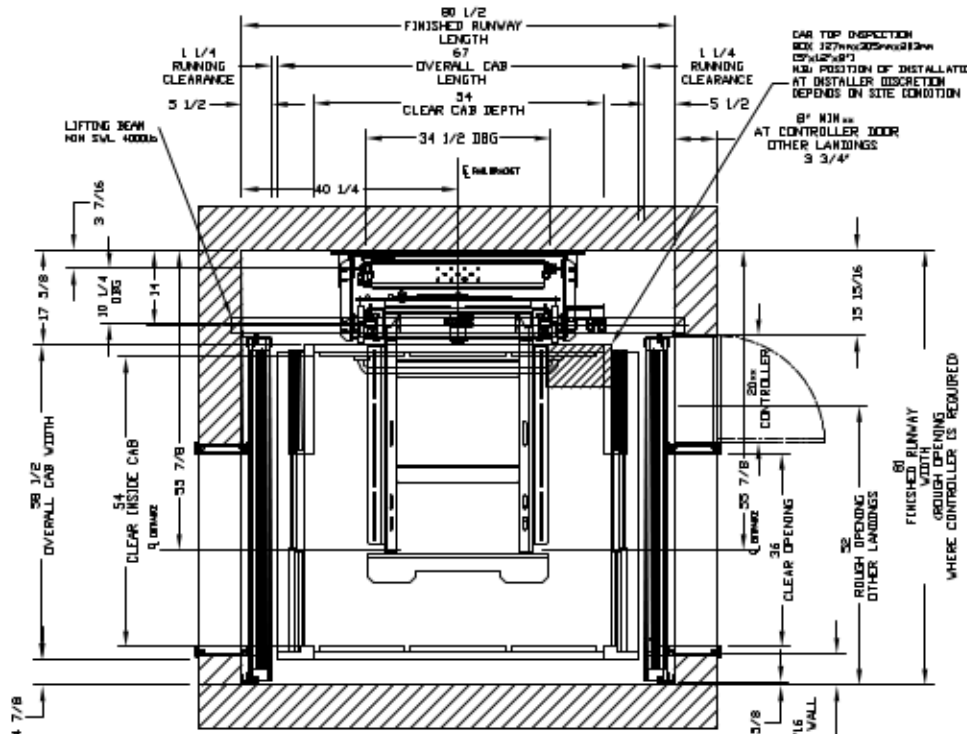


SECTIONAL VIEW - ORION MRL-5454 (2)



PLAN VIEW - ORION MRL-5454 (2) 2 SPEED WITTUR DOORS



PROVISIONS BY OTHERS

GENERAL HOISTWAY - THE HOISTWAY MUST BE IN ACCORDANCE WITH "SAFETY CODE FOR ELEVATORS AND ESCALATORS" (ASME A17.1 AND ALL STATE AND LOCAL CODES).

GENERAL - DUE TO CLOSE RUNNING CLEARANCES OWNER/AGENT MUST CHECK THAT HOISTWAY AND FIT FINISHES PROVIDED ARE LEVEL, PLUMB AND SQUARE AND ARE IN ACCORDANCE WITH THE DIMENSIONS ON THESE DRAWINGS.

HUMAN OVERHEAD CLEARANCE - OWNER/AGENT MUST ENSURE HUMAN OVERHEAD CLEARANCE IS IN COMPLIANCE WITH CODES.

CONSTRUCTION NOTE - OWNER/AGENT TO PROVIDE ALL HARDWARE, CARPENTRY AND ORIFICE WALL WORK AS REQUIRED AND SHALL PATCH AND FINISH OVER INCLUDING FINISH PARTING ALL AREAS WHERE WALLS/FLOORS MAY BEING TO BE CUT, DRILLED OR ALTERED IN ANY WAY TO PERMIT THE PROPER INSTALLATION OF THE LIFT.

DECISIONS - CONTRACTOR/CUSTOMER TO VERIFY ALL DIMENSIONS AND REPORT ANY DISCREPANCIES TO OUR OFFICE IMMEDIATELY.

STRUCTURAL FLOOR/SUPPORT WALL LOADS - STRUCTURE TO ANCHOR A CRANE RAIL AND SAFETY HARNESSES, WHERE APPLICABLE/NEEDED, TO BE PROVIDED BY CONTRACTOR. CONTRACTOR TO ASSURE THAT BUILDING AND SHAFT WILL SAFELY SUPPORT ALL LOADS IMPOSED BY THE LIFT EQUIPMENT. REFER TO THE TABLES ON THIS DRAWING FOR LOADS IMPOSED BY THE EQUIPMENT.

MACHINE ROOM (WHERE REQUIRED) - MACHINE ROOM LOCATED AT THE LOWEST LEVEL, IN ACCORD TO HOISTWAY, UNLESS SHOWN OTHERWISE ON THE LAYOUT DRAWINGS. FIELD ADJUSTMENT BY INSTALLER MAY BE NECESSARY TO FIT JOB SITE CONDITIONS OR REGULATIONS. MACHINE ROOM DOOR IS TO BE LOCKABLE AND IS TO MEET THE REQUIREMENTS OF THE AUTHORITY HAVING JURISDICTION.

SLACKS FOR CABLE LINES - FROM MACHINE ROOM TO HOISTWAY AS REQUIRED. REFER TO INSTALLERS INSTRUCTIONS.

| COMPONENT | FRONT SIZE | THE DOOR SIZE | VOLTS | PHASE | R.A. |
|----------------|------------|---------------|----------|--------------|---------|
| MOTOR & EQUIP. | 30 AMP | 30 AMP | 208 volt | Three Phase | 200 AMP |
| MOTOR & EQUIP. | 90 AMP | 40 AMP | 230 volt | Three Phase | 350 AMP |
| CAB LIGHTS | 15 AMP | 15 AMP | 120 V | Single Phase | |

ELECTRICAL CODES/SPICES - SEE SPECIFICATIONS FOR ADEQUATE FUSED DISCONNECT WITH AUXILIARY CONTACT TO BRIDGE THE BATTERY FEED OR CIRCUIT BREAKERS WITH A 3-POLE BREAKER FOR BATTERY FEED REQUIRED. IN COMPLIANCE WITH ELECTRICAL CODE, AS FOLLOWS:

LOCATED ON WALL ON LOOR - JAMB SIDE OF MACHINE ROOM DOOR.

EXHAUST FAN - OWNER INSTALLATION CAN BE IN, FORWARD POWER MUST BE SUPPLIED.

LEDGING - THE ALUMINUM SHALL BE NOT LESS THAN 100 LB IN FD AT THE FLOOR LEVEL IN ALL MACHINE ROOMS AND MECH/ELEC SPACES. ENSURE AT LEAST 100 LB IN FD AMBIENT LIGHTS OVER LEFT AREA.

DOOR - NEED A DEDICATED POWER LINE NOT SHARED FOR THE AREA, WHERE APPLICABLE FOR VMP PLEASE CONTACT SAVARIA.

ENTRANCES - FASCIA PANEL BEHIND UPPER LEVEL ENTRANCE - WHERE REQUIRED, FASCIA PANEL MUST BE FASTENED TO A SOLID WALL AND BE BRICK/CORRELATED TO THE FLOOR AND WALLS. HOISTWAY FASCIA IS NOT SELF-SUPPORTING FOR LONG, CONTINUOUS RUNG VIEW OF ENTRANCES. ADEQUATE SUPPORT FOR THE FASCIA MUST BE PROVIDED.

ENTRANCE ASSEMBLY - ENTRANCE ASSEMBLIES MUST BE ADJUSTED TO ALIGN WITH PLATFORM AND BITE/PICK EQUIPMENT. OTHERS TO ALLOW AN ADEQUATE ROOM FOR BITE.

RETURN WALLS - RETURN WALLS AT ENTRANCES MUST BE BUILT-IN BY OTHERS. ALL ENTRANCE ASSEMBLIES ARE IN PLACE. ENTRANCE ASSEMBLY MUST BE SECURELY FASTENED TO WALLS BY ELEVATOR CONTRACTOR.

NOTE - DIMENSIONS SHOWN ON DRAWING ARE FOR REFERENCE ONLY.

NOTE 1 - REFER TO MANUAL BEFORE ADJUSTING THIS SETTING.

NOTE 2 - REFER TO MANUAL BEFORE ADJUSTING THIS SETTING.

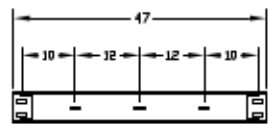
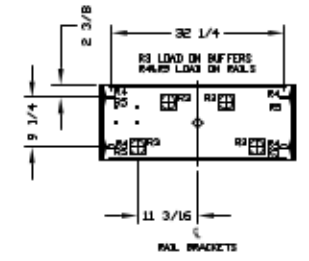
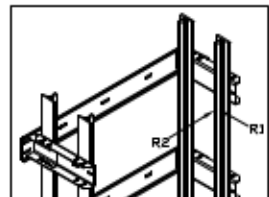
NOTE 3 - REFER TO MANUAL BEFORE ADJUSTING THIS SETTING.

NOTE 4 - REFER TO MANUAL BEFORE ADJUSTING THIS SETTING.

| MAX SPEED (ft/min) | PTT | PTT / OVERHEAD DIMENSIONS | |
|--------------------|---------|---------------------------|--------------|
| | | TOTAL TRAVEL | MIN OVERHEAD |
| 30 | 14' min | 84"(2040) | 110"(2793) |

NOTE 5 - ADDITIONAL PPT EQUIPMENT MIGHT BE NEEDED TO 31' deep - consult your local dealer for details.

WARNING - TABLES ONLY APPLICABLE FOR SLASH ZONES 0 AND 1. FOR SLASH ZONES OTHER THAN 0 AND 1 PLEASE CONSULT WITH MANUFACTURER FOR ADDITIONAL SPECIFIC REQUIREMENTS.



| PTT ACTION FORCE | MAX LB |
|------------------|--------|
| R1 | 300 LB |
| R2 | 300 LB |
| R3 | 150 LB |

RAIL BRACKETS

| RAIL FORCES | |
|-------------------------|---------|
| × R1 | × R2 |
| 932 lbf | 260 lbf |
| RAIL WEIGHT: 14 lb / ft | |

VERTICAL PULL-OUT FORCES IN RAIL BRACKET, R1 & R2 = 140 LBF FOR LOCAL APPLICATION OF PULL LOAD, IN MUST BE DOUBLE. SEE PPT CHANNEL/BEAM DETAIL.

