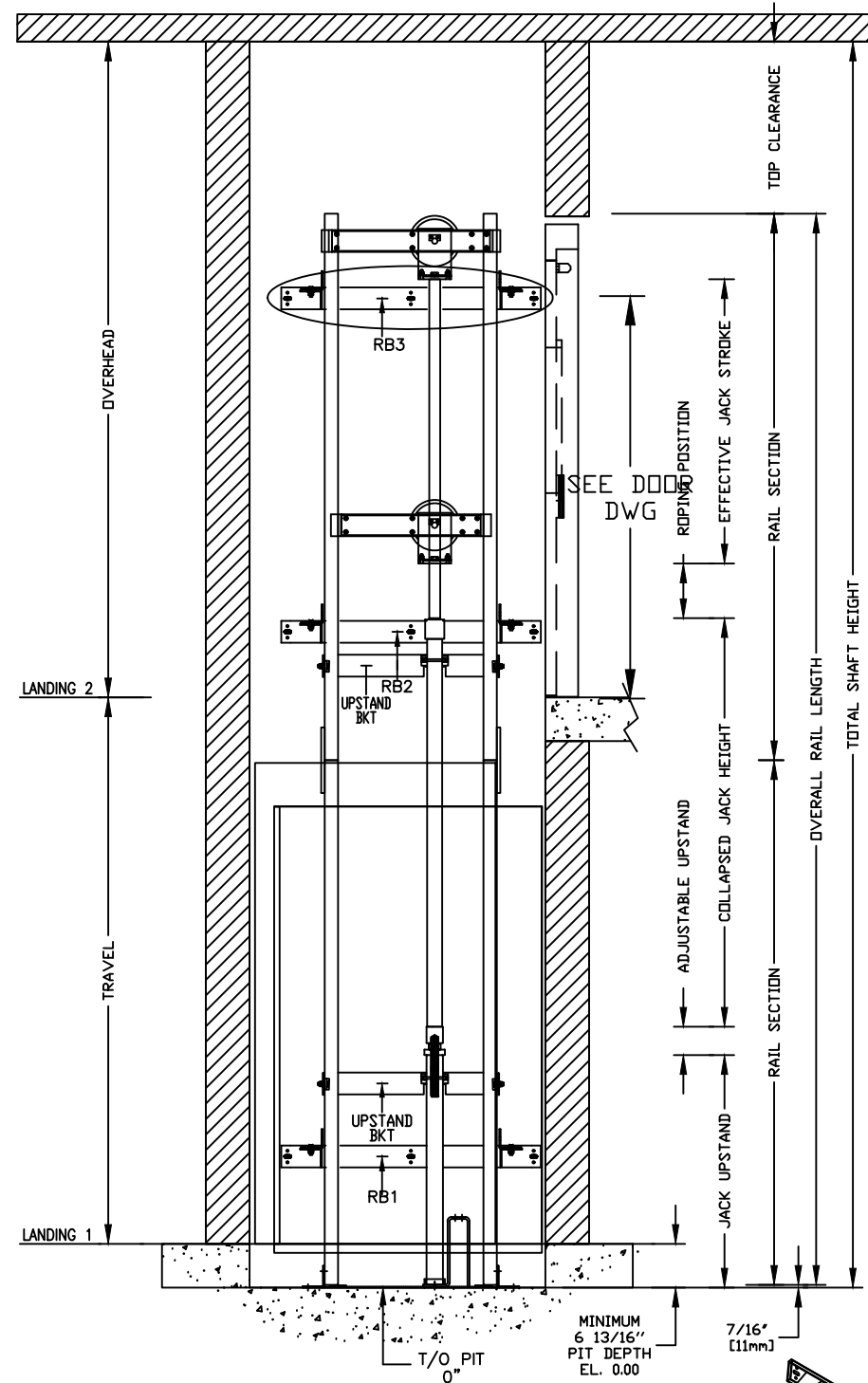
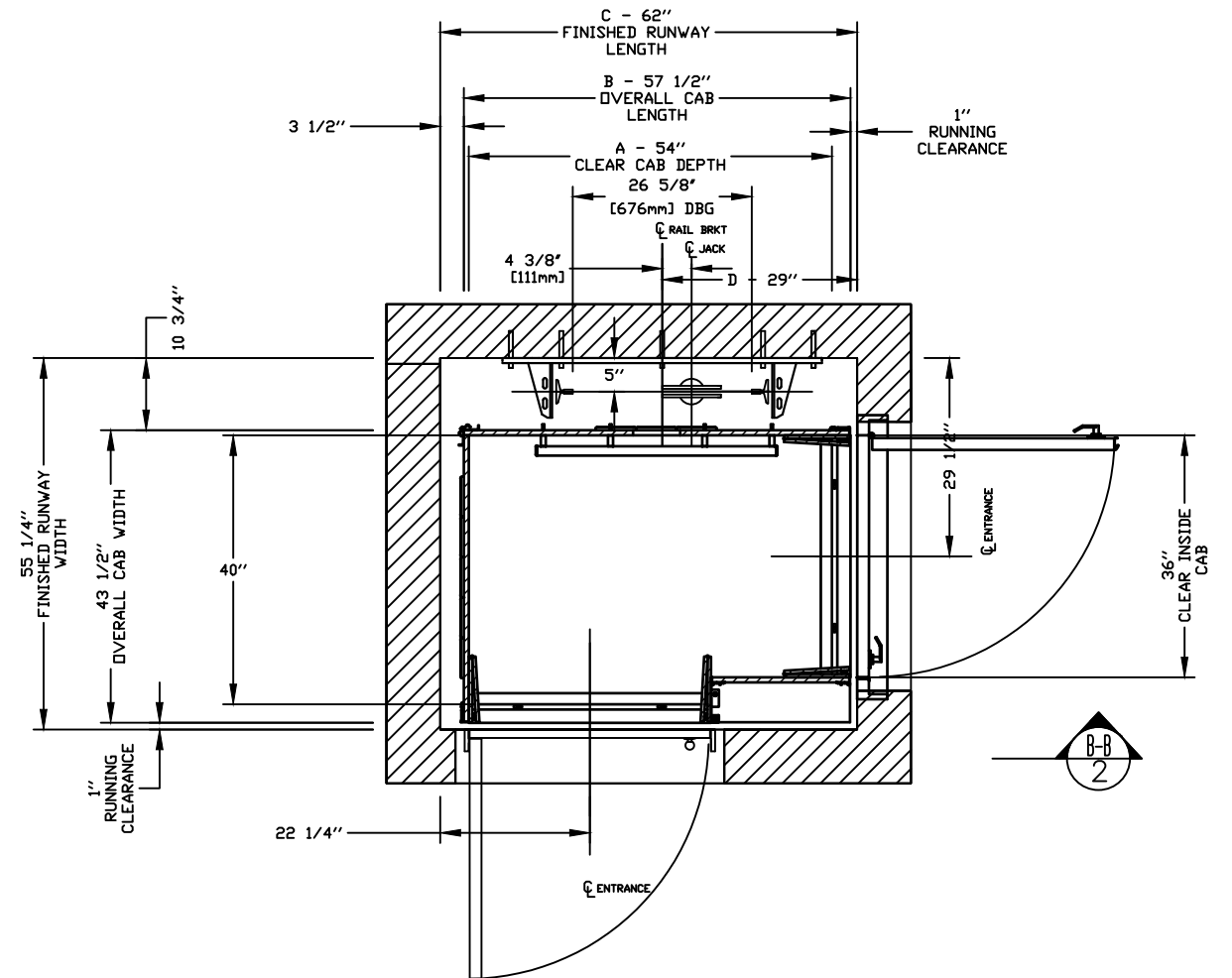
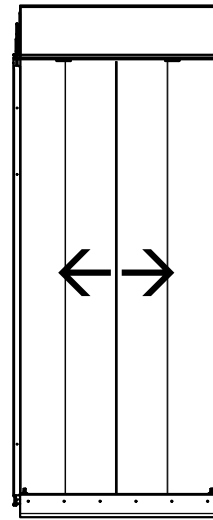


SECTIONAL VIEW -INFINITY Model 3654 TYPE 3



ENTRANCE

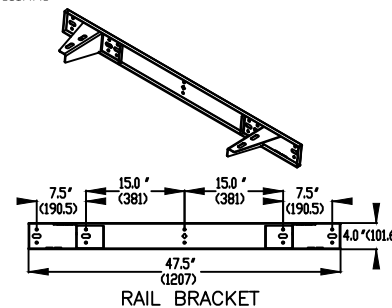


A CLEAR INSIDE CAB LENGTH		B OVERALL CAB LENGTH		C FINISHED RUNWAY LENGTH		D RAIL CENTER LINE	
mm	Inches	mm	Inches	mm	Inches	mm	Inches
1219	48	1308	51 1/2	1422	56	660	26
1372	54	1461	57 1/2	1575	62	737	29
1524	60	1613	63 1/2	1727	68	864	34

DOCUMENT REVISION 000, DATE: 06/25/20

RAIL FORCES	
*R1	*R2
304lbf.	194lbf.
RAIL WEIGHT : 8.0 lbs / ft	

R3 NOTE:  
PIT FLOOR TO SUPPORT LOAD OF:  
5.6Kips \* (INCLUDES IMPACT)  
FOR TOTAL PULL-OUT FORCE ON RAIL BRACKET,  
R1 MUST BE DOUBLED eg.



RESIDENTIAL ELEVATOR  
INFINITY MODEL TYPE 3

ENTRANCE SIDE LEGEND

ALL INFORMATION IS SUBJECT TO CHANGE.  
PLEASE REFER TO OUR ON-LINE DRAWINGS AT  
[www.savaria.com](http://www.savaria.com) FOR THE MOST RECENT UPDATES

THE INFORMATION DISCLOSED HEREIN IS THE EXCLUSIVE PROPERTY OF

**savaria**

AND MAY NOT BE USED BY OTHERS WITHOUT PRIOR WRITTEN CONSENT



SHEET#

1/1