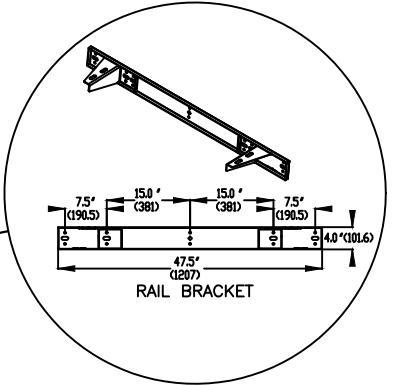
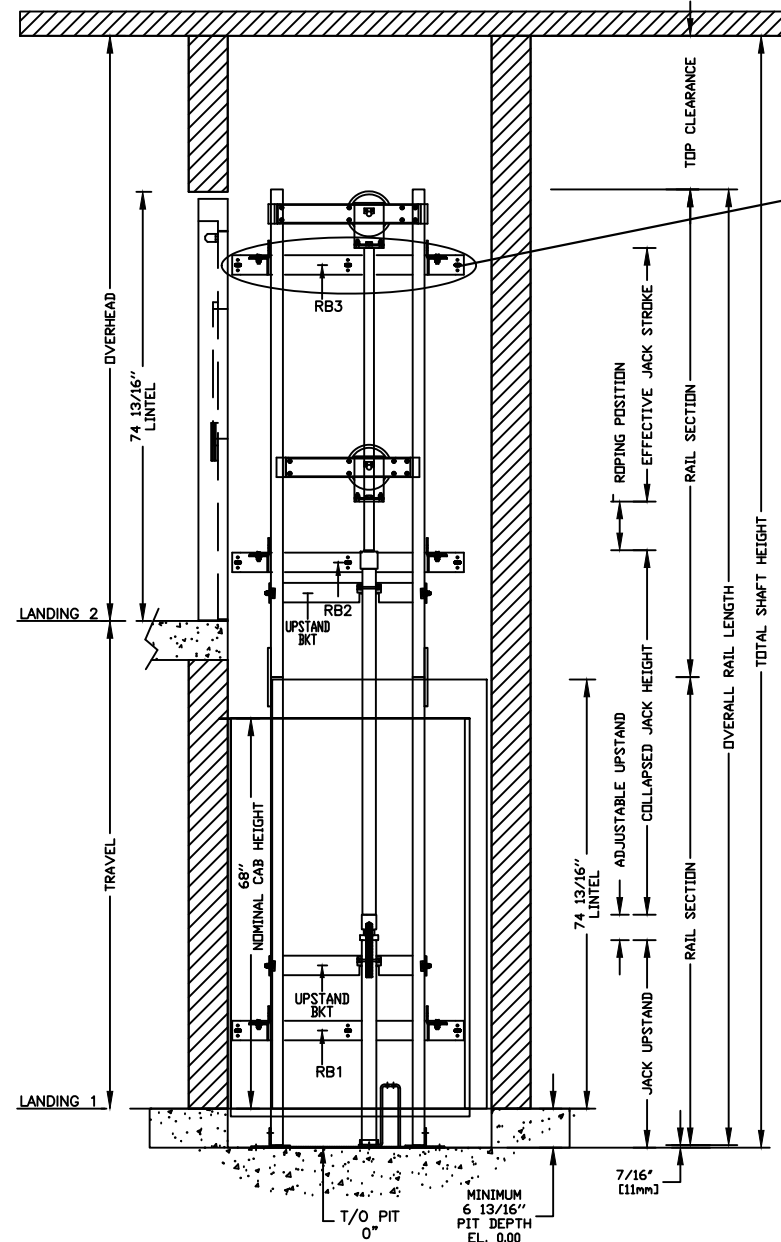
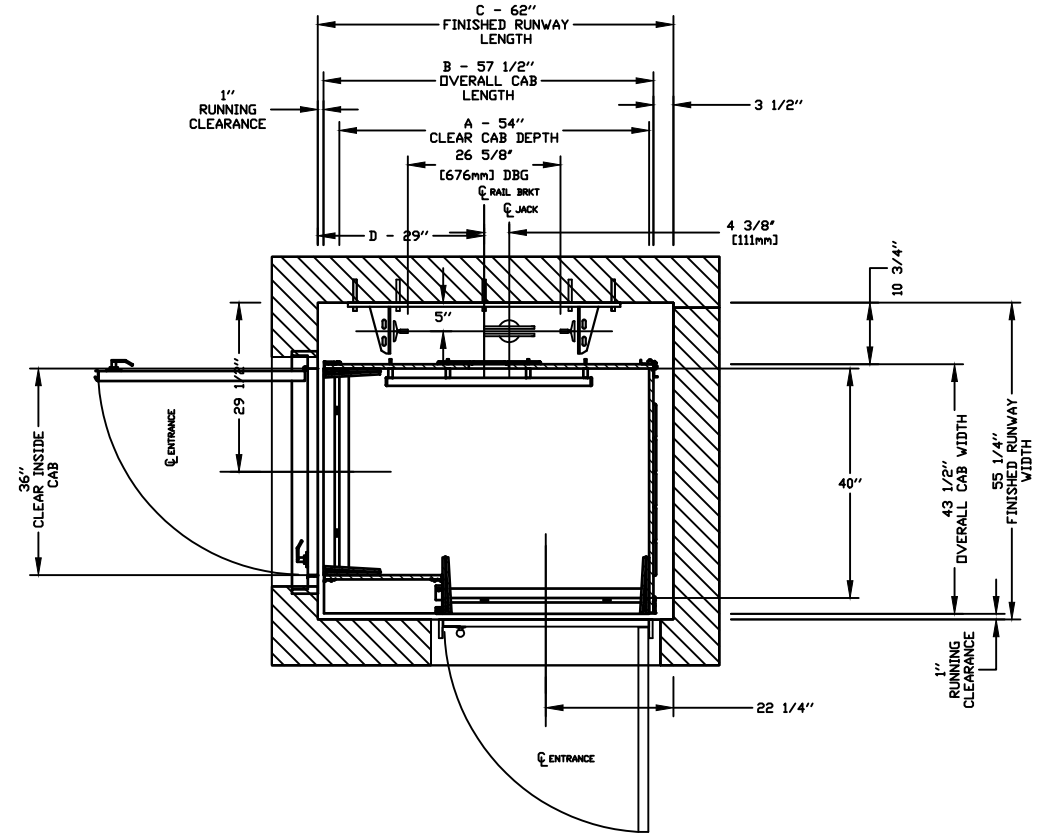
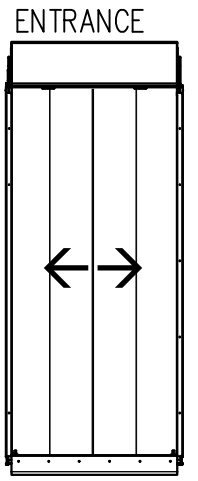


SECTIONAL VIEW – INFINITY Model 3654 TYPE 4



RAIL FORCES		R3 NOTE:
		PIT FLOOR TO SUPPORT LOAD OF: 5.6Kips * (INCLUDES IMPACT)
* R1	* R2	FOR TOTAL PULL-OUT FORCE ON RAIL BRACKET, R1 MUST BE DOUBLED eg.
304lbf.	194lbf.	
RAIL WEIGHT : 8.0 lbs / ft		

RAIL BRACKET

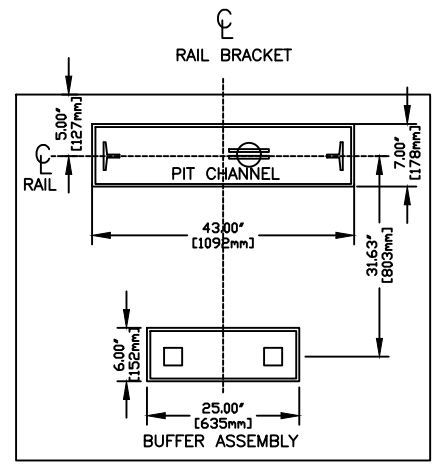


TOP RAIL BRACKET RB3	AT TOP OF HOISTWAY CONSULT YOUR CONCORD REPRESENTATIVE FOR EXACT LOCATION	FLOOR No.		FLOOR HEIGHT
		REAR	FRONT	
INTERMEDIATE RAIL BRACKET RB2	96" [2438mm] INTERVALS ABOVE BOTTOM BRACKET			
BOTTOM RAIL BRACKET RB1	24" [610mm] ABOVE PIT FLOOR	TOTAL RISE		

PIT / OVERHEAD REQUIREMENTS			
MAX. SPEED (ft/min)	MIN. PIT	TOTAL TRAVEL	MINIMUM OVERHEAD
36	8" ***		92" (2337)

*** NOTE: Additional pit equipment required when over 36" [914.4mm] deep, consult your local dealer for details

DOCUMENT REVISION 001, DATE: 04/26/07



A CLEAR INSIDE CAB LENGTH		B OVERALL CAB LENGTH		C FINISHED RUNWAY LENGTH		D RAIL CENTER LINE	
mm	Inches	mm	Inches	mm	Inches	mm	Inches
1219	48	1308	51 1/2	1422	56	660	26
1372	54	1461	57 1/2	1575	62	737	29
1524	60	1613	63 1/2	1727	68	864	34

RESIDENTIAL ELEVATOR
INFINITY MODEL 3654 TYPE 4

CUSTOMER:	DATE:	
PROJECT:	REVISION DATE:	
LOCATION:	COMPLETED BY:	

AND MAY NOT BE USED BY OTHERS WITHOUT PRIOR WRITTEN CONSENT