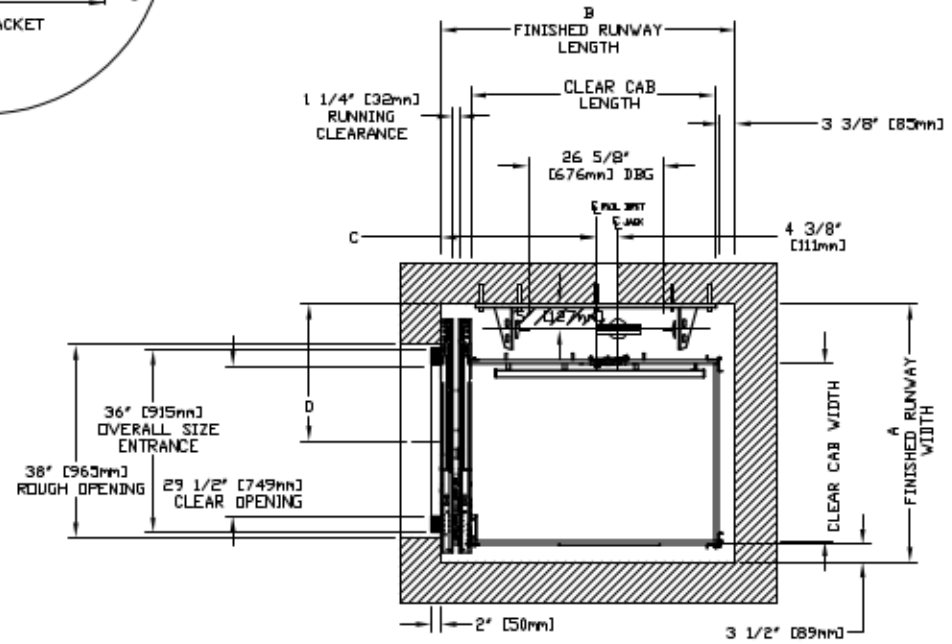
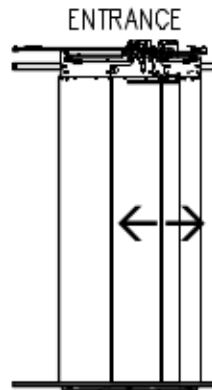
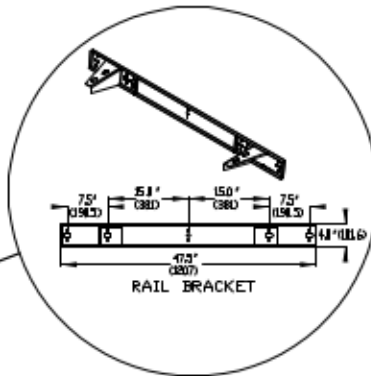
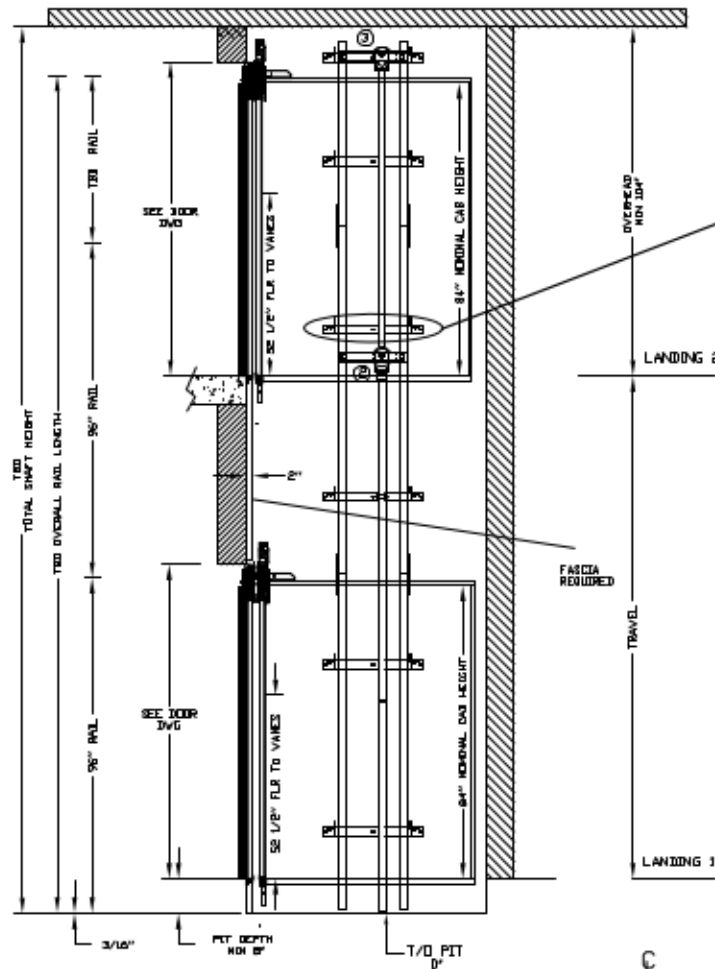


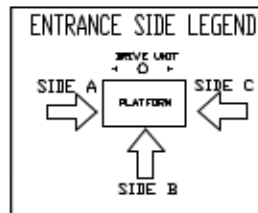
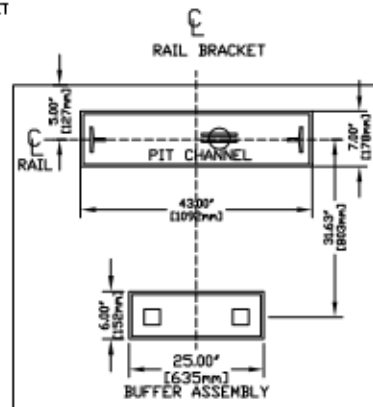
INFINITY AUTO SLIM DOORS Model TYPE 1L-29 1/2"-SLIM



CLEAR INSIDE CAB WIDTH		CLEAR INSIDE CAB LENGTH		A FINISHED RUNWAY WIDTH		B FINISHED RUNWAY LENGTH		C RAIL CENTER LINE		D DOOR CENTER LINE	
mm	Inches	mm	Inches	mm	Inches	mm	Inches	mm	Inches	mm	Inches
886	34 7/8	1219	48	1292	50 7/8	1473	58	775	30.5	686	27
886	34 7/8	1372	54	1292	50 7/8	1626	64	826	32.5	686	27
886	34 7/8	1524	60	1292	50 7/8	1778	70	902	35.5	686	27

DOCUMENT REVISION 001, DATE: 03/27/17

RAIL FORCES		R3 NOTE:	
*R1	*R2	PIT FLOOR TO SUPPORT LOAD OF: 5.6Kips * (INCLUDES IMPACT)	
304lbf.	194lbf.	FOR TOTAL PULL-OUT FORCE ON RAIL BRACKET, R1 MUST BE DOUBLED UP.	
RAIL WEIGHT: 80 lbs / ft			



RESIDENTIAL ELEVATOR INFINITY SLIMS DOORS TYPE 1L-29 1/2"-SLIM

ALL INFORMATION IS SUBJECT TO CHANGE. PLEASE REFERENCE OUR ON-LINE DRAWINGS AT www.savaria.com FOR THE MOST RECENT UPDATES

THE INFORMATION REPRODUCED HEREIN IS THE SOLE PROPERTY OF **savaria** SHEET 1/1

RAIL BRACKET