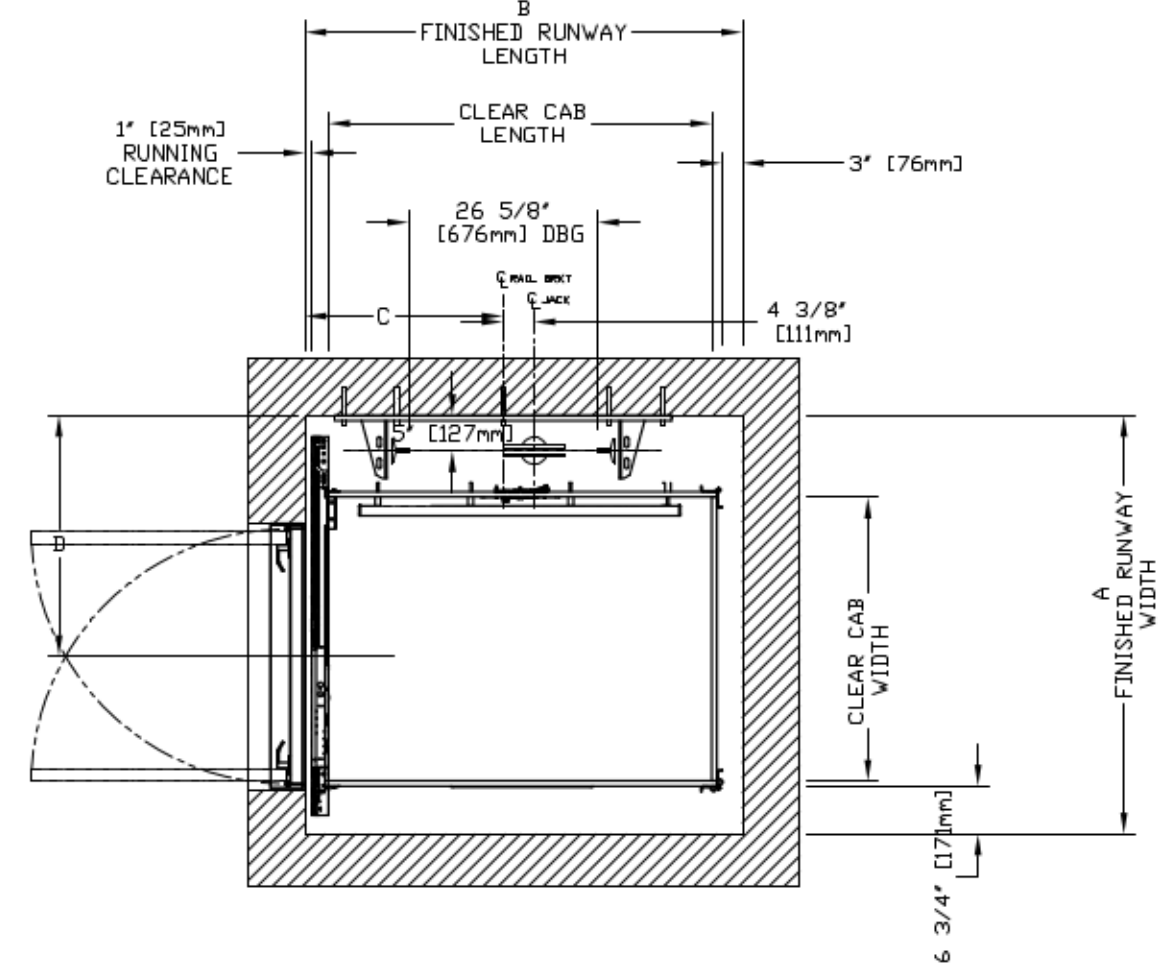
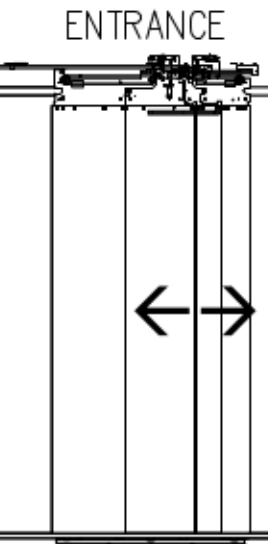
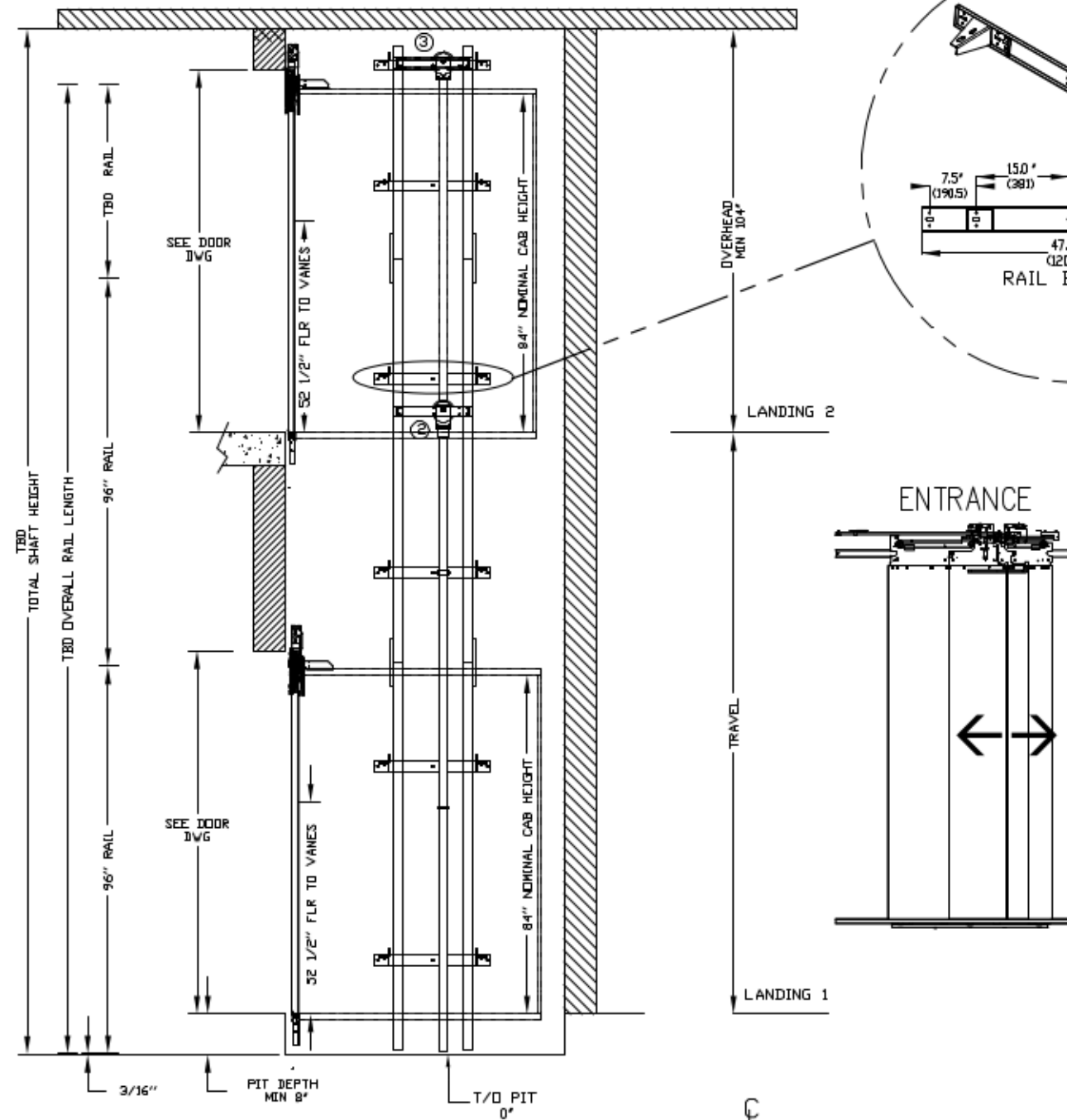


INFINITY AUTO SLIM DOORS W Swing Door Model TYPE 1L

CHARACTERISTICS

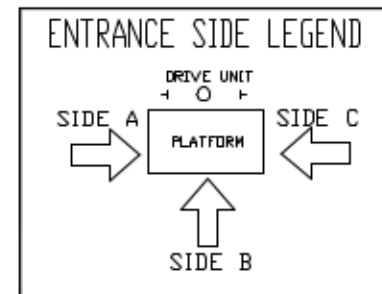
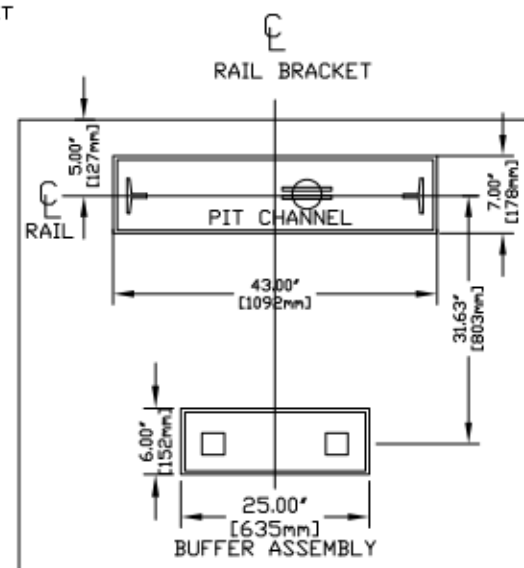
- CAB DOOR TYPE: AUTO SLIM 2 SPEED DOORS
- ENTRANCE DOOR TYPE: AUTO SLIM 2 SPEED DOORS
- 2 SPEED DOORS FINISH: PAINT OR STAINLESS STEEL
- FULLY AUTOMATIC OPERATION TO OPEN THE DOORS UPON ARRIVAL AT THE LANDING
- LIGHTWEIGHT ALUMINUM SILL
- EMERGENCY BACK-UP BATTERY SYSTEM
- INFRARED DETECTION SYSTEM TO RETRACT DOORS BEFORE HITTING AN OBSTRUCTION



CLEAR INSIDE CAB WIDTH		CLEAR INSIDE CAB LENGTH		A FINISHED RUNWAY WIDTH		B FINISHED RUNWAY LENGTH		C RAIL CENTER LINE		D DOOR CENTER LINE	
mm	Inches	mm	Inches	mm	Inches	mm	Inches	mm	Inches	mm	Inches
914	36	1219	48	1499	59	1397	55	692	27 1/4	838	33
914	36	1372	54	1499	59	1549	61	768	30 1/4	838	33
914	36	1524	60	1499	59	1702	67	845	33 1/4	838	33
1016	40	1372	54	1524	60	1549	61	768	30 1/4	864	34
1219	48	1524	60	1626	64	1702	67	845	33 1/4	864	34

DOCUMENT REVISION 002, DATE: 09/04/18

RAIL FORCES		R3 NOTE:	
*R1	*R2	PIT FLOOR TO SUPPORT LOAD OF:	
304lbf.	194lbf.	5.6Klps * (INCLUDES IMPACT)	
FOR TOTAL PULL-OUT FORCE ON RAIL BRACKET, R1 MUST BE DOUBLED eg.			
RAIL WEIGHT : 8.0 lbs / Ft			



RESIDENTIAL ELEVATOR INFINITY SLIMS DOORS W Swing Door TYPE 1L

ALL INFORMATION IS SUBJECT TO CHANGE. PLEASE REFERENCE OUR ON-LINE DRAWINGS AT www.savaria.com FOR THE MOST RECENT UPDATES

THE INFORMATION DISCLOSED HEREIN IS THE EXCLUSIVE PROPERTY OF **savaria**