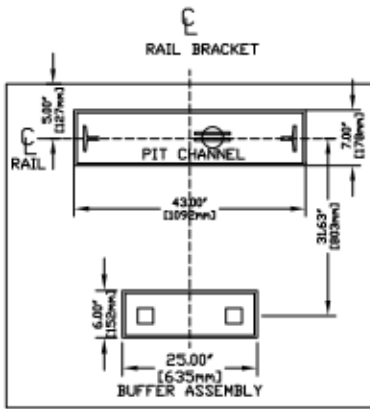
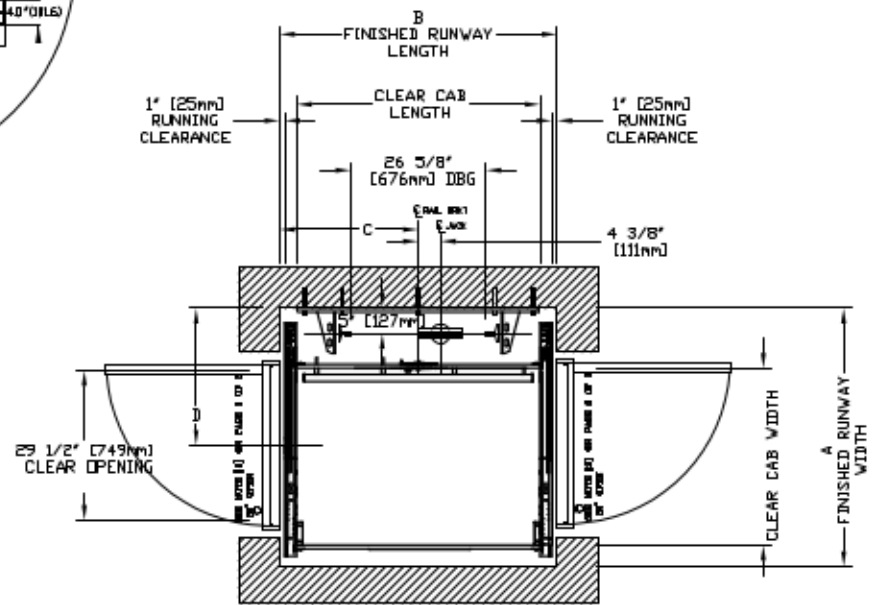
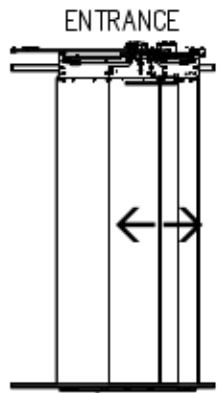
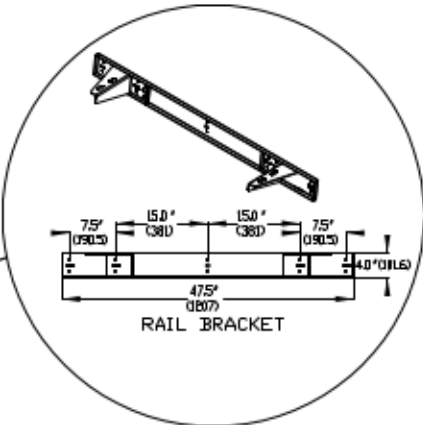
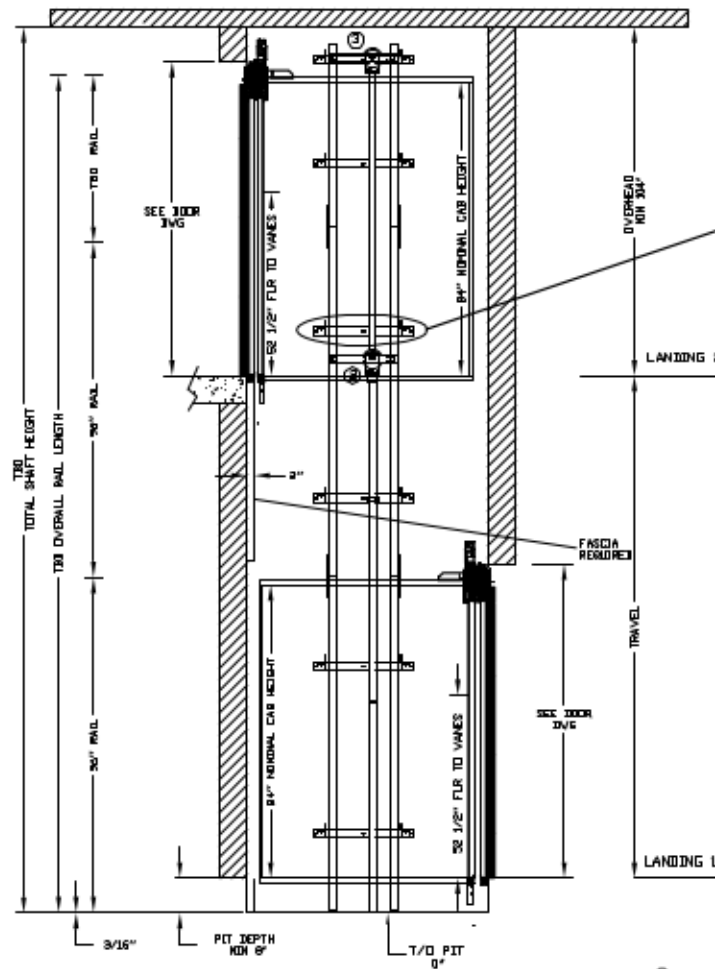
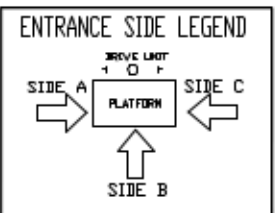


INFINITY AUTO SLIM DOORS Model TYPE 2-29 1/2"-SWING



CLEAR INSIDE CAB WIDTH		CLEAR INSIDE CAB LENGTH		A FINISHED RUNWAY WIDTH		B FINISHED RUNWAY LENGTH		C RAIL CENTER LINE		D DOOR CENTER LINE	
mm	Inches	mm	Inches	mm	Inches	mm	Inches	mm	Inches	mm	Inches
886	34 7/8	1219	48	1292	50 7/8	1387	54 5/8	694	27 5/16	686	27
886	34 7/8	1372	54	1292	50 7/8	1540	60 5/8	770	30 5/16	686	27
886	34 7/8	1524	60	1292	50 7/8	1692	66 5/8	846	33 5/16	686	27

RAIL FORCES		R3 NOTE:	
		PIT FLOOR TO SUPPORT LOAD OF: 5.6kips * (INCLUDES IMPACT)	
*R1	*R2	FOR TOTAL PULL-OUT FORCE ON RAIL BRACKET, R1 MUST BE DOUBLED eq.	
304lbf.	194lbf.		
RAIL WEIGHT = 8.0 lbs / ft			



CHARACTERISTICS

- CAB DOOR TYPE: AUTO SLIM 2 SPEED DOORS
- ENTRANCE DOOR TYPE: AUTO SLIM 2 SPEED DOORS
- 2 SPEED DOORS FINISH: PAINT OR STAINLESS STEEL
- FULLY AUTOMATIC OPERATION TO OPEN THE DOORS UPON ARRIVAL AT THE LANDING
- LIGHTWEIGHT ALUMINUM SILL
- EMERGENCY BACK-UP BATTERY SYSTEM
- INFRARED DETECTION SYSTEM TO RETRACT DOORS BEFORE HITTING AN OBSTRUCTION

DOCUMENT REVISION 001, DATE: 03/28/17

RESIDENTIAL ELEVATOR
INFINITY SLIMS DOORS TYPE 2-29 1/2"-SWING

ALL INFORMATION IS SUBJECT TO CHANGE.
PLEASE REFERENCE OUR ON-LINE DRAWINGS AT
[WWW.SAVARIA.COM](http://www.savaria.com) FOR THE MOST RECENT UPDATES

THE INFORMATION REPRODUCED HEREIN IS THE SOLE PROPERTY OF

SAVARIA

SAVARIA HAS NOT BEEN KEPT UP TO DATE BY OTHER VENDOR FROM VENDOR COMPANY

PROJECT# 1/1

RAIL BRACKET