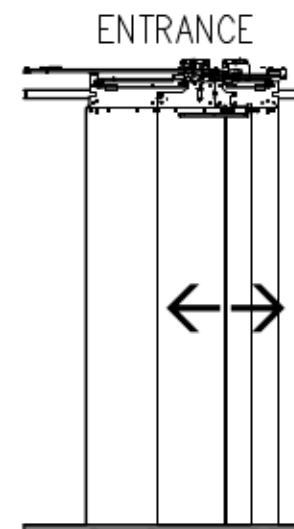
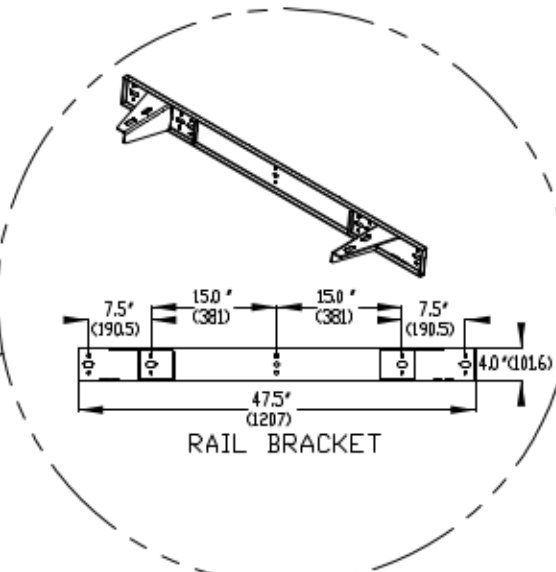
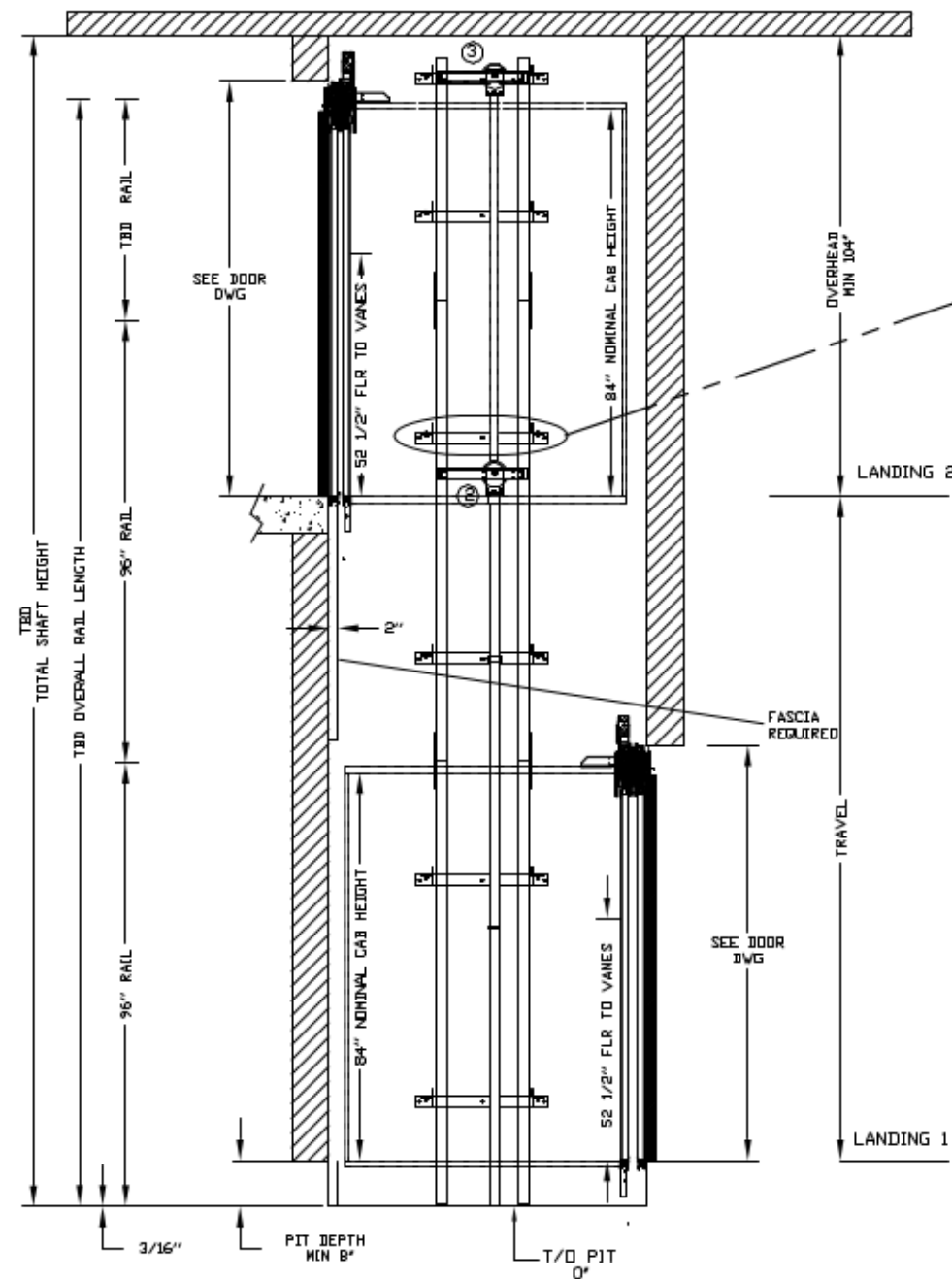
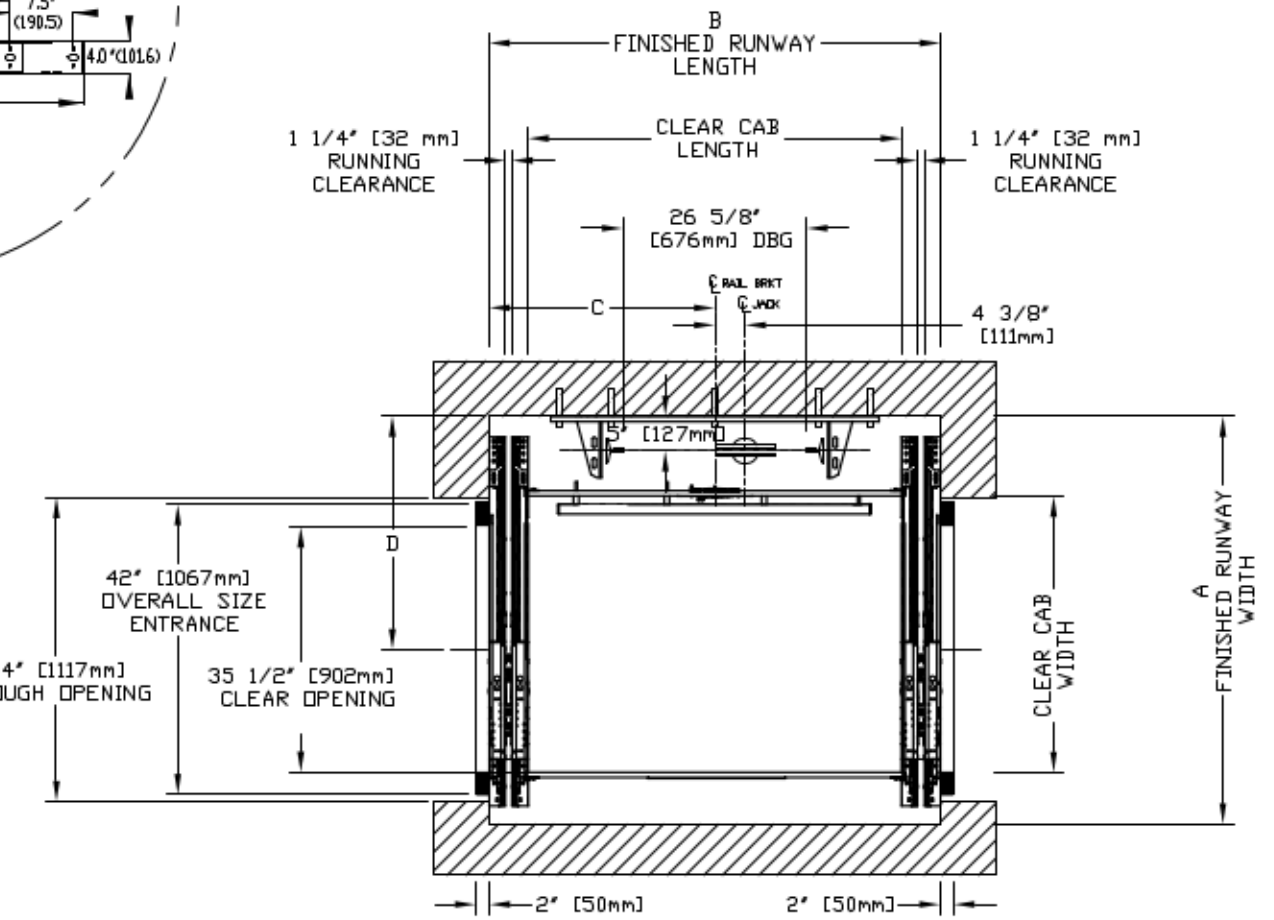


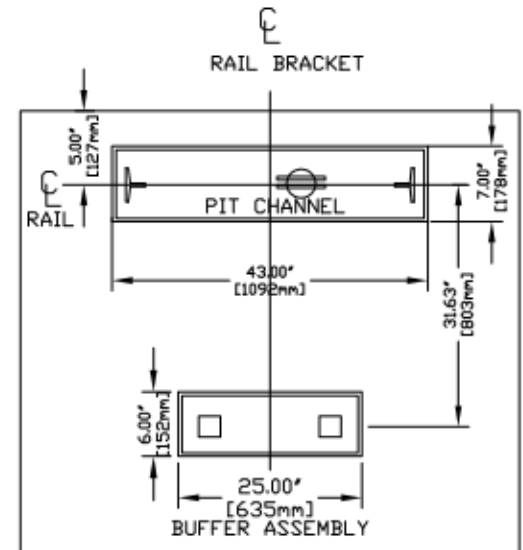
# INFINITY AUTO SLIM DOORS Model TYPE 2



- ## CHARACTERISTICS
- CAB DOOR TYPE: AUTO SLIM 2 SPEED DOORS
  - ENTRANCE DOOR TYPE: AUTO SLIM 2 SPEED DOORS
  - 2 SPEED DOORS FINISH: PAINT OR STAINLESS STEEL
  - FULLY AUTOMATIC OPERATION TO OPEN THE DOORS UPON ARRIVAL AT THE LANDING
  - LIGHTWEIGHT ALUMINUM SILL
  - EMERGENCY BACK-UP BATTERY SYSTEM
  - INFRARED DETECTION SYSTEM TO RETRACT DOORS BEFORE HITTING AN OBSTRUCTION

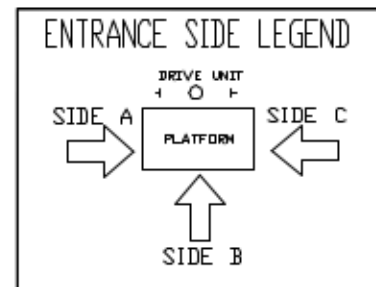


CLEAR INSIDE CAB WIDTH		CLEAR INSIDE CAB LENGTH		A FINISHED RUNWAY WIDTH		B FINISHED RUNWAY LENGTH		C RAIL CENTER LINE		D DOOR CENTER LINE	
mm	Inches	mm		mm	Inches	mm	Inches	mm	Inches	mm	Inches
914	36	1219	48	1499	59	1518	59 3/4	759	29 7/8	838	33.00
914	36	1372	54	1499	59	1670	65 3/4	835	32 7/8	838	33.00
914	36	1524	60	1499	59	1822	71 3/4	911	35 7/8	838	33.00
1016	40	1372	54	1524	60	1670	65 3/4	835	32 7/8	883	34 3/4
1219	48	1524	60	1626	64	1803	71	902	35 1/2	857	33 3/4



RAIL FORCES		R3 NOTE:	
		PIT FLOOR TO SUPPORT LOAD OF: 5.6Kips * (INCLUDES IMPACT)	
*R1	*R2	FOR TOTAL PULL-OUT FORCE ON RAIL BRACKET, R1 MUST BE DOUBLED eg.	
304lbf.	194lbf.		
RAIL WEIGHT : 8.0 lbs / ft			

RAIL BRACKET



DOCUMENT REVISION 001, DATE: 11/18/10

## RESIDENTIAL ELEVATOR INFINITY SLIMS DOORS TYPE 2

ALL INFORMATION IS SUBJECT TO CHANGE. PLEASE REFERENCE OUR ON-LINE DRAWINGS AT [www.savaria.com](http://www.savaria.com) FOR THE MOST RECENT UPDATES

THE INFORMATION DISCLOSED HEREIN IS THE EXCLUSIVE PROPERTY OF

SHEET# 1/1

AND MAY NOT BE USED BY OTHERS WITHOUT PRIOR WRITTEN CONSENT