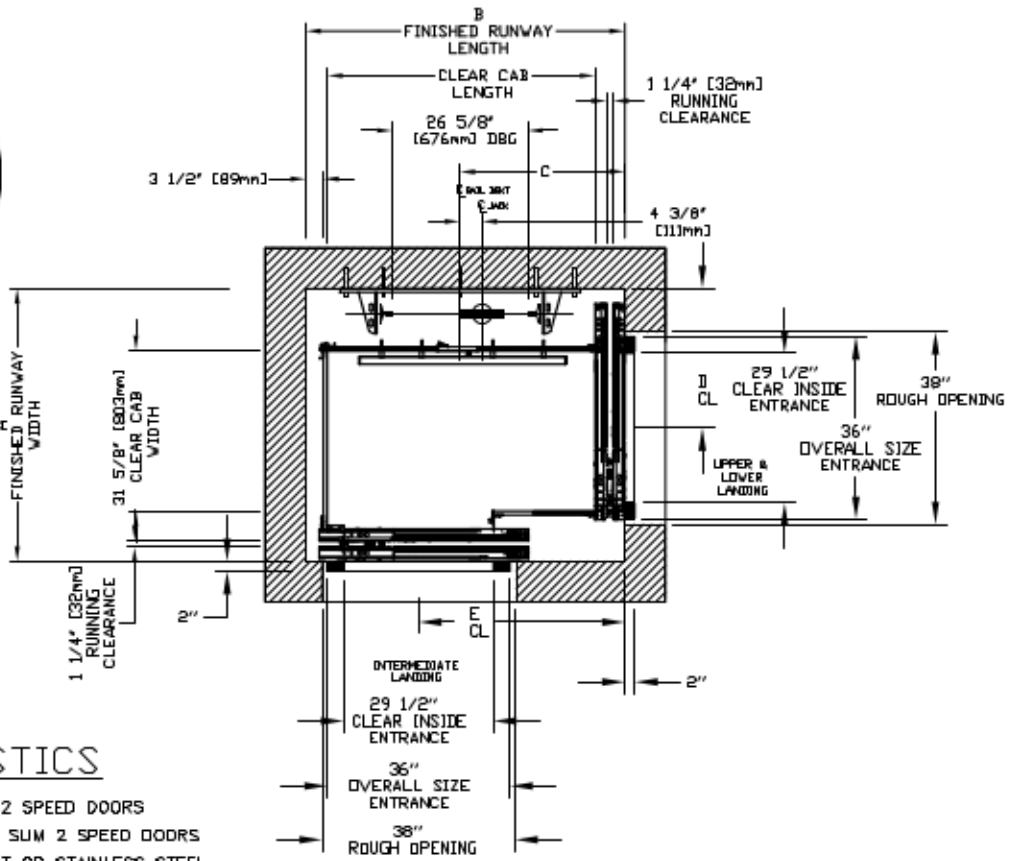
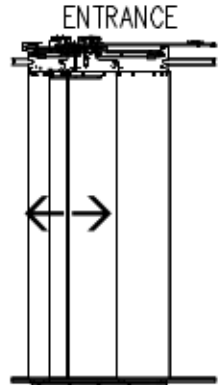
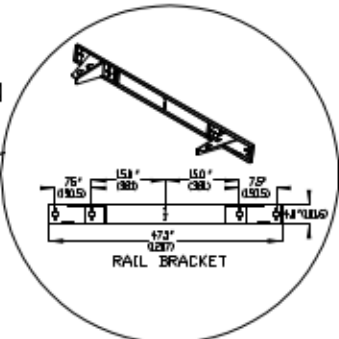
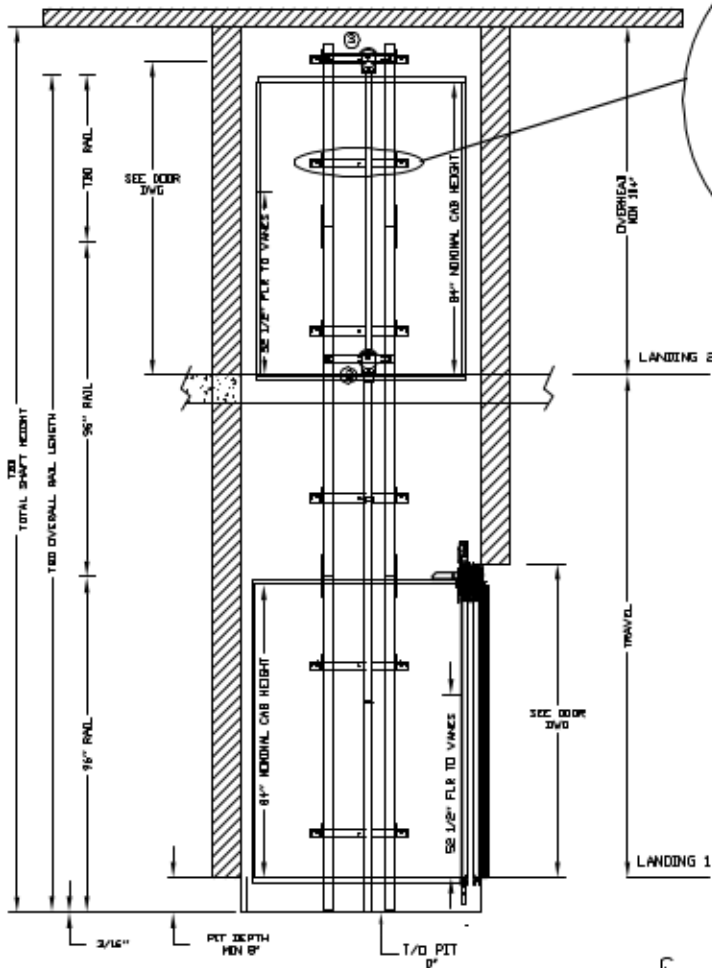


INFINITY AUTO SLIM DOORS Model TYPE 3-29 1/2"-SLIM

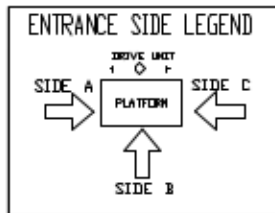
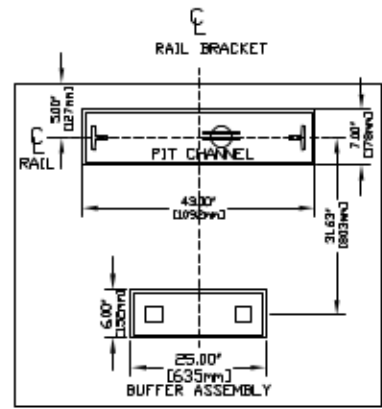


CHARACTERISTICS

- CAB DOOR TYPE: AUTO SLIM 2 SPEED DOORS
- ENTRANCE DOOR TYPE: AUTO SLIM 2 SPEED DOORS
- 2 SPEED DOORS FINISH: PAINT OR STAINLESS STEEL
- FULLY AUTOMATIC OPERATION TO OPEN THE DOORS UPON ARRIVAL AT THE LANDING LIGHTWEIGHT ALUMINUM SILL
- EMERGENCY BACK-UP BATTERY SYSTEM
- INFRARED DETECTION SYSTEM TO RETRACT DOORS BEFORE HITTING AN OBSTRUCTION

CLEAR INSIDE CAB WIDTH		CLEAR INSIDE CAB LENGTH		A FINISHED RUNWAY WIDTH		B FINISHED RUNWAY LENGTH		C RAIL CENTER LINE		D DOOR CENTER LINE		E DOOR CENTER LINE	
mm	Inches	mm	Inches	mm	Inches	mm	Inches	mm	Inches	mm	Inches	mm	Inches
803	31 5/8	1187	46 3/4	1365	53 3/4	1445	56 7/8	775	30 1/2	699	27 1/2	879	34 5/8
803	31 5/8	1340	52 3/4	1365	53 3/4	1597	62 7/8	826	32 1/2	699	27 1/2	1032	40 5/8
803	31 5/8	1492	58 3/4	1365	53 3/4	1749	68 7/8	902	35 1/2	699	27 1/2	1184	46 5/8

RAIL FORCES		R3 NOTE:	
		PIT FLOOR TO SUPPORT LOAD OF: 56Klbs * (INCLUDES IMPACT)	
*R1	*R2	FOR TOTAL PULL-OUT FORCE ON RAIL BRACKET, RL MUST BE DOUBLED @	
3040lb.	1941lb.		
RAIL WEIGHT: 81 lbs / ft			



DOCUMENT REVISION 001, DATE: 05/25/17

RESIDENTIAL ELEVATOR
INFINITY SLIMS DOORS TYPE 3-29 1/2"-SLIM

ALL INFORMATION IS SUBJECT TO CHANGE. PLEASE REFERENCE OUR ON-LINE DRAWINGS AT www.savaria.com FOR THE MOST RECENT UPDATES

THE INFORMATION SHOWN HEREON IS THE SOLE PROPERTY OF savaria. SHEET 1/1

RAIL BRACKET