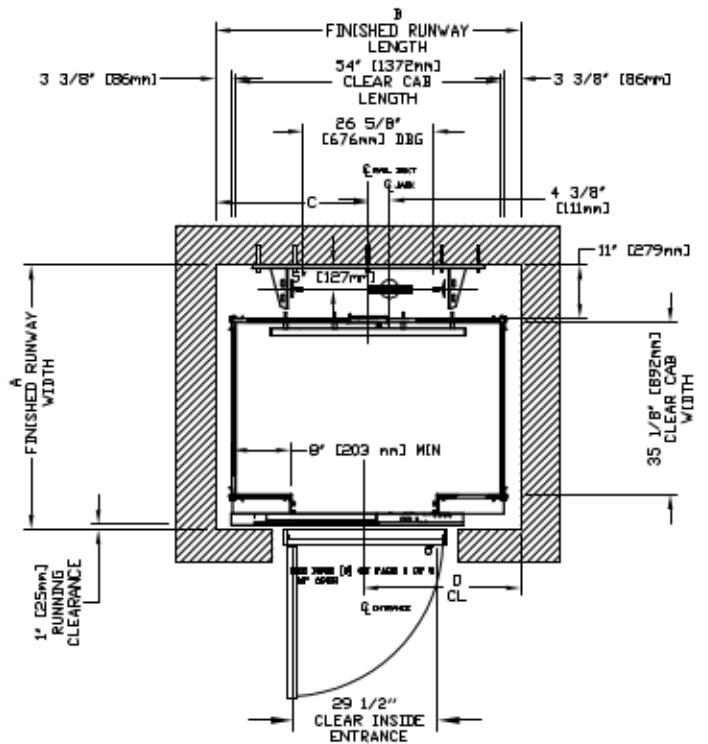
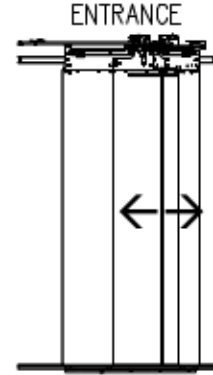
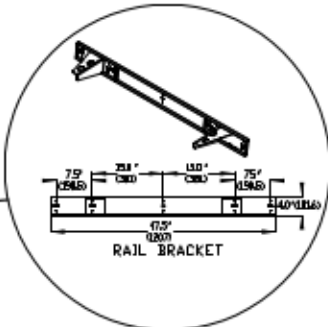
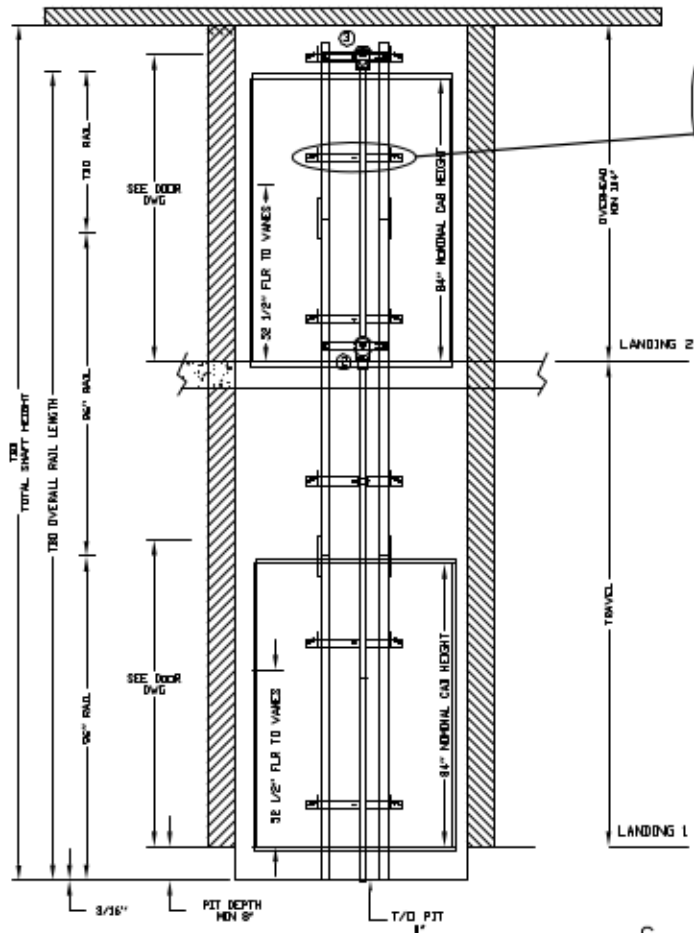


INFINITY AUTO SLIM DOORS Model TYPE 5-29 1/2"-SLIM



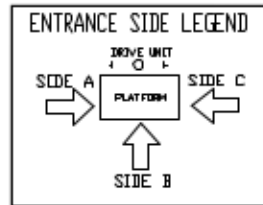
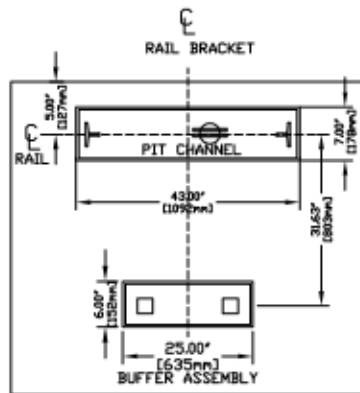
CHARACTERISTICS

- CAB DOOR TYPE: AUTO SLIM 2 SPEED DOORS
- ENTRANCE DOOR TYPE: AUTO SLIM 2 SPEED DOORS
- 2 SPEED DOORS FINISH: PAINT OR STAINLESS STEEL
- FULLY AUTOMATIC OPERATION TO OPEN THE DOORS UPON ARRIVAL AT THE LANDING LIGHTWEIGHT ALUMINUM SILL
- EMERGENCY BACK-UP BATTERY SYSTEM
- INFRARED DETECTION SYSTEM TO RETRACT DOORS BEFORE HITTING AN OBSTRUCTION

CLEAR INSIDE CAB WIDTH		CLEAR INSIDE CAB LENGTH		A FINISHED RUNWAY WIDTH		B FINISHED RUNWAY LENGTH		C RAIL CENTER LINE		D DOOR CENTER LINE	
mm	Inches	mm	Inches	mm	Inches	mm	Inches	mm	Inches	mm	Inches
892	35 1/8	1219	48	1372	54	1429	56 1/4	714	28 1/8	664	26 1/8
892	35 1/8	1372	54	1372	54	1581	62 1/4	791	31 1/8	816	32 1/8
892	35 1/8	1461	57 1/2	1372	54	1670	65 3/4	835	32 7/8	905	35 5/8

DOCUMENT REVISION 001, DATE: 06/12/17

RAIL FORCES		R3 NOTE:	
		PIT FLOOR TO SUPPORT LOAD OF: 5.6kps * (INCLUDES IMPACT)	
*R1	*R2	FOR TOTAL PULL-OUT FORCE ON RAIL BRACKET, R2 MUST BE DOUBLED UP.	
3041bf.	194bf.		
RAIL WEIGHT = 80 lbs / FT			



RESIDENTIAL ELEVATOR
INFINITY SLIMS DOORS TYPE 5-29 1/2"-SLIM

ALL INFORMATION IS SUBJECT TO CHANGE. PLEASE REFERENCE OUR ON-LINE DRAWINGS AT www.savaria.com FOR THE MOST RECENT UPDATES



RAIL BRACKET