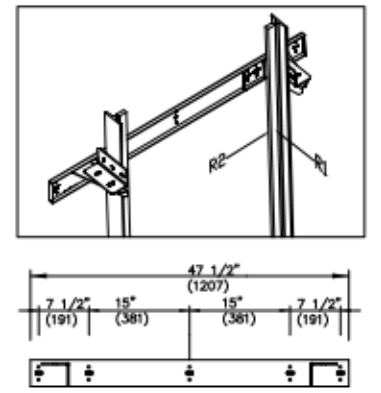
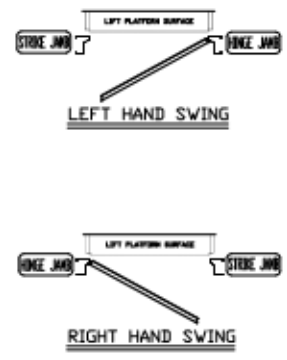
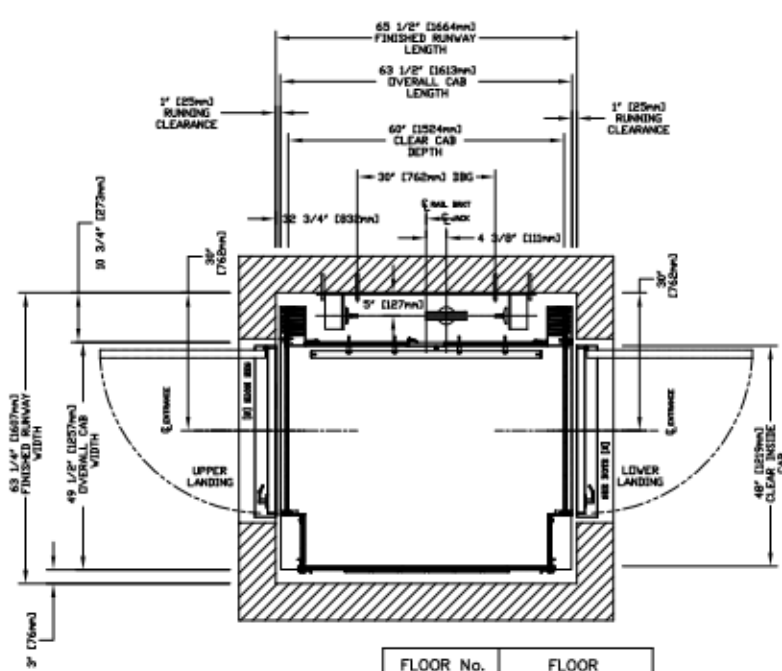
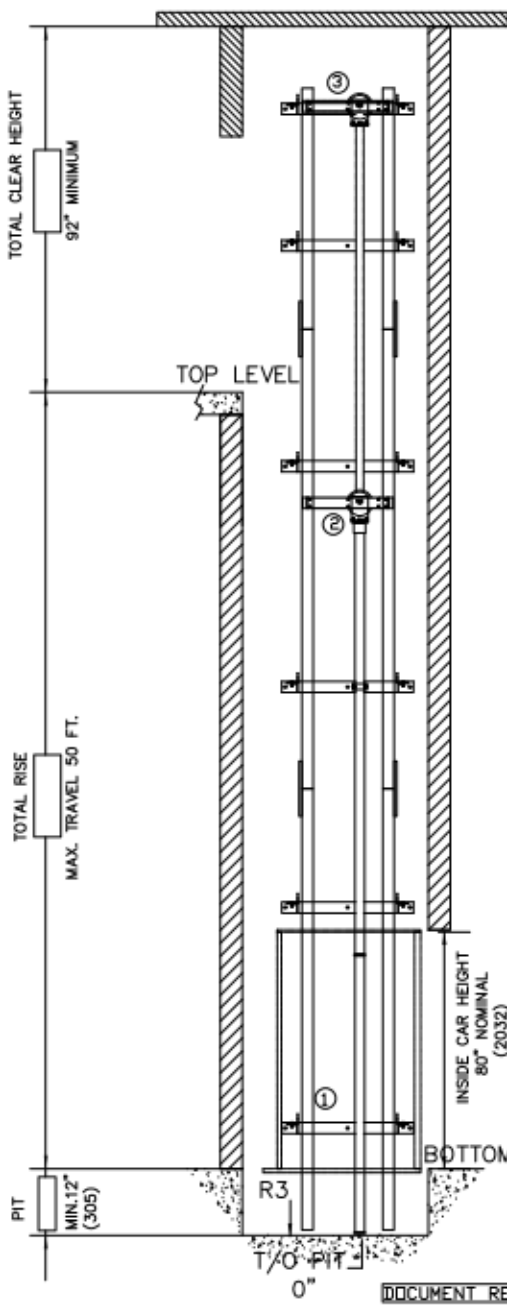


SECTIONAL VIEW - INFINITY HD Model 4860

PLAN VIEW - INFINITY HD Model 4860 TYPE 2



RAIL BRACKET

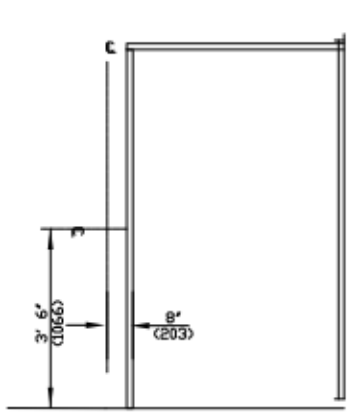
RAIL FORCES		R3 NOTE:	
		PIT FLOOR TO SUPPORT LOAD OF: 822kps * (INCLUDES IMPACT)	
*R1	*R2	FOR TOTAL FULL-OUT FORCE ON RAIL BRACKET, R3 MUST BE DOUBLED up B-44L3P.	
422lbf.	251lbf.	FOR LOCAL APPLICATION OF PIT LOAD, SEE PIT CHANNEL/BUFFER SKETCH.	
RAIL WEIGHT: 80 lbs / ft			

TOP RAIL BRACKET ③	AT TOP OF HOISTWAY CONSULT YOUR CONCORD REPRESENTATIVE FOR EXACT LOCATION
INTERMEDIATE RAIL BRACKET ②	48" INTERVALS ABOVE BOTTOM BRACKET
BOTTOM RAIL BRACKET ①	24" ABOVE PIT FLOOR

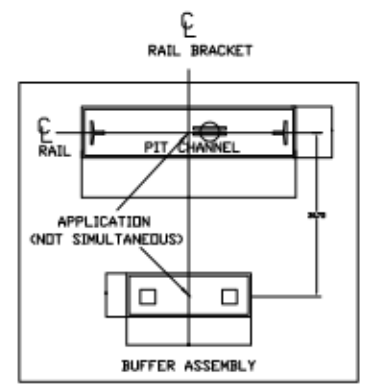
FLOOR No.		FLOOR HEIGHT
REAR	FRONT	
TOTAL RISE		

PIT / OVERHEAD REQUIREMENTS			
MAX. SPEED (ft/min)	MIN. PIT	TOTAL TRAVEL	MINIMUM OVERHEAD
30	12" ***	92"(2337)	

*** NOTE: Additional pit equipment required when over 36" deep, consult your local dealer for details



HALL FIXTURE LOCATION
LEFT HAND AS SHOWN
RIGHT HAND OPPOSITE
I. HALL BOTTOM AT ALL FLOORS



DOCUMENT REVISION #002, DATE: 01/10/18

RESIDENTIAL ELEVATOR
INFINITY HD MODEL 4860

CUSTOMER:	DATE:		
PROJECT:	ISSUE NO:		
LOCATION:	ISSUED BY:		
JOB No.		SHEET No.	