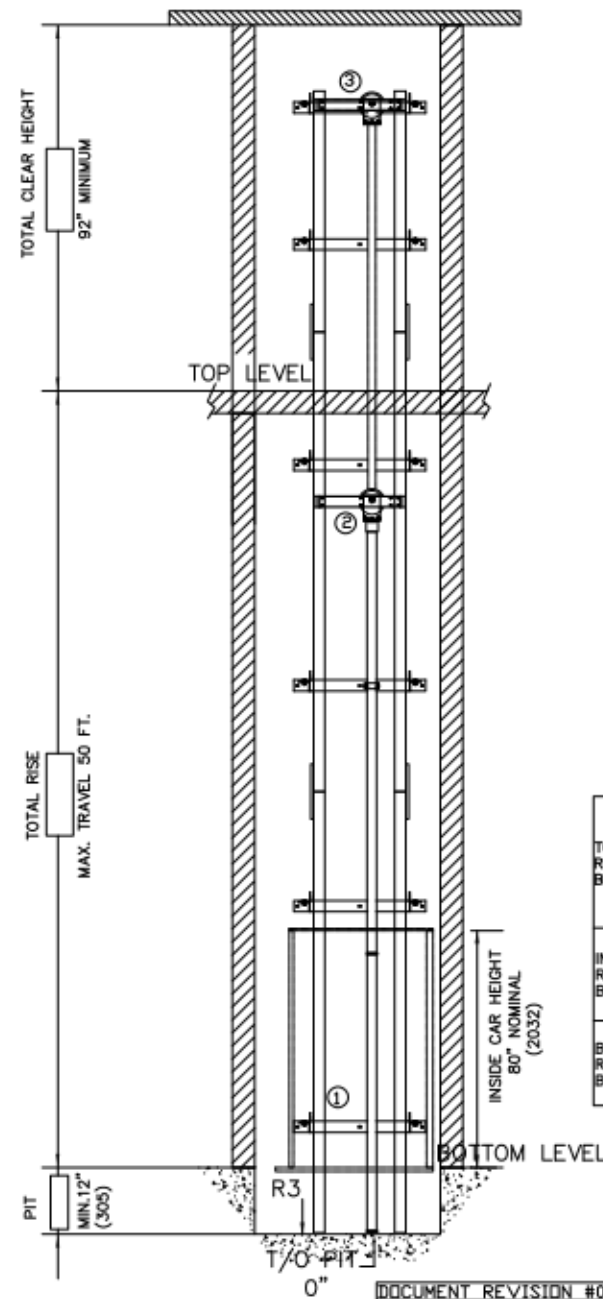
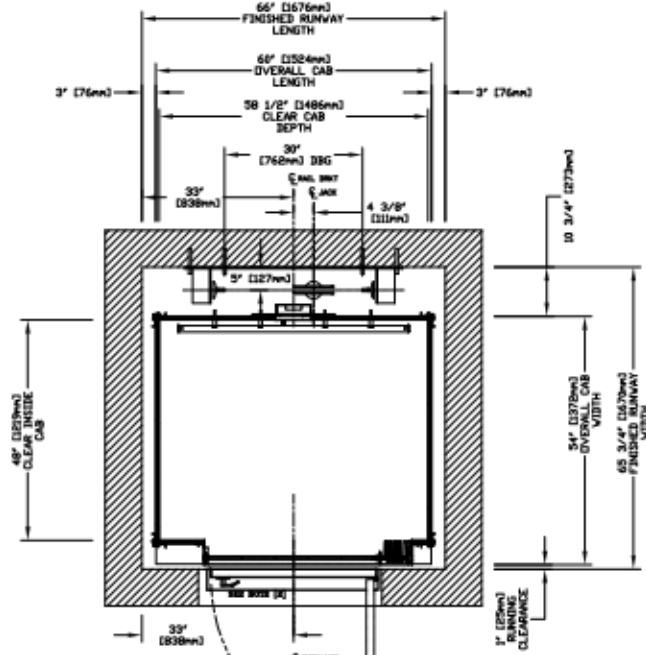


SECTIONAL VIEW - INFINITY HD Model 4860



PLAN VIEW - INFINITY HD Model 4860 TYPE 5-4

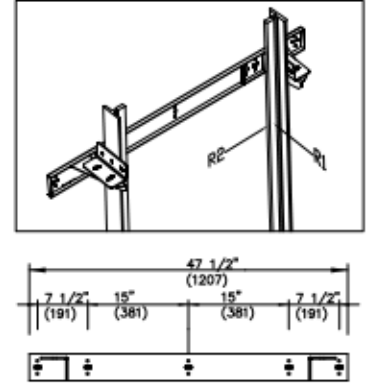
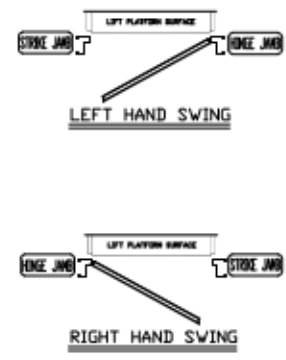


TOP RAIL BRACKET ③	AT TOP OF HOISTWAY CONSULT YOUR CONCORD REPRESENTATIVE FOR EXACT LOCATION
INTERMEDIATE RAIL BRACKET ②	48" INTERVALS ABOVE BOTTOM BRACKET
BOTTOM RAIL BRACKET ①	24" ABOVE PIT FLOOR

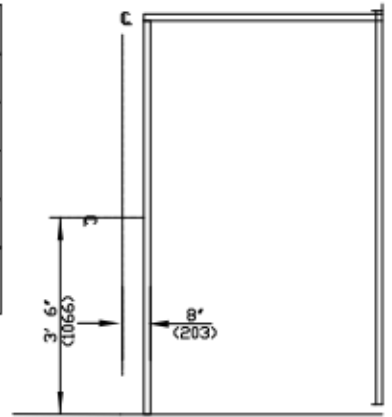
FLOOR No.		FLOOR HEIGHT
REAR	FRONT	
TOTAL RISE		

PIT / OVERHEAD REQUIREMENTS			
MAX. SPEED (ft/min)	MIN. PIT	TOTAL TRAVEL	MINIMUM OVERHEAD
30	12" ***	92"	2337

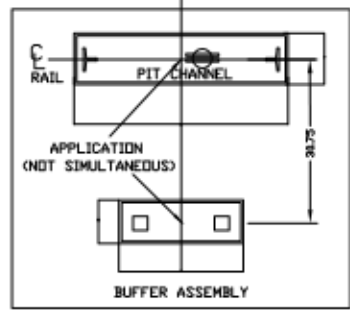
\*\*\* NOTE: Additional pit equipment required when over 36" deep, consult your local dealer for details



RAIL FORCES		R3 NOTE:	
		PIT FLOOR TO SUPPORT LOAD OF: 8.82kips * (INCLUDES IMPACT)	
*R1 422lbf.	*R2 251lbf.	FOR TOTAL PULL-OUT FORCE ON RAIL BRACKET, R1 MUST BE DOUBLED eg. 844LBF.	
RAIL WEIGHT: 8.8 lbs / ft		FOR LOCAL APPLICATION OF PIT LOAD, SEE PIT CHANNEL/BUFFER SKETCH.	



HALL FIXTURE LOCATION  
LEFT HAND AS SHOWN  
RIGHT HAND OPPOSITE  
I. HALL BUTTON AT ALL FLOORS



RESIDENTIAL ELEVATOR  
INFINITY HD MODEL 4860

CUSTOMER:	DATE:		
PROJECT:	ISSUE NO:		
LOCATION:	ISSUED BY:		

DOCUMENT REVISION #002, DATE: 01/10/18