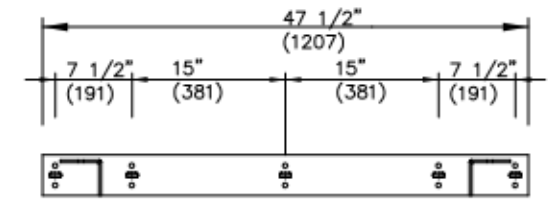
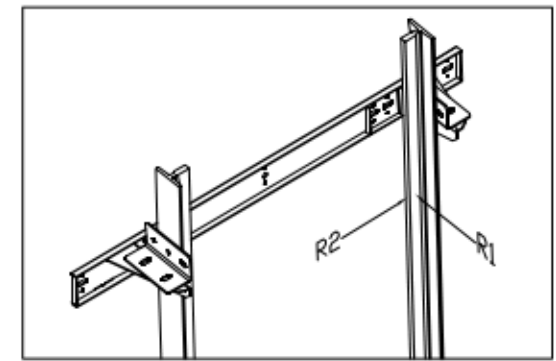
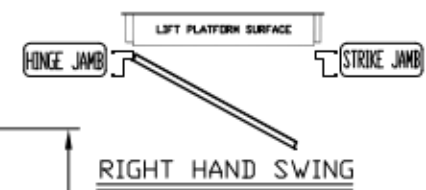
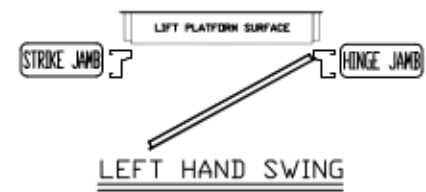
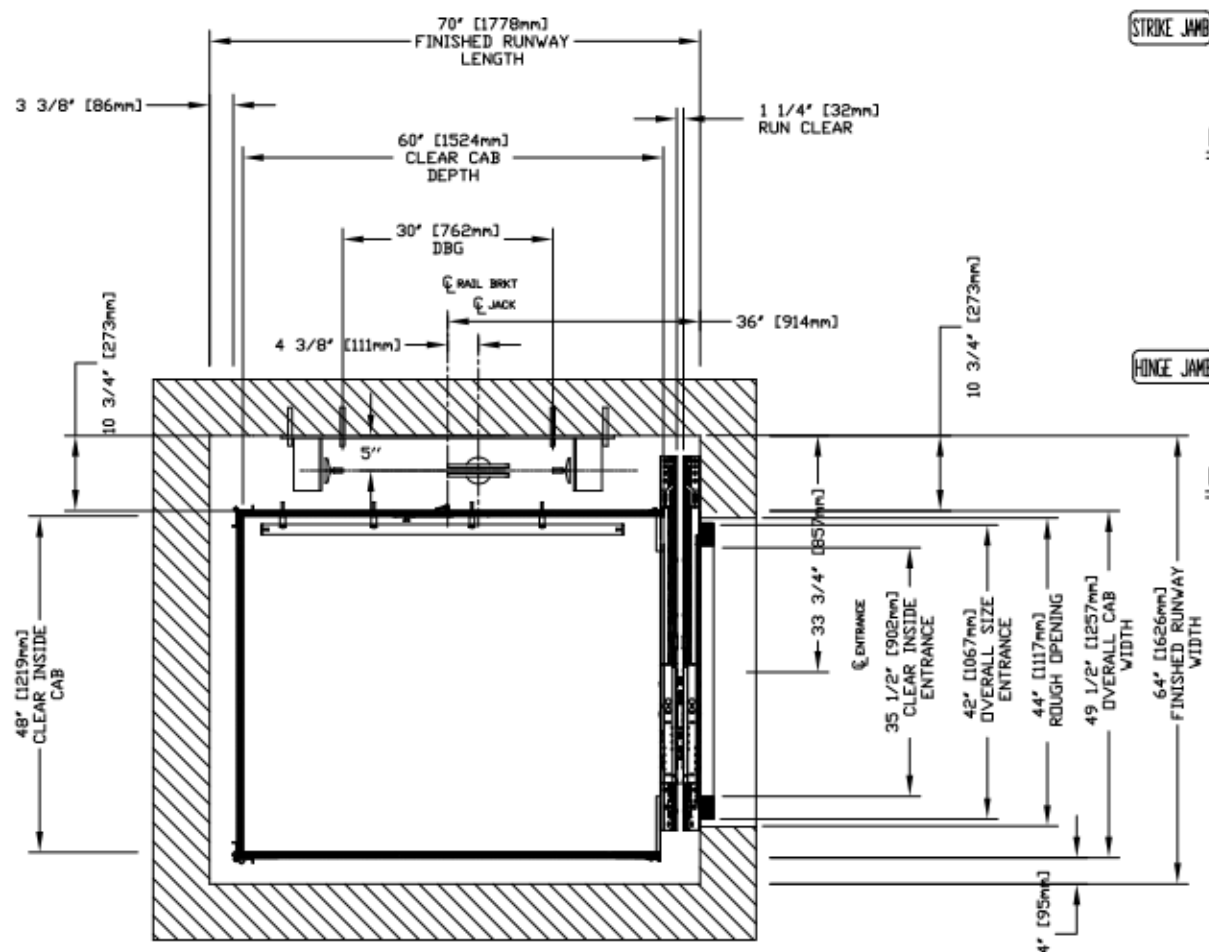
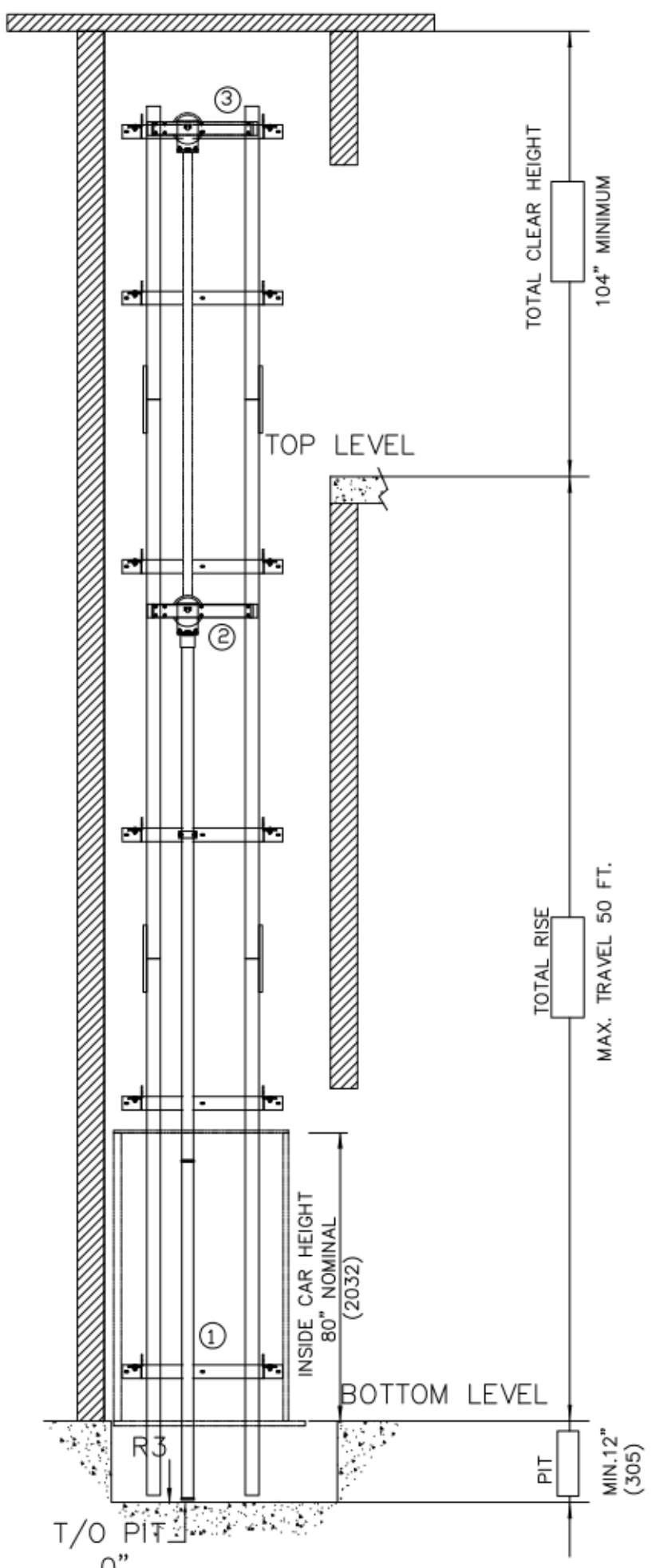


SECTIONAL VIEW - INFINITY HD Model 4860 2SPD

PLAN VIEW - INFINITY HD Model 4860 TYPE 1R 2SPD



RAIL BRACKET

RAIL FORCES		R3 NOTE:
		PIT FLOOR TO SUPPORT LOAD OF: 8.22Kips * (INCLUDES IMPACT)
*R1	*R2	FOR TOTAL PULL-OUT FORCE ON RAIL BRACKET, R1 MUST BE DOUBLED eg. 844LBF.
422lbf.	251lbf.	FOR LOCAL APPLICATION OF PIT LOAD, SEE PIT CHANNEL/BUFFER SKETCH.
RAIL WEIGHT: 8.0 lbs / ft		

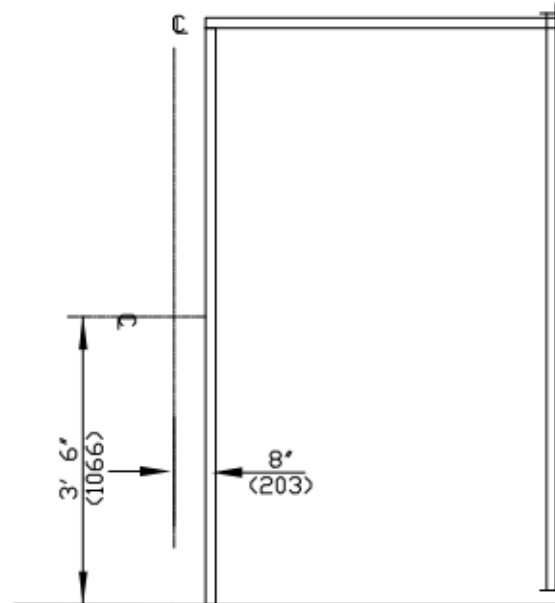
TOTAL RISE  
MAX. TRAVEL 50 FT.

TOP RAIL BRACKET ③	AT TOP OF HOISTWAY CONSULT YOUR CONCORD REPRESENTATIVE FOR EXACT LOCATION
INTERMEDIATE RAIL BRACKET ②	48" INTERVALS ABOVE BOTTOM BRACKET
BOTTOM RAIL BRACKET ①	24" ABOVE PIT FLOOR

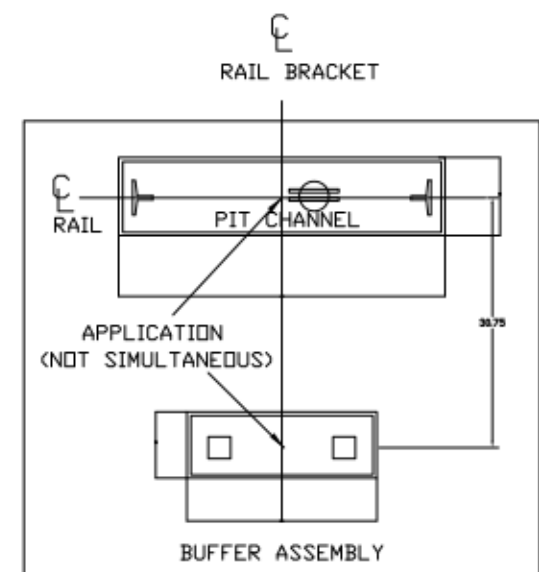
FLOOR No.		FLOOR HEIGHT
REAR	FRONT	
TOTAL RISE		

PIT / OVERHEAD REQUIREMENTS			
MAX. SPEED (ft/min)	MIN. PIT	TOTAL TRAVEL	MINIMUM OVERHEAD
30	12" ***		104"(2642)

\*\*\* NOTE: Additional pit equipment required when over 36" deep, consult your local dealer for details



HALL FIXTURE LOCATION  
LEFT HAND AS SHOWN  
RIGHT HAND OPPOSITE  
1. HALL BUTTON AT ALL FLOORS



T/O PIT 0"