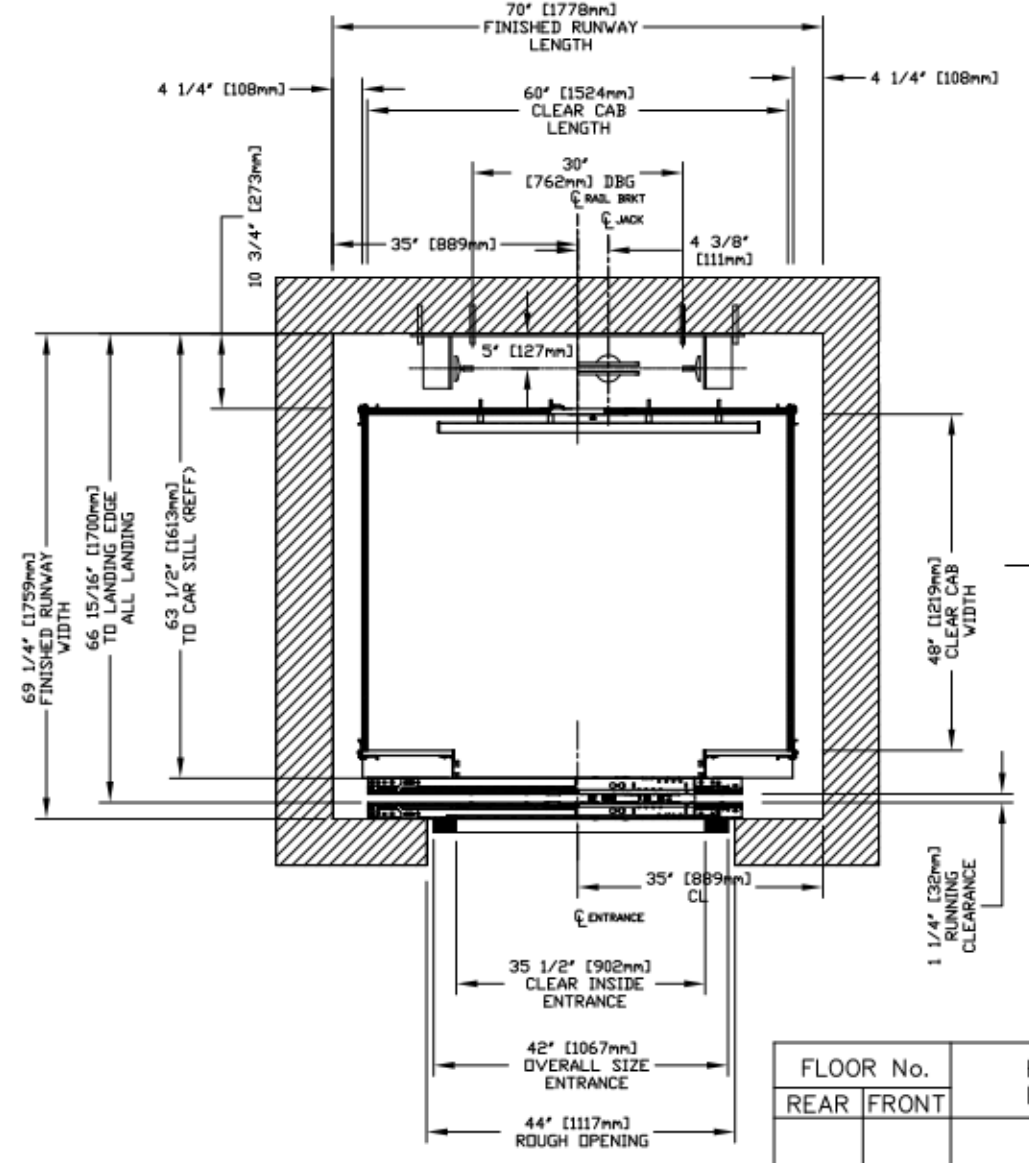
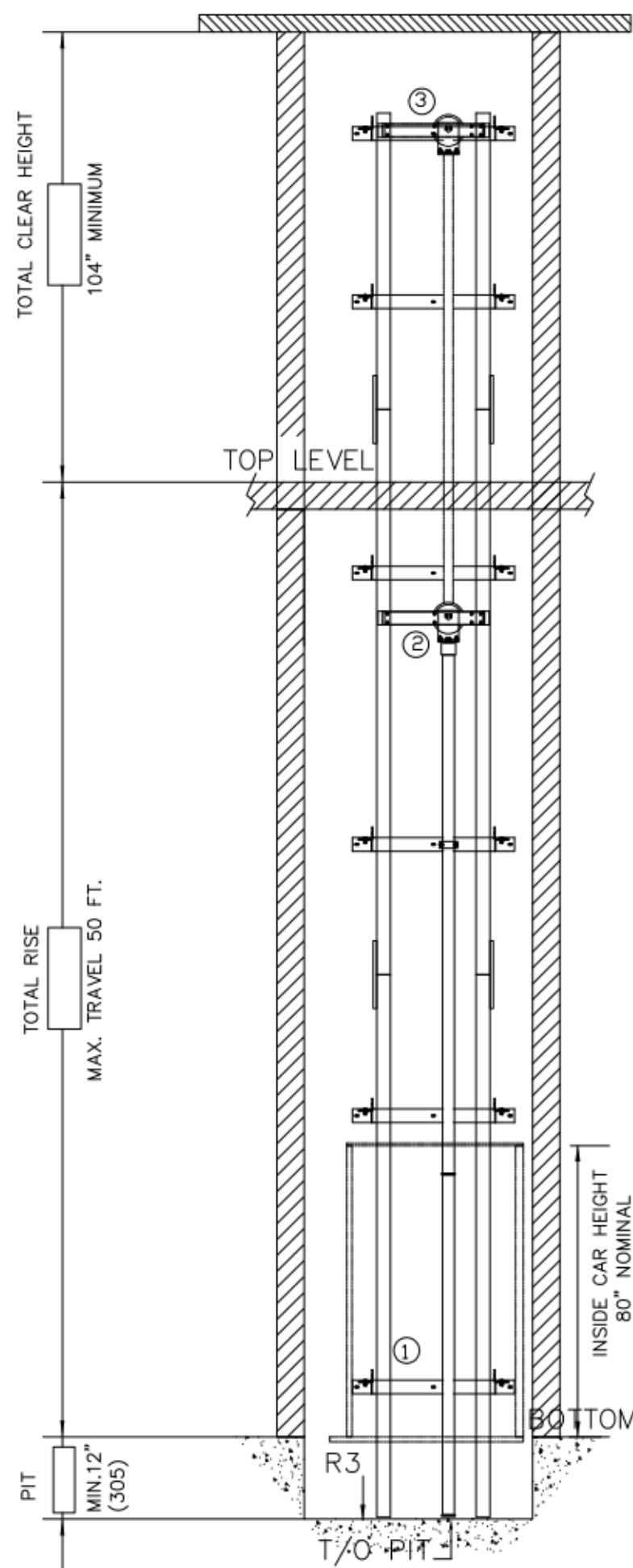


SECTIONAL VIEW - INFINITY HD Model 4860 2SPD

PLAN VIEW - INFINITY HD Model 4860 TYPE 5 2SPD

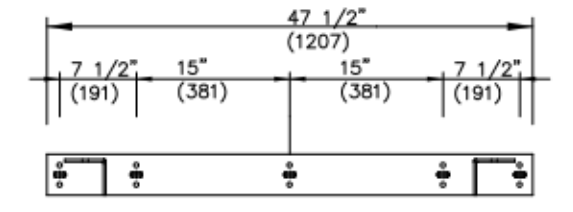
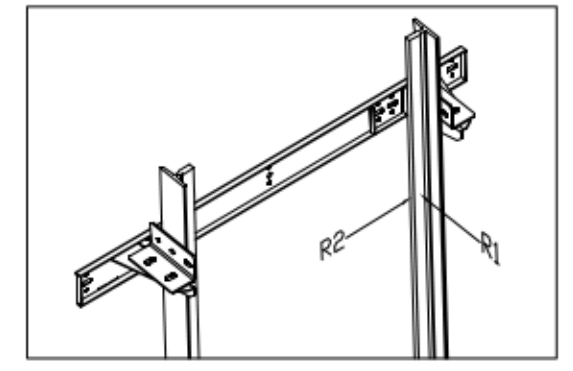
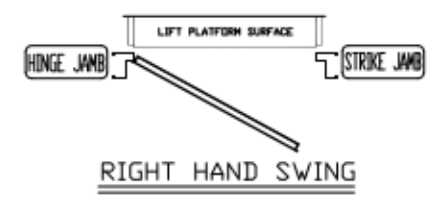
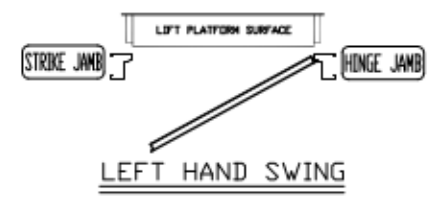


TOP RAIL BRACKET ③	AT TOP OF HOISTWAY CONSULT YOUR CONCORD REPRESENTATIVE FOR EXACT LOCATION
INTERMEDIATE RAIL BRACKET ②	48" INTERVALS ABOVE BOTTOM BRACKET
BOTTOM RAIL BRACKET ①	24" ABOVE PIT FLOOR

FLOOR No.		FLOOR HEIGHT
REAR	FRONT	
TOTAL RISE		

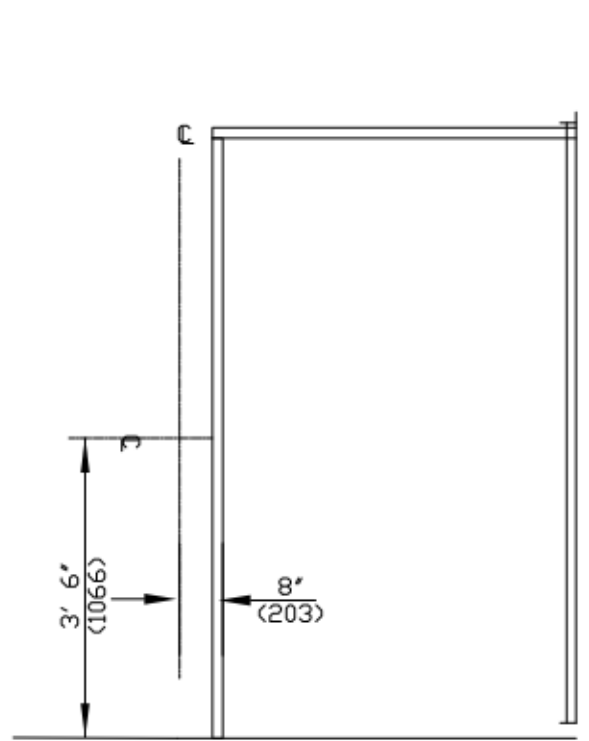
PIT / OVERHEAD REQUIREMENTS			
MAX. SPEED (ft/min)	MIN. PIT	TOTAL TRAVEL	MINIMUM OVERHEAD
30	12" ***		104"(2642)

*** NOTE: Additional pit equipment required when over 36" deep, consult your local dealer for details

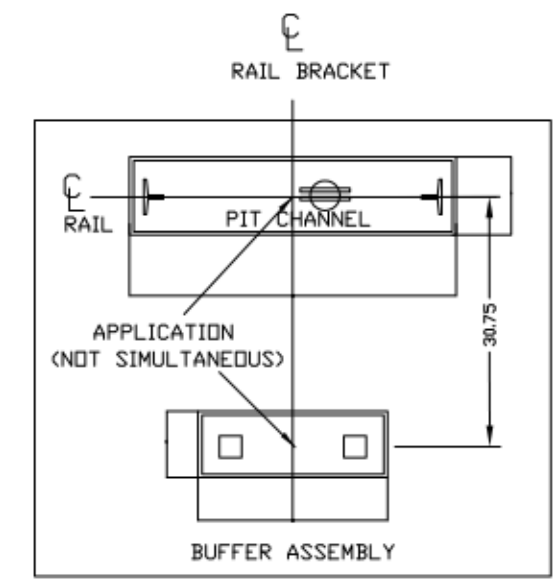


RAIL BRACKET

RAIL FORCES		R3 NOTE:
*R1	*R2	PIT FLOOR TO SUPPORT LOAD OF: 8.22klps * (INCLUDES IMPACT)
422lbf.	251lbf.	FOR TOTAL PULL-OUT FORCE ON RAIL BRACKET, R1 MUST BE DOUBLED eg. 844LBF.
RAIL WEIGHT: 8.0 lbs / ft		FOR LOCAL APPLICATION OF PIT LOAD, SEE PIT CHANNEL/BUFFER SKETCH.



HALL FIXTURE LOCATION
LEFT HAND AS SHOWN
RIGHT HAND OPPOSITE
1. HALL BUTTON AT ALL FLOORS



DOCUMENT REVISION #001, DATE: 01/10/18

RESIDENTIAL ELEVATOR
INFINITY HD MODEL 4860 2SPD

CUSTOMER:	DATE:		SHEET No.
PROJECT:	REVISION DATE:		
LOCATION:	COMPLETED BY:		