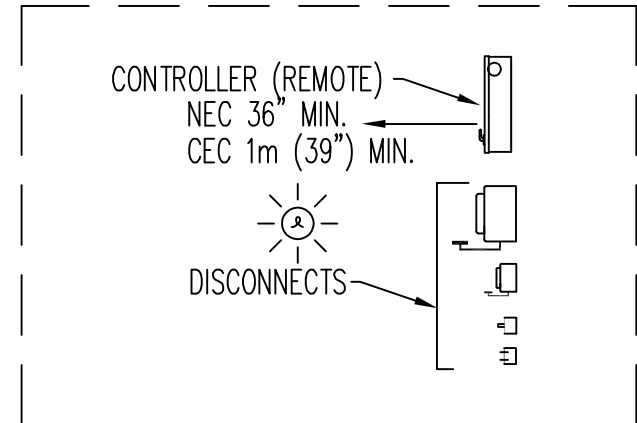
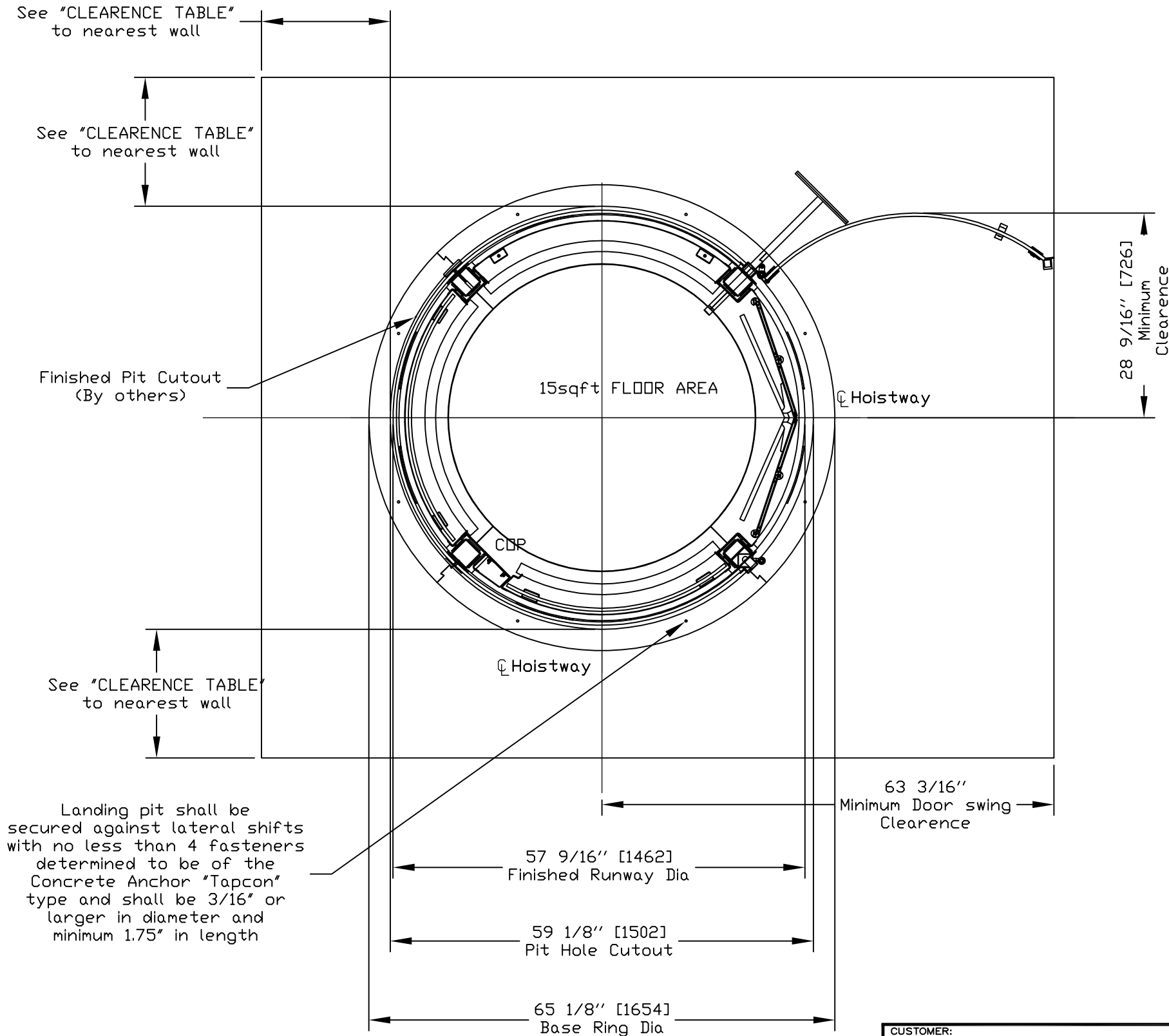


CLEARANCE TABLE

1 - WALL	2 - WALL	3 - WALL
4'	18" TO BOTH WALL	18" TO ALL 3 WALL

PLAN VIEW



DISCONNECTS AND CONTROLLER (REMOTE)

PRELIMINARY DRAWING ONLY
DRAWING APPROVAL:

THIS DRAWING REFLECTS OUR INTERPRETATION OF THE INFORMATION PROVIDED BY THE DEALER ON THE ORDER FORM. THIS INFORMATION IS THE DEALER'S RESPONSIBILITY, AND IS THE BASIS FROM WHICH THIS LIFT IS DESIGNED AND MANUFACTURED. PLEASE INDICATE THE REQUESTED ACTION BY CHECKING ONE OF THE FOLLOWING BOXES AND SIGNING BELOW TO AUTHORIZE COMPLETION OF THIS ORDER.

- APPROVED WITH NO EXCEPTIONS
MANUFACTURE PRODUCT AS PER DRAWING
- APPROVED WITH EXCEPTIONS, NO REAPPROVAL
REQUIRED
MAKE CHANGES AS NOTED, NO REAPPROVAL DRAWING REQUIRED
- CHANGE AS NOTED, REAPPROVAL REQUIRED
MAKE CHANGES AS NOTED, SEND CORRECTED DRAWING FOR
REAPPROVAL BEFORE MANUFACTURE

SIGNATURE: _____ DATE: _____

- CHANGES REQUEST:
1. _____
 2. _____
 3. _____
 4. _____

CAUTION: ONCE THE DRAWING IS APPROVED, JOB CANCELLATION FEES WILL APPLY

OFFICE USE ONLY:	
CONFIGURATION VERSION STAMP:	1.5
MODULE VERSION STAMP:	E-S-73.11

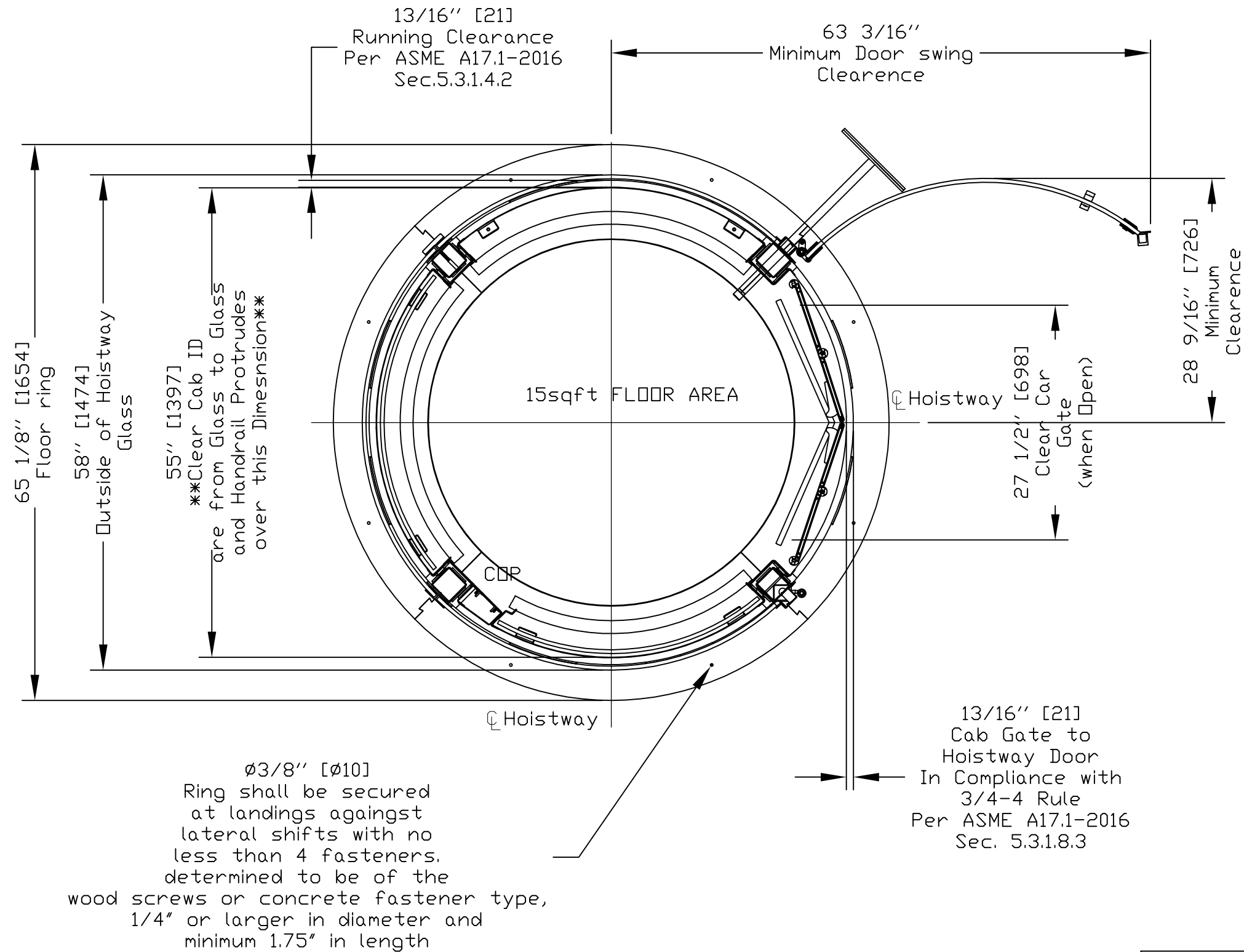
Part No.	VUE LIFT
Variant No.	30035876

PLAN VIEW

CUSTOMER:	CUSTOMER NAME	DATE:	09/24/2018
PROJECT:	PROJECT NAME	REVISION DATE:	12/21/2018
ADDRESS:	STREET NAME	COMPLETED BY:	ND
	CITY, PO BOX		A

JOB No. JOB NUMBER SHEET No. 1 OF 6

PIT/BOTTOM FLOOR



**Clear cab dimension are from acrylic to acrylic and handrail protrudes over this dimension

FLOOR VIEW

OFFICE USE ONLY:	
CONFIGURATION VERSION STAMP:	0.0
MODULE VERSION STAMP:	0.0

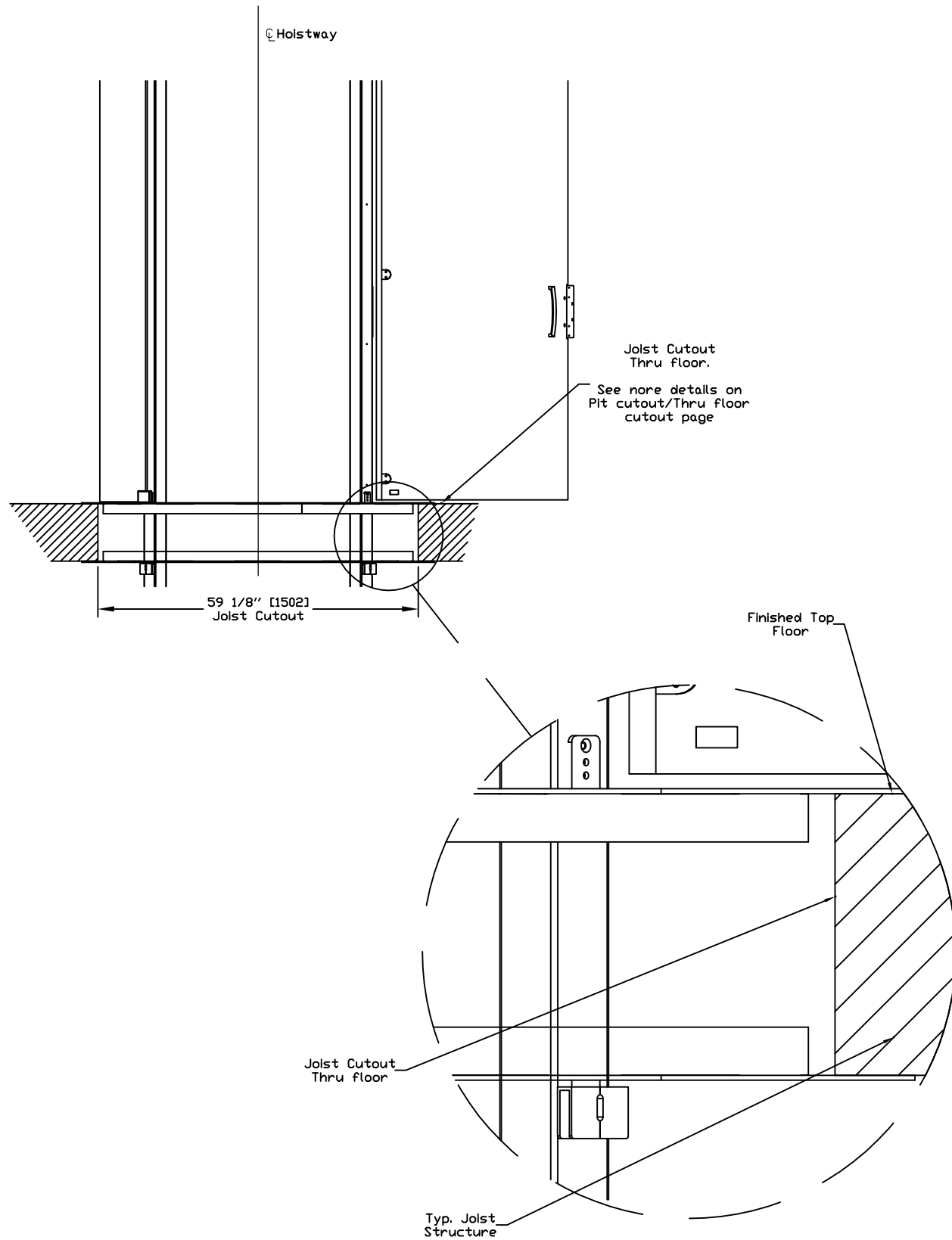
Part No. VUELIFT
Variant No. 30035876

CUSTOMER:	CUSTOMER NAME	DATE:	09/24/2018
PROJECT:	PROJECT NAME	REVISION DATE:	12/21/2018
ADDRESS:	STREET NAME	COMPLETED BY:	ND
	CITY, PO BOX		A



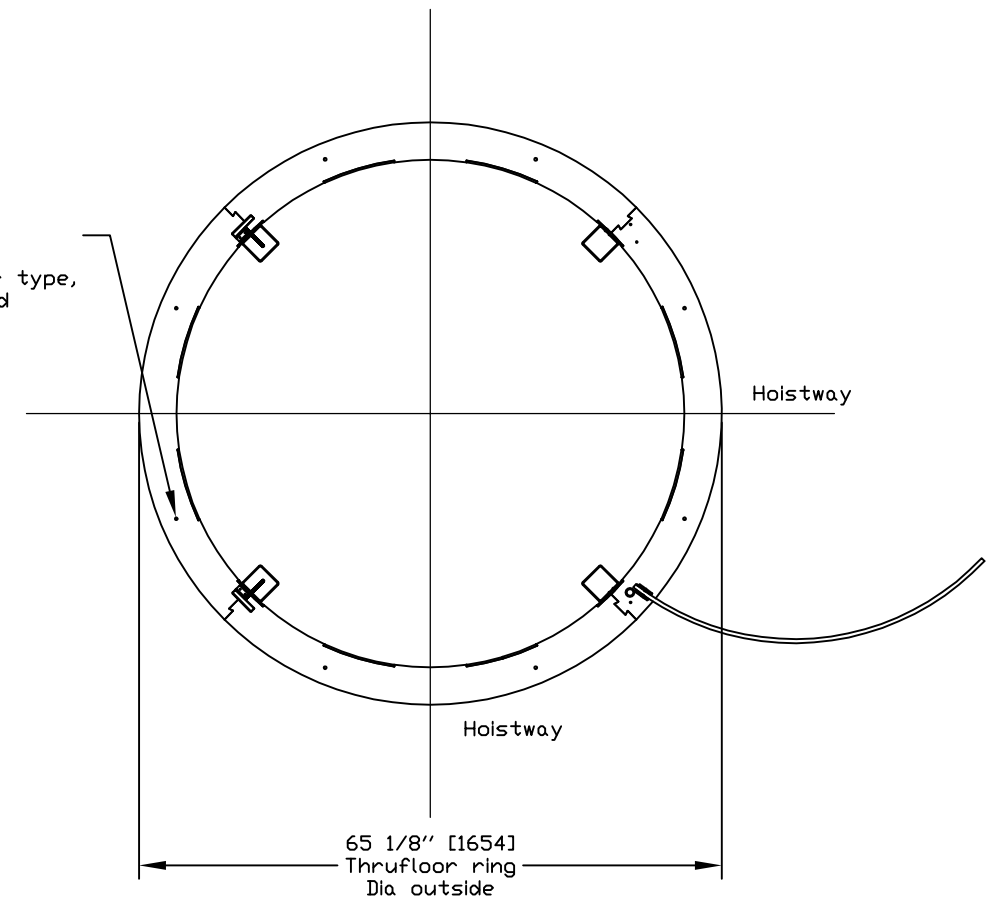
JOB No. JOB NUMBER SHEET No. 2 OF 6

THRU FLOOR CONFIGURATION



THRU FLOOR PLAN VIEW

Ø3/8" [Ø10]
 Ring shall be secured at landings against lateral shifts with no less than 4 fasteners, determined to be of the wood screws or concrete fastener type, 1/4" or larger in diameter and minimum 1.75' in length



THRU FLOOR DETAILS

OFFICE USE ONLY:	
CONFIGURATION VERSION STAMP:	0.0
MODULE VERSION STAMP:	0.0

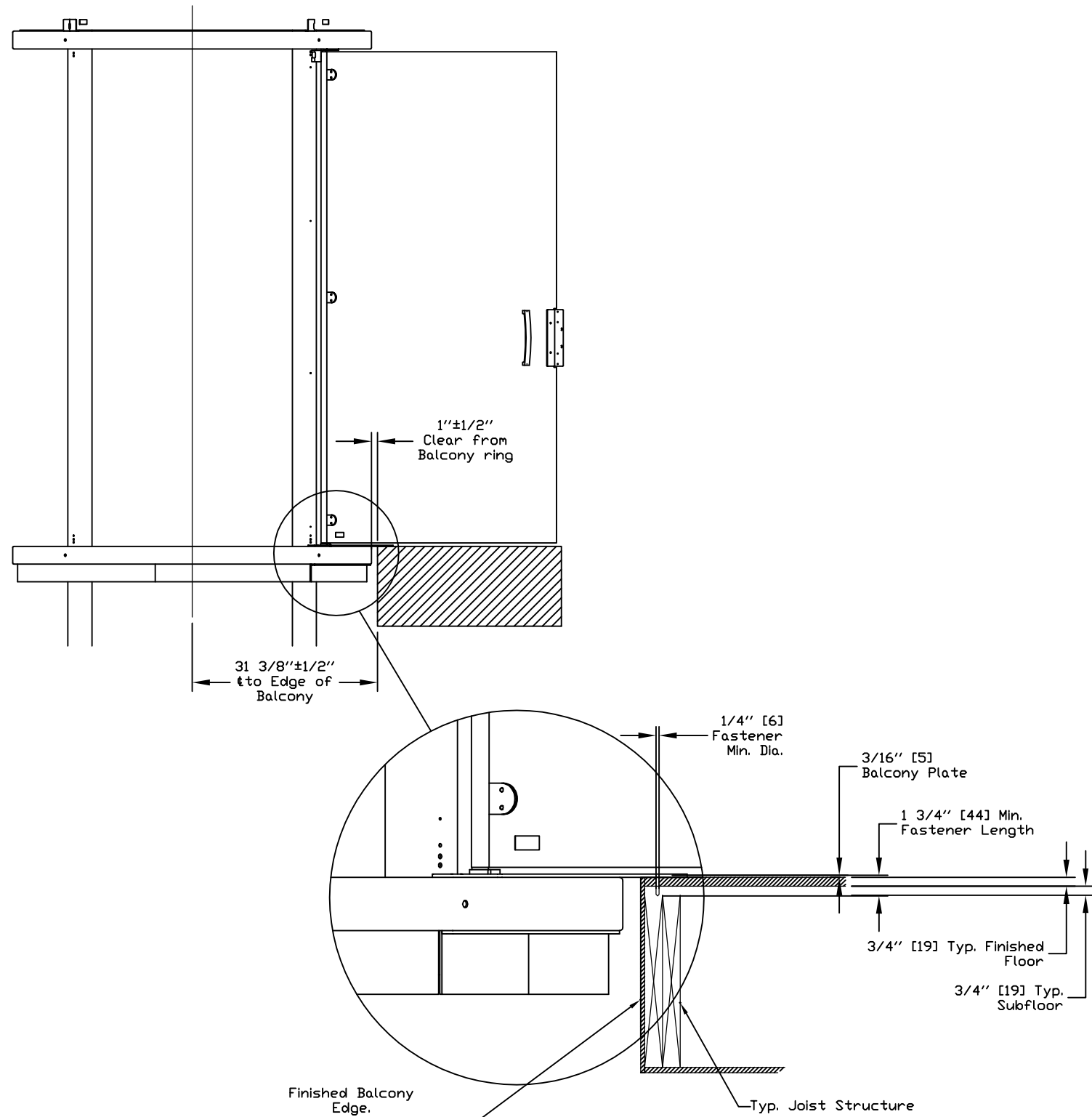
Part No.	VUELIFT
Variant No.	30035876

CUSTOMER:	CUSTOMER NAME	DATE:	09/24/2018
PROJECT:	PROJECT NAME	REVISION DATE:	12/21/2018
ADDRESS:	STREET NAME	COMPLETED BY:	ND
	CITY, PO BOX		A



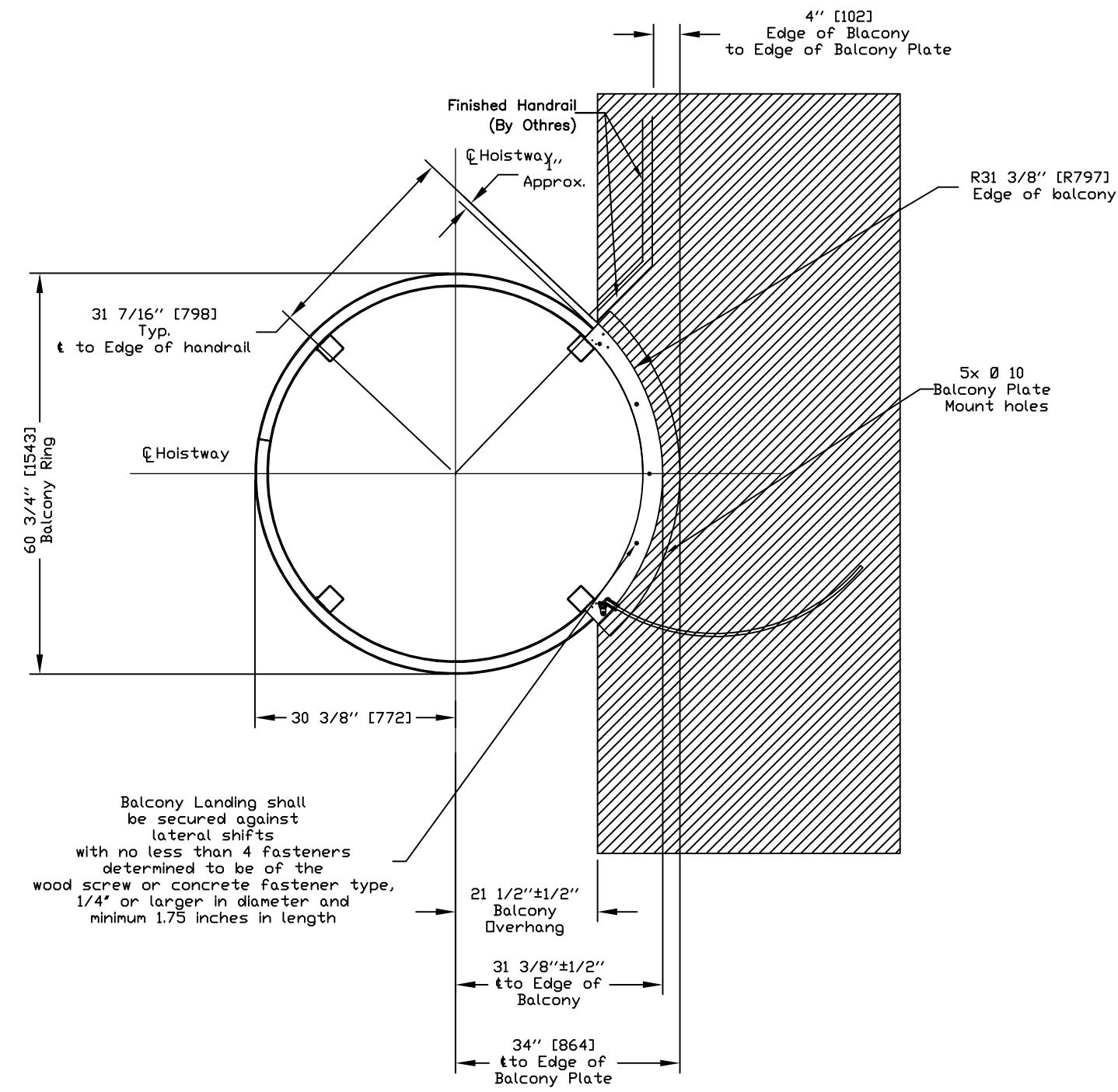
JOB No.	JOB NUMBER	SHEET No.	3 OF 6
---------	------------	-----------	--------

ELEVATION VIEW-BALCONY ATTACHMENT



Must be finished prior to elevator installation. (Finish by others).

TOP VIEW BALCONY DETAIL



OFFICE USE ONLY:	
CONFIGURATION VERSION STAMP:	0,0
MODULE VERSION STAMP:	0,0

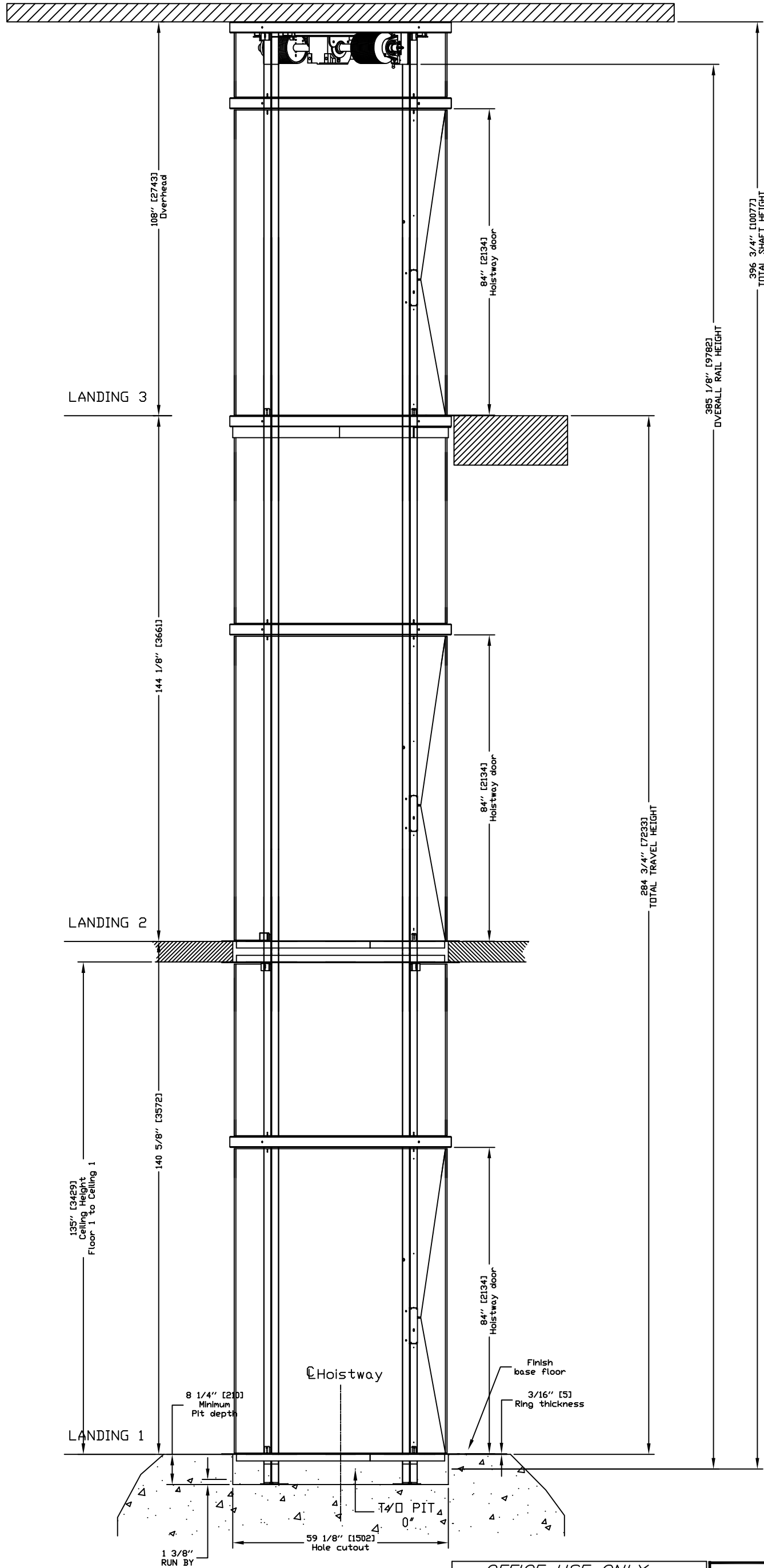
Part No.	VUELIFT
Variant No.	30035876

Elev : BALCONY DETAILS

CUSTOMER:	CUSTOMER NAME	DATE:	09/24/2018
PROJECT:	PROJECT NAME	REVISION DATE:	12/21/2018
ADDRESS:	STREET NAME	COMPLETED BY:	ND
	CITY, PO BOX		A



JOB No.	JOB NUMBER	SHEET No.	3 OF 6
---------	------------	-----------	--------



ELEVATION VIEW

OFFICE USE ONLY:	
CONFIGURATION VERSION STAMP:	1.5
MODULE VERSION STAMP:	E-S-7.3.11

Part No.	VUE LIFT
Variant No.	30035876

CUSTOMER:	CUSTOMER NAME	DATE:	09/24/2018
PROJECT:	PROJECT NAME	REVISION DATE:	12/21/2018
ADDRESS:	STREET NAME	COMPLETED BY:	ND
	CITY, PO BOX		



JOB No.	JOB NUMBER	SHEET No.	4 OF 6
---------	------------	-----------	--------

PROVISIONS BY OTHERS

*GENERAL

CONSTRUCTION SITE: OWNER/AGENT TO PROVIDE ALL MASONRY, CARPENTRY AND DRYWALL WORK AS REQUIRED. FLOORS SHALL BE IN FINISHED STATE PRIOR TO INSTALLATION OF UNIT.

DIMENSIONS: CONTRACTOR/CUSTOMER TO VERIFY ALL CLEARANCE DIMENSIONS PRIOR TO UNIT DELIVERY.

*STRUCTURAL

FLOOR LOADS: STRUCTURAL ENGINEER TO ASSURE THAT BUILDING WILL SAFELY SUPPORT ALL LOADS IMPOSED BY THE LIFT EQUIPMENT. REFER TO TABLES ON THIS DRAWING FOR PIT/FLOOR LOADS IMPOSED BY THE EQUIPMENT.

NOTE: PER ASME A17.1-2016 THE CLEARANCE BETWEEN THE HOISTWAY DOORS OR GATES AND THE HOISTWAY EDGE OF THE LANDING SILL SHALL NOT EXCEED 3IN. THE DISTANCE BETWEEN THE HOISTWAY FACE OF THE LANDING DOOR OR GATE AND THE CAR DOOR OR GAE SHALL NOT EXCEED 5IN.

*ELECTRICALL

POWER SUPPLY: (SEE SPECIFICATIONS BELOW) LOCKABLE FUSED DISCONNECTS INSTALLED IN COMPLIANCE WITH ELECTRICAL CODE TO BE PROVIDED PRIOR TO INSTALLATION. ROUGHED IN POWER TO LIFT UNIT MUST BE PROVIDED TO HEAD ASSEMBLY LOCATION PRIOR TO INSTALLATION.

PERMANENT POWER: BEFORE INSTALLATION CAN BEGIN, PERMANENT POWER MUST BE SUPPLIED.

*ENTRANCES

HANDRAILS: ALL BALCONY LEVELS REQUIRE HANDRAILS TO BE INSTALLED PER LOCAL CADES AFTER INSTALLATION IS COMPLETED. HANDRAIL AND INSTALLATION TO BE PROVIDED BY CONTRACTOR/CUSTOMER. VISILIFT,LLC AND/OR LOCAL INSTALLER ARE NOT RESPONSIBLE FOR HANDRAIL INSTALLATION OR MATERAILS.

POWER SUPPLY SPECIFICATIONS	DISCONNECT SIZE	TIME DELAY FUSE SIZE	VOLTS	PHASE	AMPERAGE
MOTOR & EQUIP.	30 AMPS	30 AMPS	230	SINGLE	20.2 AMPS
CAB LIGHTS	15 AMPS	15 AMPS	115	SINGLE	

IF A TELEPHONE CIRCUIT IS REQUIRED (OPTION FOR ELEVATOR) JACK IS PROVIDED AND INSTALLED BY OTHERS. THIS CIRCUIT SHALL BE BROUGHT TO A LOCATION NEXT TO THE CONTROLLER AND BE AVAILABLE TO CONNECT AND TEST UPON ELEVATOR INSTALLATION.

*SCOPE OF WORK

INSTALLATION OF A VUELIFT ELEVATOR BY A JOURNEY LEVEL LICENSED CONVEYANCE MECHANIC, AND MEETS OR EXCEEDS THE APPLICABLE REGULATIONS OF ALL GOVERNING AGENCIES AND IS IN CONFORMANCE WITH THE APPLICABLE SECTIONS OF THE MOST CURRENT EDITION OF THE FOLLOWING CODES AND STNADARDS.

ASME A17.1 SECTION 5.3 - SAFETY CODE FOR ELEVATORS AND ESCALATORS; PRIVATE RESIDENCE ELEVATORS.

NFPA 70-2008 THE NATIONAL ELECTRICAL CODE.

CSA B44.1/ASME A17.5 ELEVATOR AND ESCALATOR ELECTRICAL EQUIPMENT.

LOCAL CODES AND REGULATIONS, AS APPLICABLE.

AFTER INSTALLATION THE UNIT WILL BE INSPECTED BY AN INSPECTOR AS REQUIRED BY LOCAL LAWS.

GENERAL

CLASSIFICATION: Residential Building

APPLIED CODE: ASME 17.1-2016 SEC. 5.3

NEC 2008

WALLS: Full Clear Laminated Safety Glass-Complies with ANSI Z97.1

NUMBER OF FLOORS: 3

MODEL: Round Glass

CAPACITY: 950 lbs. [431] kg]

NOMINAL SPEED: 40 fpm. [0.20 m/s]

CAB FLOOR AREA: 15 Square Feet [1.4 sq.meters]

CAB INT HEIGHT: 84 Inches [2133 mm]

CAB WEIGHT: 1160 lbs. [526]kg]

TOTAL TRAVEL: 284 3/4 Inches [7233 mm]

PIT DEPTH (OPTION): 8.25 Inches [102-210mm]

POWER SUPPLY: 50/60Hz Single Phase 230V

SAFETIES: 2 Type A Instantaneous Safeties in compliance with

ASME A17.1 Sections 2.17.8.1 & 1.17.5.1

Mfg: Savaria P/N: VL581001-01

SUSPENSION:

TYPE: Galvanized Aircraft Cable 2x3/8" dia

CONSTRUCTION: IWRC 7 x 19 RHRL

NOMINAL STRENGTH: 14,400 lbs. [6531 kg]

WT. OF ROPES: 0.243 lbs/ft [3.616 g/cm]

TRAVEL CABLE WT: 0.228 lbs/ft [3.393 g/cm]

DRIVETRAIN:

TYPE: Winding Drum

MOTOR: 3.0 HP with Integrated Brake

TRANSMISSION: Ultra-LowVibration 3-Stage Right Angle Helical-Bevel Drive

MOTOR CONTROL: Pre-Programmed Variable Freq. Drive

DOOR INTERLOCKS: Honeywell RDI-G-L5B certified in compliance with

ASME A17.1 Sections 2.12.4.3

PIT/FLOOR LOAD: (ft of Hoistway*107 + (# of Floors*276) + 3020 Dead Load (lbs)

PIT FLOOR TO SUPPORT LOAD OF: 3500 kg
[7500 lbs]
IMPACT LOAD: 3565 kg
[7845 lbs]

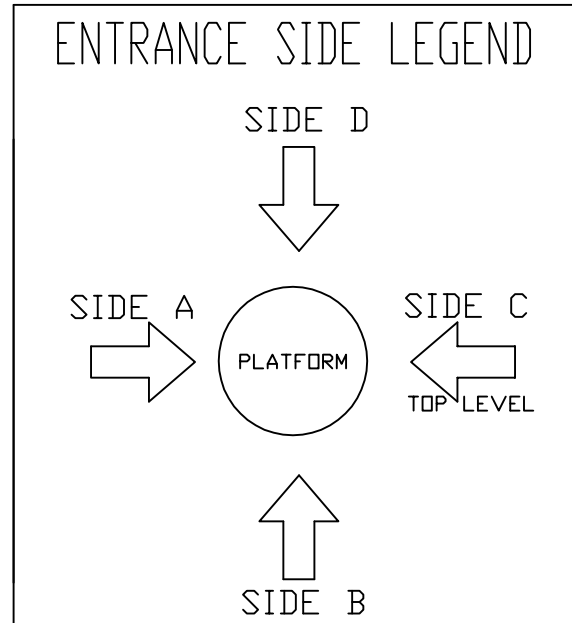
LANDING CHART

	LANDING 1	LANDING 2	LANDING 3	LANDING 4	LANDING 5	LANDING 6
DOOR TYPE	SWING DOOR	SWING DOOR	SWING DOOR	NA	NA	NA
ENTRANCE SIDE	C	C	C	NA	NA	NA
DOOR SWING	LEFT HAND SWING	LEFT HAND SWING	LEFT HAND SWING	NA	NA	NA
LOCK TYPE	HONEYWELL	HONEYWELL	HONEYWELL	NA	NA	NA
HALL CALL KEY SWITCH	NO	NO	NO	NA	NA	NA
FLOOR MARKING	1	2	3	NA	NA	NA
LANDING CONFIGURATION	PIT	THRU-FLOOR	BALCONY	NA	NA	NA

OPTIONS:

BUFFER SPRING: No

COLOR: Texture Black (std) PX622N365



DATA SHEET

CUSTOMER:	CUSTOMER NAME	DATE:	09/24/2018
PROJECT:	PROJECT NAME	REVISION DATE:	12/21/2018
ADDRESS:	STREET NAME	COMPLETED BY:	ND
	CITY, PO BOX		A

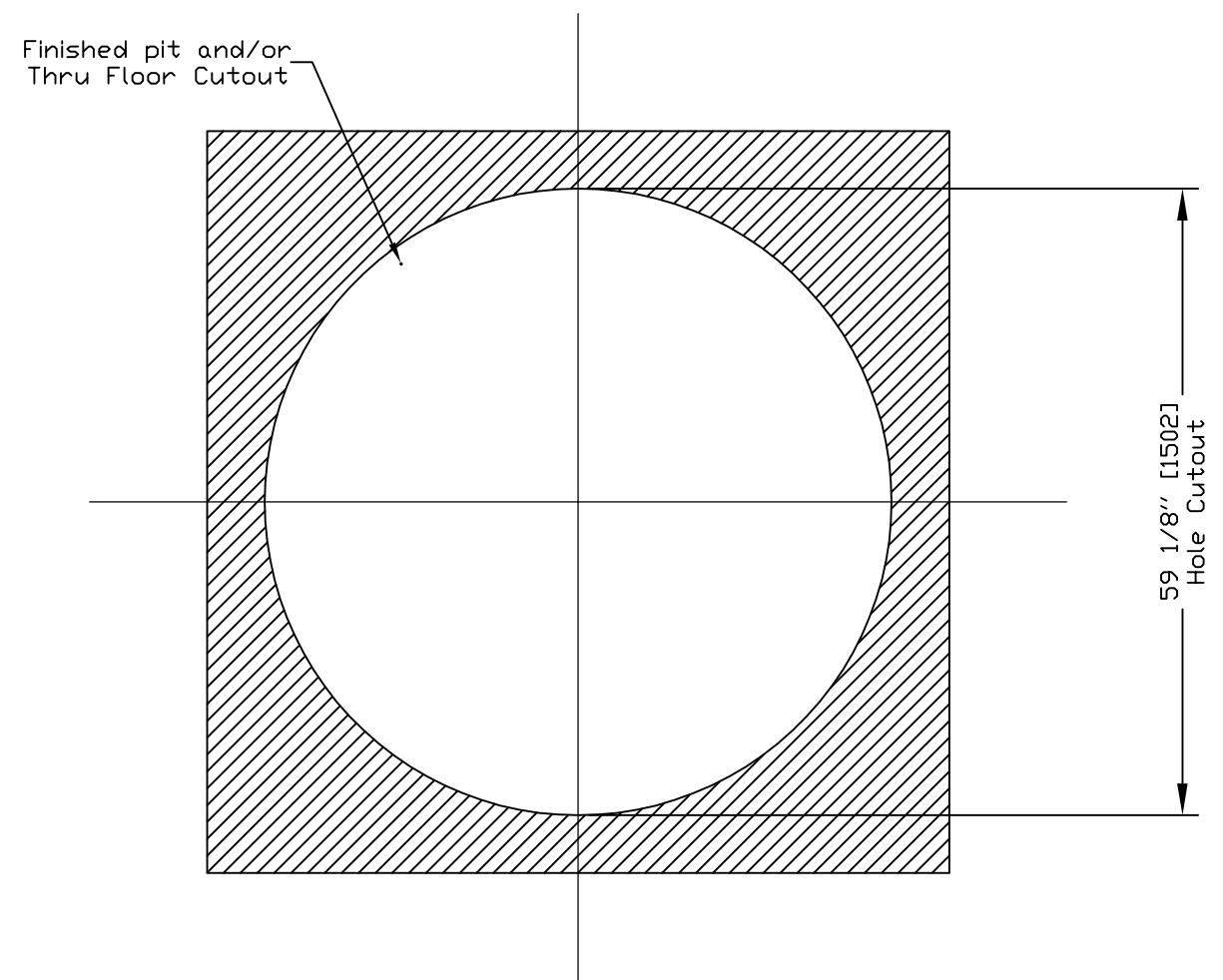
OFFICE USE ONLY:	
CONFIGURATION VERSION STAMP:	1.5
MODULE VERSION STAMP:	E-S-73.11

Part No. VUELIFT
Variant No. 30035876

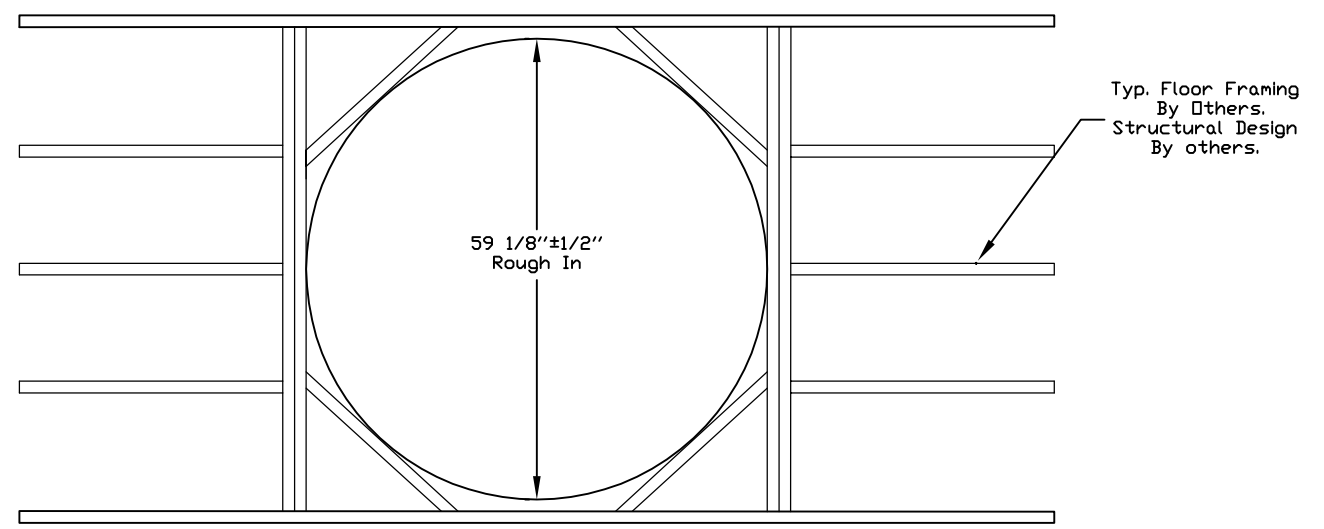
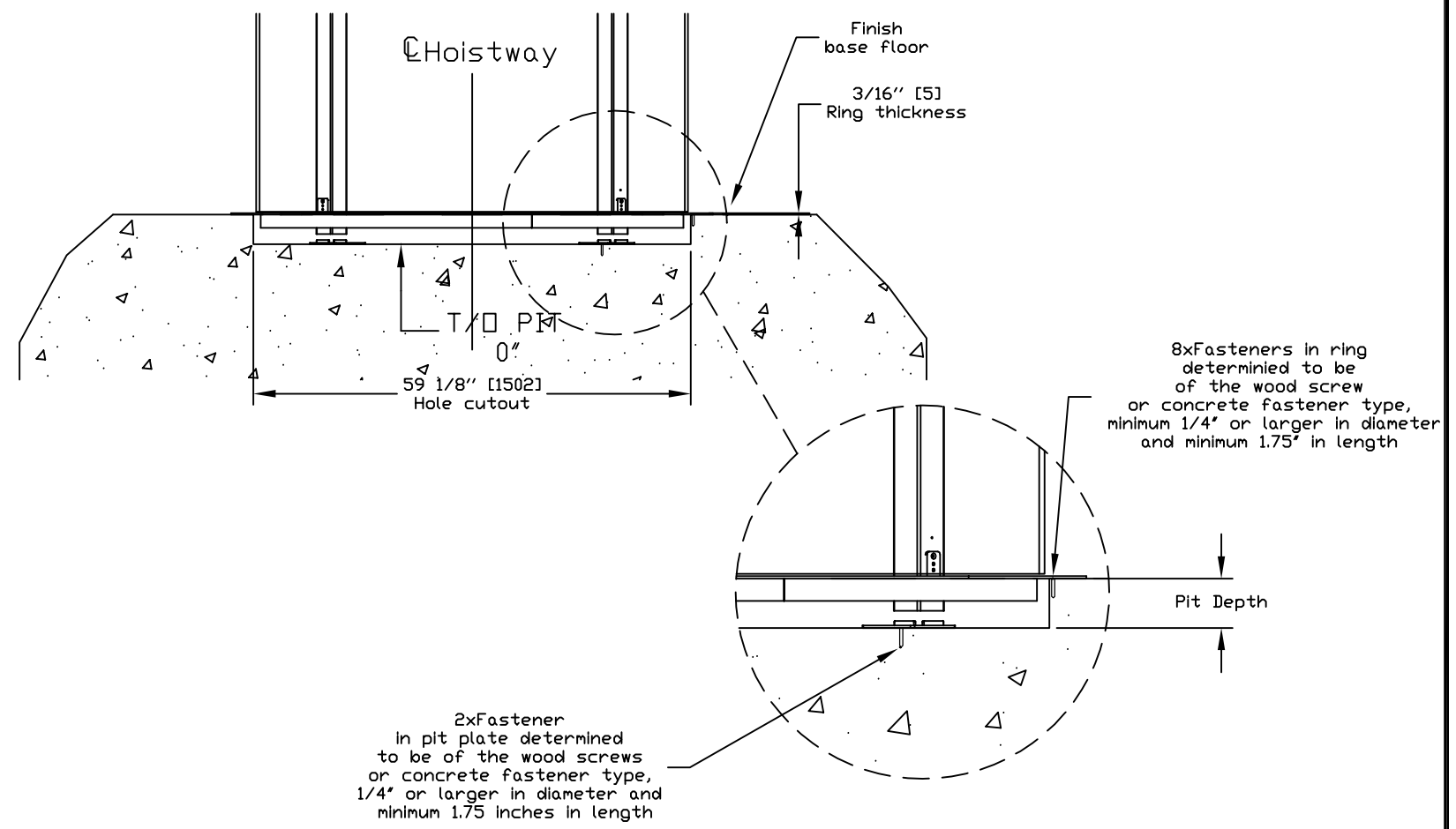
savaria™

JOB No. JOB NUMBER SHEET No. 5 OF 6

PLAN VIEW PIT CUTOUT/THRU FLOOR CUTOUT



PIT CUTOUT DETAIL



NOTE:
PIT OPTION ROUGH IN AND FINISHED DIMS. ARE IDENTICAL TO THRU-FLOOR ROUGH IN AND FINISHED DIMS.

CLEARANCE FROM ADJACENT WALLS TO EDGE OF HOLE/PIT MUST BE MINIMUM 18" ON ALL SIDES.

PIT CUTOUT AND THRU FLOOR CUTOUT

OFFICE USE ONLY:	
CONFIGURATION VERSION STAMP:	0.0
MODULE VERSION STAMP:	0.0

Part No.	VUELIFT
Variant No.	30035876

CUSTOMER:	CUSTOMER NAME	DATE:	09/24/2018
PROJECT:	PROJECT NAME	REVISION DATE:	12/21/2018
ADDRESS:	STREET NAME	COMPLETED BY:	END
	CITY, PO BOX		A

savaria™

JOB No. JOB NUMBER SHEET No. 6 OF 6