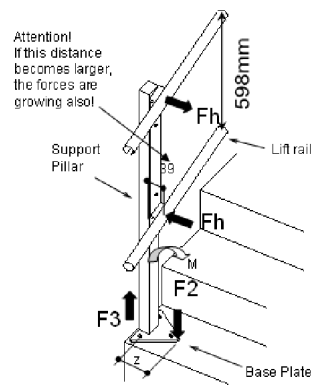


SUPPORT LOAD DIAGRAM-

POST MOUNTED

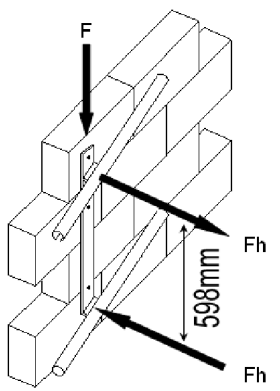


PILLAR FORCES	Z	F2	F3
BASE PLATE	150mm	16875 N	11098 N

POST MOUNTED WOODEN TREAD:
EACH POST MUST BE FIXED BY THROUGH BOLTS AT EVERY HOLES AND REINFORCED PLATE LOCATED UNDER THE TREAD.

REINFORCED CONCRETE:
SLEEVE ANCHORS 1/2-3.0" (EVERY HOLES) MAX.
TORQUE: 28 Ft-Lbs. MIN.
EMBEDMENT DEPTH: 2-1/4" 3000 psi CONCRETE FLOOR MIN. REQ'D

WALL MOUNTED



F = 5777 N (1300 lb _f)
Fh = 4218.8 N (948.43 lb _f)

WALL MOUNTED WOODEN LOAD
LAG BOLT HEX 1/2 X 5" MIN. EMBEDMENT DEPTH: 3" INTO THE WOOD PREDRILL WOOD 1/8" - MINIMUM OF 2 EVERY 16" THROUGH TOP METAL RAIL

REINFORCED CONCRETE
SLEEVE ANCHORS 1/2-3.0" @ 20" C/C MAX. TORQUE: 28 Ft-Lbs. MIN. EMBEDMENT DEPTH: 1-5/8" 3000 psi CONCRETE WALL MIN. REQ'D MINIMUM OF 1 EVERY 20" THROUGH TOP METAL RAIL

SPECIFICATIONS

GENERAL

CLASSIFICATION:	UNENCLOSED STAIRPLATFORM LIFT	CSA B355 09
APPLIED CODE:	ASME A18.1: Sec. 6 (Priv.) / Section 3 (Pub.)	
MODEL:	DELTA	
CAPACITY:	550 Lbs (250 kg) ONE PERSON IN WHEELCHAIR	
SPEED:	20 ft/min [0.1 m/s]	
PLATFORM SIZE:	720x900 (28.35'x35.43') - 775x1250 (30.5'x49.2')	
POWER SUPPLY:	110V,15A,60Hz,SINGLE PHASE	

MOTOR:	24 VDC, 0.67 Hp
DRIVE SYSTEM:	RACK AND PINION
CONTROLLER	
MODEL:	DELTA
TYPE:	CPFS
ETL #:	94307

PROJECT INFORMATIONS

ACCESS TO PLATFORM:	IN LINE / SIDE ACCESS
SIDE OF INSTALLATION:	LEFT / RIGHT
ANGLE OF STAIRCASE:	X°
WIDTH OF STAIRCASE:	X"
LENGTH OF STAIRWAY:	X"
NUMBER OF RAIL:	1
NUMBER OF RISERS:	X
AVERAGE RISER:	X"
AVERAGE TREAD:	X"
LOCATION:	INDOOR / OUTDOOR
ANCHORING WALL:	WOOD/CONCRETE/N/A
ANCHORING POST:	WOOD/CONCRETE/N/A
TYPE OF INSTALLATION:	RESIDENTIAL / PUBLIC

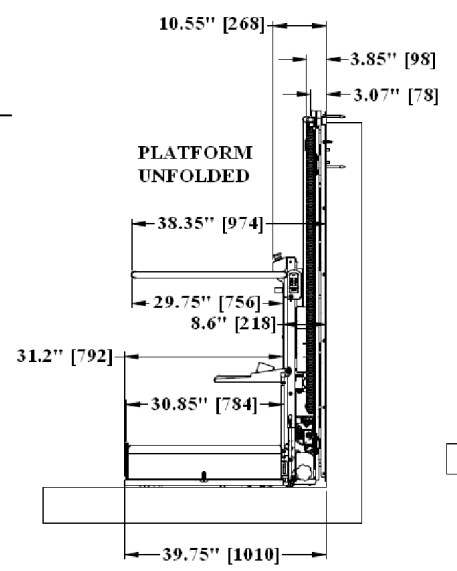
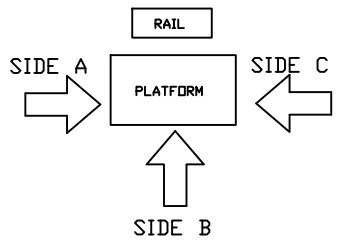
OPTIONS AVAILABLE:

ADDITIONAL BATTERY PACK:	
SELF SUPPORT STAIR POST:	
POST FOR CALL STATION:	
ARM & MOTORIZED FOLDING PF:	
FOLDING SEAT W/BELT:	
INTERNATIONAL PACKAGE:	
COLOR:	RAL 7035, LIGHTEST GREY

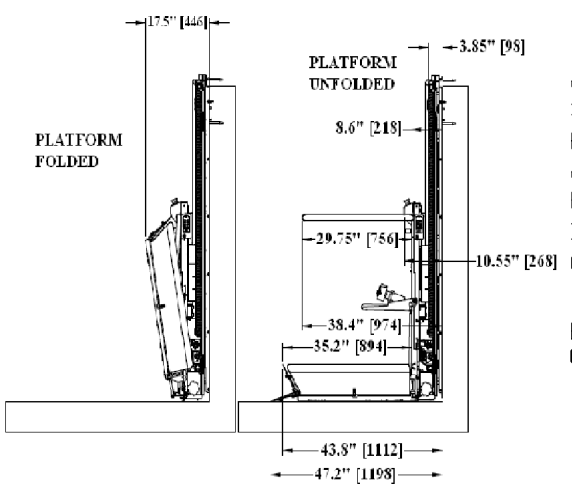
ENTRANCE SIDE CALL STN. MOUNTING

LANDING 1	LANDING 2
C	A
Surface Mount	Surface Mount

ENTRANCE LOCATIONS



INLINE ACCESS PLATFORM 775 X 1250



90° ACCESS PLATFORM 775 X 1250

NOTE:
1. POST ADD 2.5" [63.5 mm]

DATA SHEET

CUSTOMER:	DATE: 09/13/2011
PROJECT:	REVISION DATE:
ADDRESS:	COMPLETED BY: BISRAM

Part No.	DELTA
Variant No.	N/A
savaria	
JOB No.	SHEET No. 1 OF 1