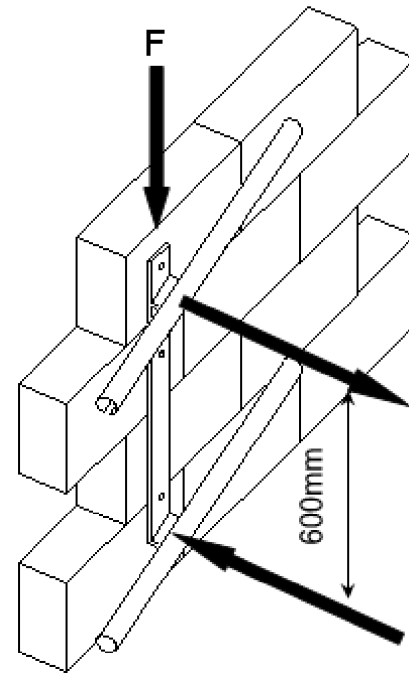


SUPPORT LOAD DIAGRAM

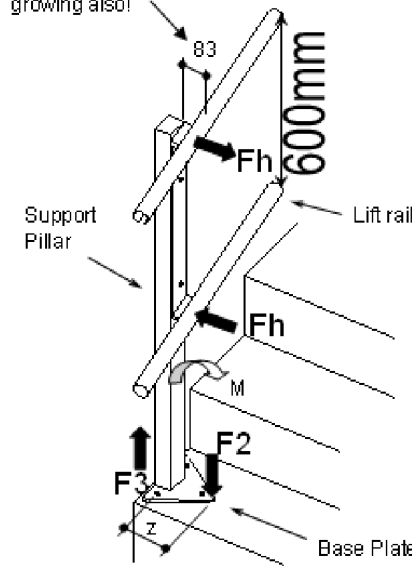
WALL BRACKET:



F = 3700 N (831.8 lb_F)
F_h = 2768.4 (622.37 lb_F)

SELF SUPPORT POST:

Attention!
If this distance
becomes larger,
the forces are
growing also!



PILLAR FORCES	Z	F2	F3
BASE PLATE	150mm	13120N	9420N

SPECIFICATIONS

GENERAL

CLASSIFICATION: UNENCLOSED STAIRPLATFORM LIFT
 APPLIED CODE: ASME A18.1: Sec.6 (Priv.)/Sec.3 (Pub.) CSA B355 09
 MODEL: OMEGA
 CAPACITY: 550 lbs [250 kg] ONE PERSON IN WHEELCHAIR
 SPEED: 13.78 ft/min [0.07 m/s]
 PLATFORM SIZE: 30.5"x49.25" [775x1250], 28.35"x35.43" [720x900]
 POWER SUPPLY: 240V,15A,60Hz,SINGLE PHASE
 MOTOR: OMEGA: 1HP-3HP [0.75-2.25 Kw], 110 VAC 60 Hz
 DRIVE SYSTEM: ROPE SPROCKET

CONTROLLER

MODEL: OMEGA
 TYPE: CPFS
 ETL #: 94307

PROJECT INFORMATIONS

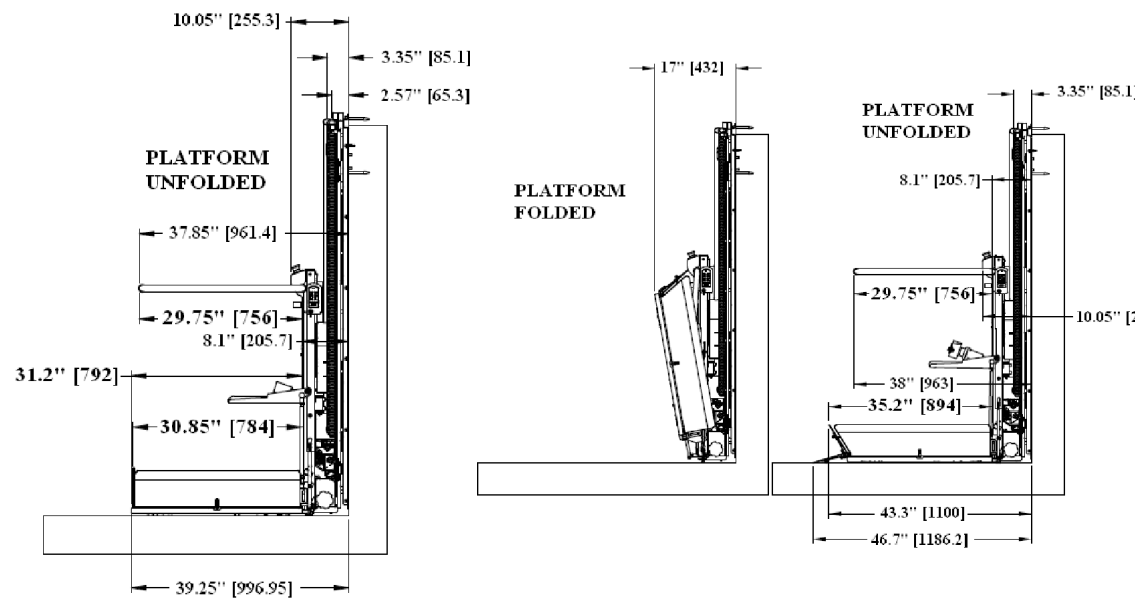
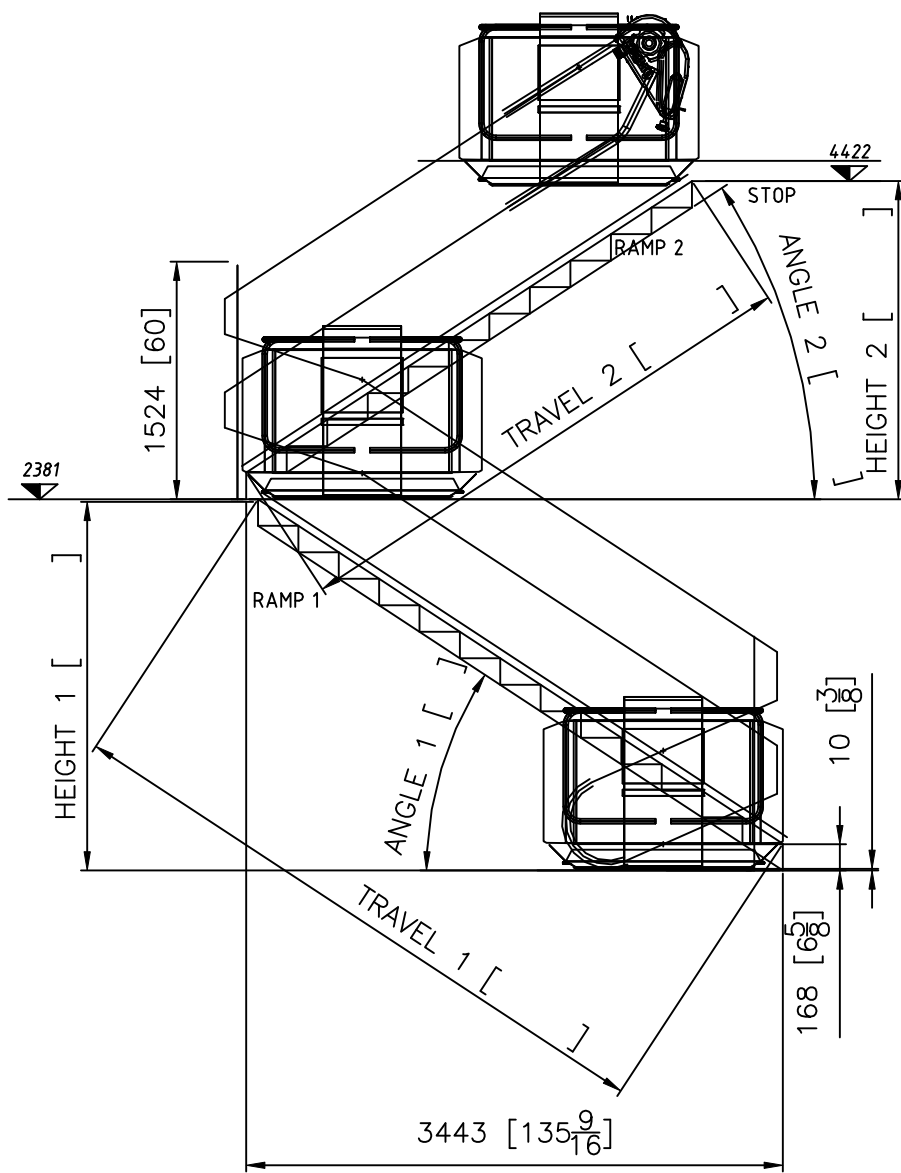
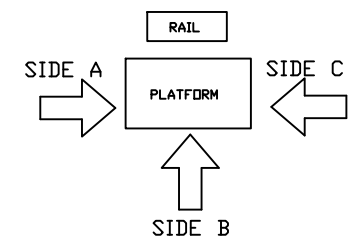
ACCESS TO PLATFORM: IN LINE / SIDE ACCESS
 SIDE OF INSTALLATION: LEFT/ RIGHT
 NUMBER OF RAMPS: N
 ANGLE OF STAIRCASE: A °
 WIDTH OF STAIRCASE: xx mm [yy "]
 NOSE TO NOSE: xx mm [yy "]
 RAIL LENGTH: TBD
 RAIL WEIGHT: TBD
 NUMBER OF RISERS: 19 Kg/m
 AVERAGE RISER: xx mm [yy"]
 AVERAGE TREAD: xx mm [yy"]
 LOCATION: INDOOR / OUTDOOR
 TYPE OF INSTALLATION: PUBLIC
 COLOR: RAL 7035, LIGHTEST GREY

OPTIONS AVAILABLE:

WALL BRACKET SUPPORT:
 SELF SUPPORT STAIR POST:
 INTERMEDIATE STOPS:
 90 DEGREE BEND:
 180 DEGREE BEND:
 HORIZONTAL BEND:
 STABILIZER (<20° BEND):
 FOLDING SEAT W/BELT:
 AUDIO/VISUAL ALARM:
 MOTORIZED SAFETY ARMS:
 FOLDING PLATFORM:
 OUTDOOR PACKAGE:
 INTERNATIONAL PACKAGING:
 FIRST INSTALLATION TOOLS:
 ENTRANCE SIDE / CALL STN. MOUNTING

LANDING 1	LANDING 2
C	A
Surface Mount	Surface Mount

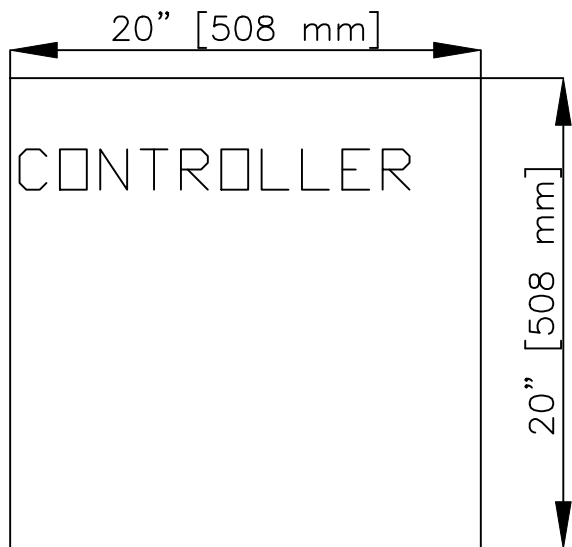
ENTRANCE LOCATIONS



90 DEGREE ACCESS PLATFORM
775 X 1250

INLINE ACCESS PLATFORM
775 X 1250

- NOTE:
 1. POST ADD 2.5" [63.5 mm]
 2. FOR 90° TURNS, ADD 7" [178 mm]



LOCATION TBD BY INSTALLER

GENERAL ARRANGEMENT

CUSTOMER:	DATE: 09/09/2011
PROJECT:	REVISION DATE:
ADDRESS:	COMPLETED BY: BISRAM

Part No.	OMEGA
Variant No.	N/A
savaria	
JOB No.	SHEET No. 1 OF 1