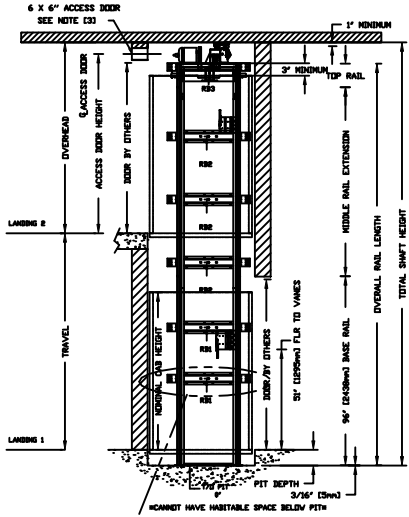
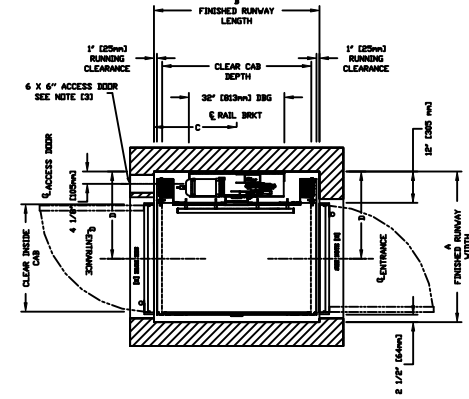
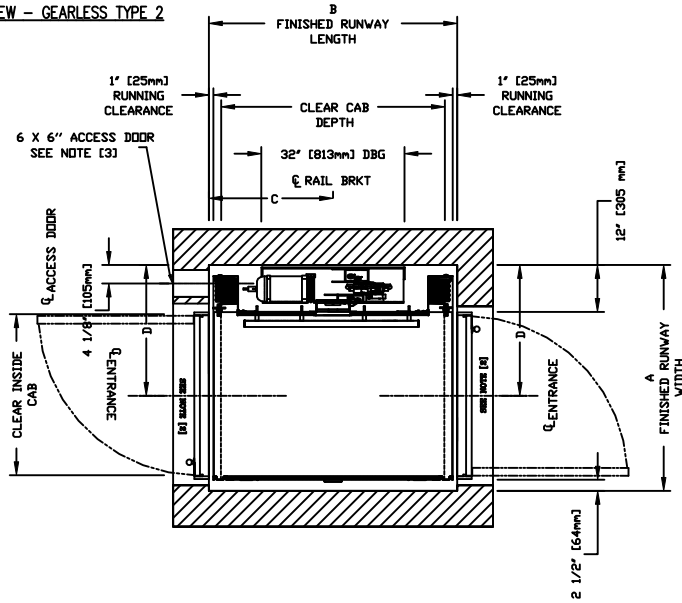


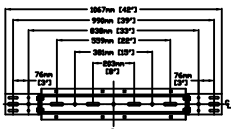
SECTIONAL VIEW - GEARLESS TYPE 2



PLAN VIEW - GEARLESS TYPE 2

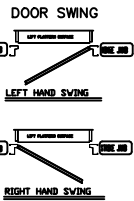
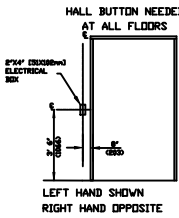


**2 MOUNTING POSITIONS
CENTER OR SIDE**

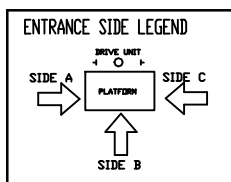
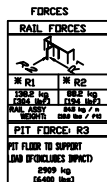


FINAL RAIL BRACKET RB3	BELOW THE MOTOR CONSULT YOUR CONCORD REPRESENTATIVE FOR EXACT LOCATION
INTERMEDIATE RAIL BRACKET RB2	32" [813mm] INTERVALS AFTER 2nd BOTTOM BRACKET
BOTTOM RAIL BRACKET RB1	44" [1118mm] & 71" [1804mm] ABOVE PIT FLOOR

4 WALL ANCHOR POINTS PER BRACKET
2 PER SIDE OF RAIL BRACKET CENTER LINE
PULL SET FORCE PER FASTENER 65 lb [288 N]



CLEAR INSIDE CAB WIDTH		CLEAR INSIDE CAB LENGTH		A FINISHED RUNWAY WIDTH		B FINISHED RUNWAY LENGTH		C RAIL CENTER LINE		D DOOR CENTER LINE	
mm	Inches	mm	Inches	mm	Inches	mm	Inches	mm	Inches	mm	Inches
914	36	1219	48	1346	53	1359	53 1/2	679	26 3/4	781	30 3/4
914	36	1372	54	1346	53	1511	59 1/2	756	29 3/4	781	30 3/4
914	36	1524	60	1346	53	1664	65 1/2	832	32 3/4	781	30 3/4
1016	40	1372	54	1448	57	1511	59 1/2	756	29 3/4	883	34 3/4



**RESIDENTIAL ELEVATOR
GEARLESS TYPE 2**

CUSTOMER: _____ DATE: _____
 PROJECT: _____ DRAWN BY: _____
 LOCATION: _____ CHECKED BY: _____

1/1

DOCUMENT REVISION 000, DATE: 02/22/12