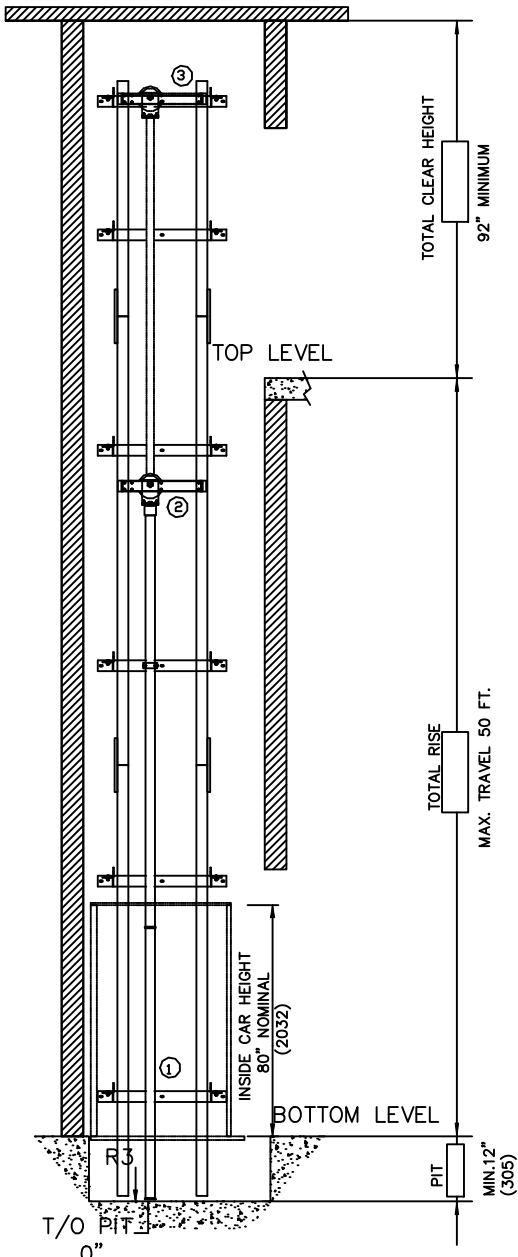
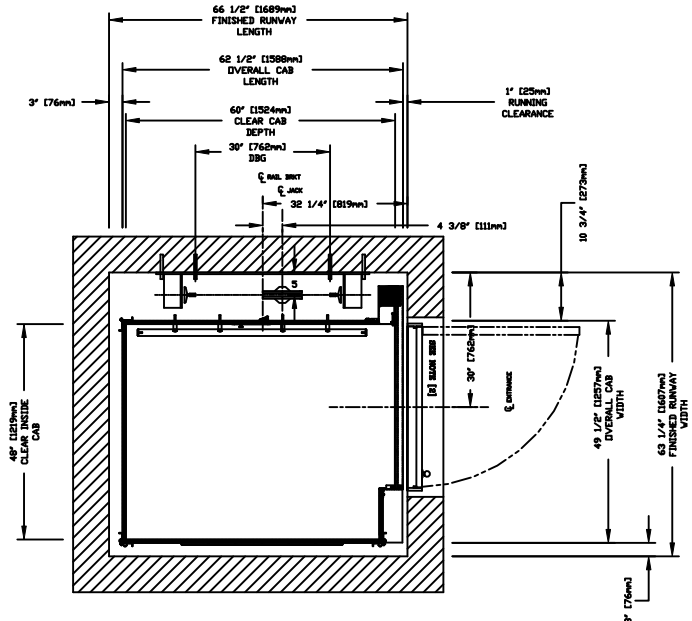


SECTIONAL VIEW - INFINITY HD Model 4860



PLAN VIEW - INFINITY HD Model 4860 TYPE 1R

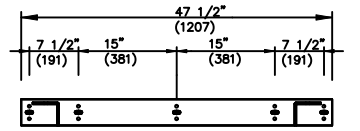
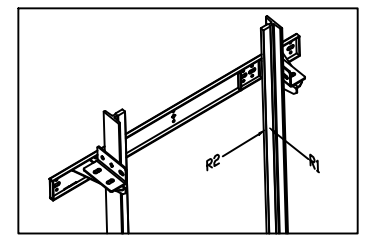
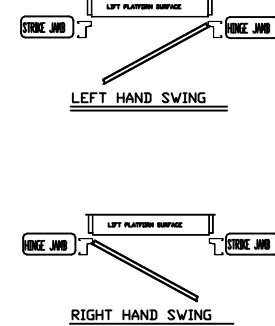


TOP RAIL BRACKET ③	AT TOP OF HOISTWAY CONSULT YOUR CONCORD REPRESENTATIVE FOR EXACT LOCATION
INTERMEDIATE RAIL BRACKET ②	48" INTERVALS ABOVE BOTTOM BRACKET
BOTTOM RAIL BRACKET ①	24" ABOVE PIT FLOOR

FLOOR No.	FLOOR HEIGHT
REAR	FRONT
TOTAL RISE	

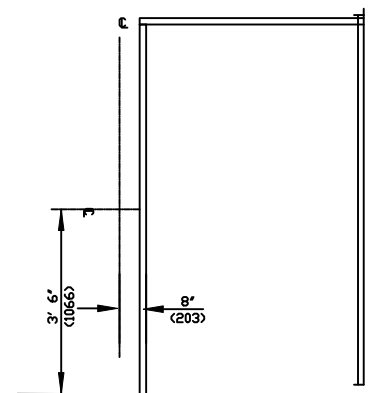
MAX. SPEED (ft/min)	MIN. PIT	TOTAL TRAVEL	MINIMUM OVERHEAD
30	12" ***		92"(2337)

*** NOTE: Additional pit equipment required when over 36" deep, consult your local dealer for details

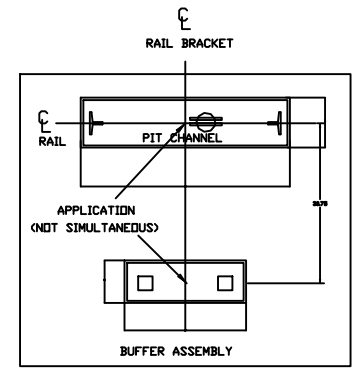


RAIL BRACKET

RAIL FORCES		R3 NOTE:	
* R1 422lb.f. RAIL WEIGHT : 8.0 lbs / ft	* R2 251lb.f.	PIT FLOOR TO SUPPORT LOAD OF: 8.22Kips * (INCLUDES IMPACT)	
FOR TOTAL PULL-OUT FORCE ON RAIL BRACKET, R1 MUST BE DOUBLED eg. 844LB.F.		FOR LOCAL APPLICATION OF PIT LOAD, SEE PIT CHANNEL/BUFFER SKETCH.	



HALL FIXTURE LOCATION
LEFT HAND AS SHOWN
RIGHT HAND OPPOSITE
1. HALL BUTTON AT ALL FLOORS



RESIDENTIAL WHEELCHAIR LIFT
INFINITY HD MODEL 4860

DOCUMENT REVISION #0, DATE: 04/26/10

CUSTOMER:	DATE:		
PROJECT:	REVISION DATE:		
LOCATION:	COMPLETED BY:		
JOB No.		SHEET No.	