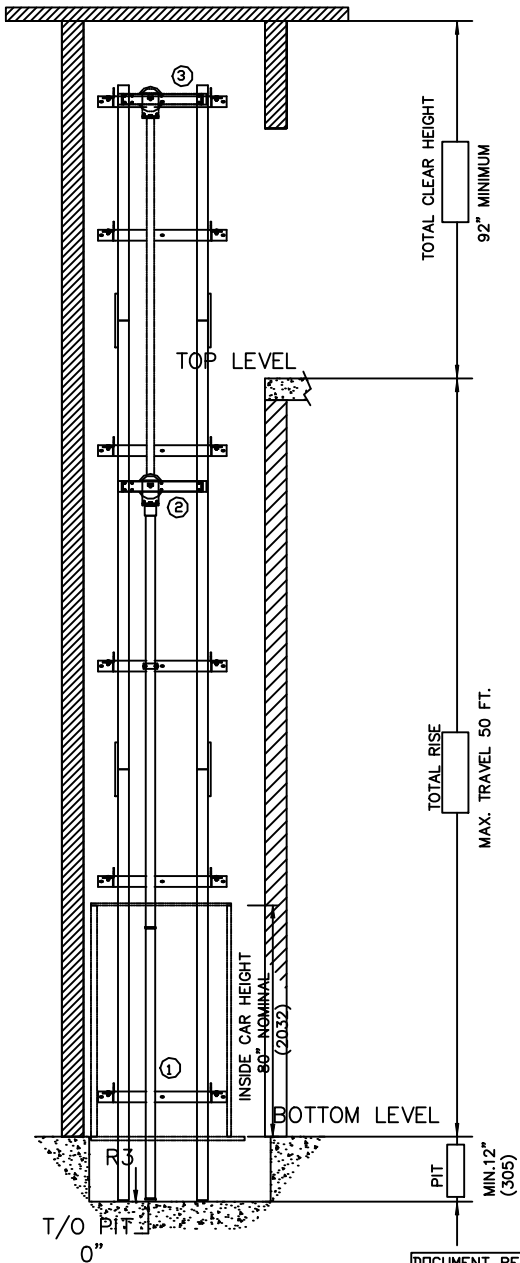
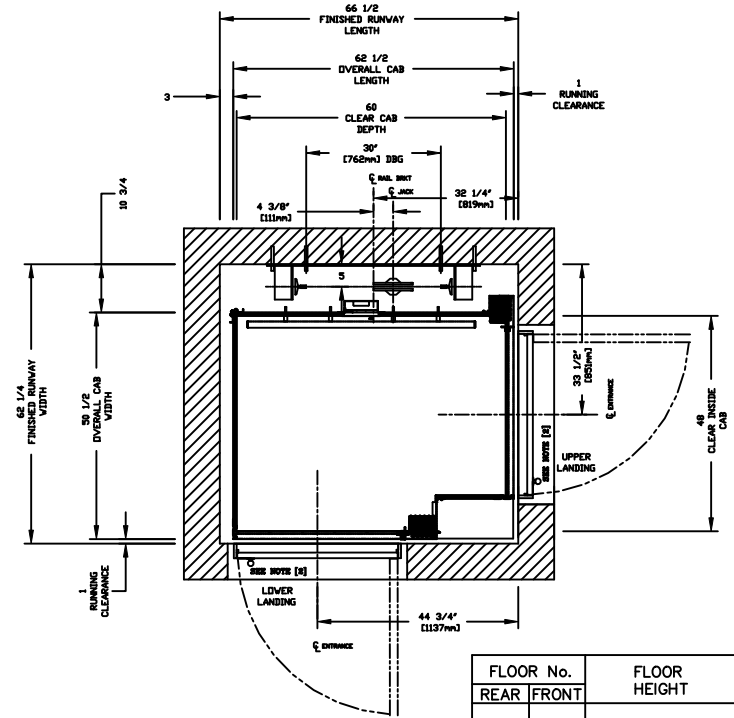


SECTIONAL VIEW – INFINITY HD Model 4860



PLAN VIEW – INFINITY HD Model 4860 TYPE 3



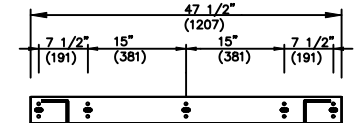
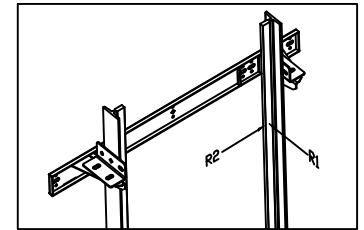
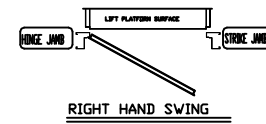
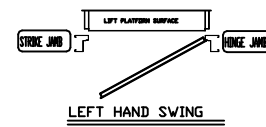
| | |
|-----------------------------|---|
| TOP RAIL BRACKET ③ | AT TOP OF HOISTWAY CONSULT YOUR CONCORD REPRESENTATIVE FOR EXACT LOCATION |
| INTERMEDIATE RAIL BRACKET ② | 48" INTERVALS ABOVE BOTTOM BRACKET |
| BOTTOM RAIL BRACKET ① | 24" ABOVE PIT FLOOR |

| FLOOR No. | | FLOOR HEIGHT |
|------------|-------|--------------|
| REAR | FRONT | |
| | | |
| | | |
| | | |
| TOTAL RISE | | |

PIT / OVERHEAD REQUIREMENTS

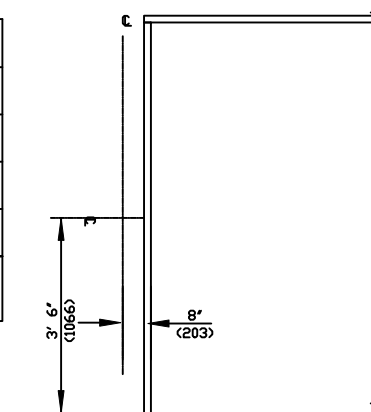
| MAX. SPEED (ft/min) | MIN. PIT | TOTAL TRAVEL | MINIMUM OVERHEAD |
|---------------------|----------|--------------|------------------|
| 30 | 12" *** | | 92"(2337) |

*** NOTE: Additional pit equipment required when over 36" deep, consult your local dealer for details

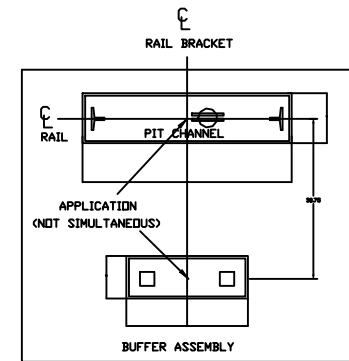


RAIL BRACKET

| RAIL FORCES | | R3 NOTE: |
|---------------------------|-----------------|--|
| * R1 422lbf. | * R2 251lbf. | PIT FLOOR TO SUPPORT LOAD OF: 8.22kips * (INCLUDES IMPACT) FOR TOTAL PULL-OUT FORCE ON RAIL BRACKET, R1 MUST BE DOUBLED sp. 844LBF. FOR LOCAL APPLICATION OF PIT LOAD, SEE PIT CHANNEL/BUFFER SKETCH. |
| RAIL WEIGHT: 8.0 lbs / ft | | |



HALL FIXTURE LOCATION
LEFT HAND AS SHOWN
RIGHT HAND OPPOSITE
1. HALL BUTTON AT ALL FLOORS



RESIDENTIAL WHEELCHAIR LIFT
INFINITY HD MODEL 4860

| | | | |
|-----------|----------------|----------|-----------|
| CUSTOMER: | DATE: | savaria™ | SHEET No. |
| PROJECT: | REVISION DATE: | | |
| LOCATION: | COMPLETED BY: | JOB No. | |

DOCUMENT REVISION #0, DATE: 04/26/10