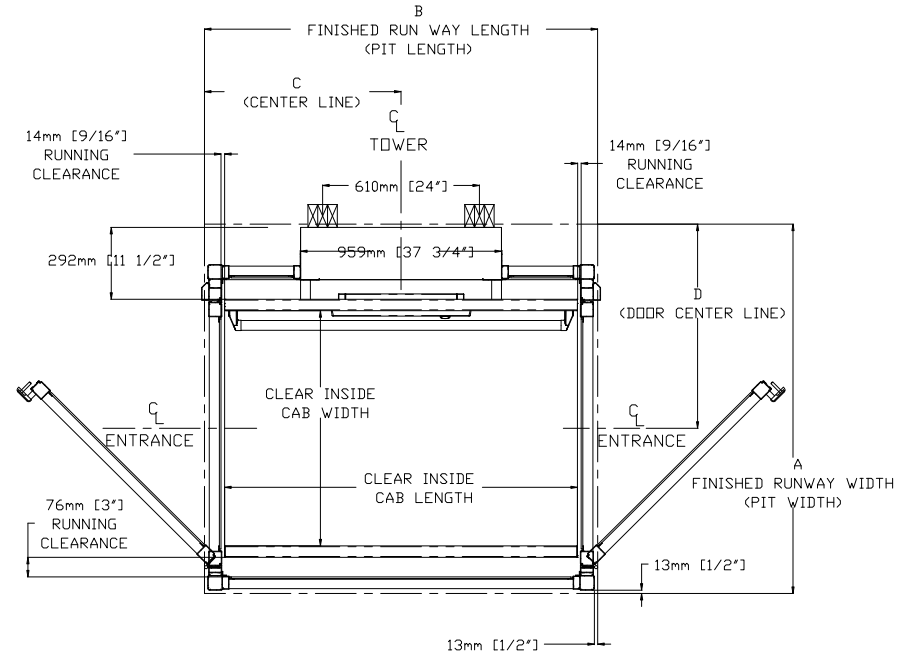
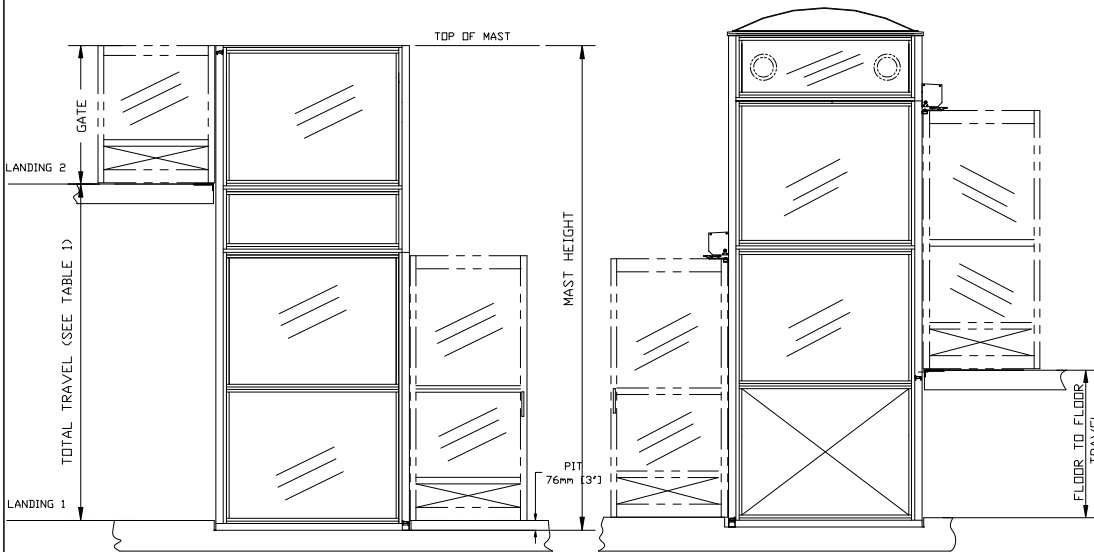


ELEVATION VIEW TYPE-2

MULTILIFT

TOP VIEW TYPE-2



TYPICAL ENCLOSURE

TYPICAL ENCLOSURE WITH EXTENSION & CLEAR PLEXIGLASS DOME & VENTILATION SYSTEM & DOOR OPERATOR

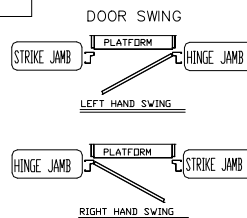
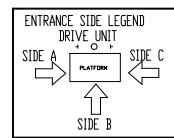
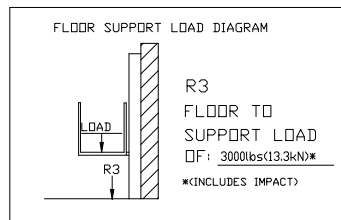
TABLE 1- MAST HEIGHT

TRAVEL		TOWER HEIGHT		MIN ENCLOSURE HEIGHT	
mm	Inches	mm	Inches	mm	Inches
1219	(48")	2032	80	2286	90
1829	(72")	2642	104	2896	114

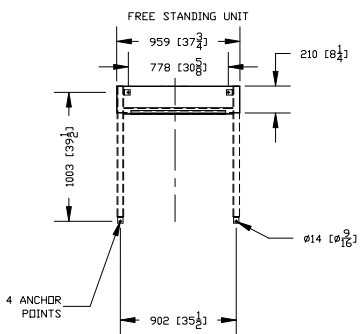
TABLE 2 - ENCLOSURE DIMENSION

CLEAR INSIDE CAB WIDTH		CLEAR INSIDE CAB LENGTH		A FINISHED RUNWAY WIDTH		B FINISHED RUNWAY LENGTH		C TOWER CENTER LINE		D DOOR CENTER LINE (IN CASE OF 36" DOOR)	
mm	Inches	mm	Inches	mm	Inches	mm	Inches	mm	Inches	mm	Inches
914	36	1219	48	1449	57 1/16	1376	54 3/16	687	27 1/16	806	31 3/4
914	36	1372	54	1449	57 1/16	1529	60 3/16	764	30 1/16	806	31 3/4
914	36	1524	60	1449	57 1/16	1681	66 3/16	840	33 1/16	806	31 3/4
1067	42	1219	48	1602	63 1/16	1376	54 3/16	687	27 1/16	883	34 3/4
1067	42	1372	54	1602	63 1/16	1529	60 3/16	764	30 1/16	883	34 3/4
1067	42	1524	60	1602	63 1/16	1681	66 3/16	840	33 1/16	883	34 3/4

FORCES



ANCHOR POINTS



<p>THE INFORMATION DISCLOSED HEREIN IS THE EXCLUSIVE PROPERTY OF</p> <p>AND MAY NOT BE USED BY OTHERS WITHOUT PRIOR WRITTEN CONSENT</p> <p>TITLE: MULTILIFT TYPE - 2</p>	CUSTOMER:	DATE: 11/22/2011	REVISION: 000
	PROJECT:	SCALE: 1:1	11/22/2011
	LOCATION:	DRAFTER: PHILLIP TRAN	SHEET 1 OF 1
		DRAWING NO: MULTILIFT ENCLOSURE	