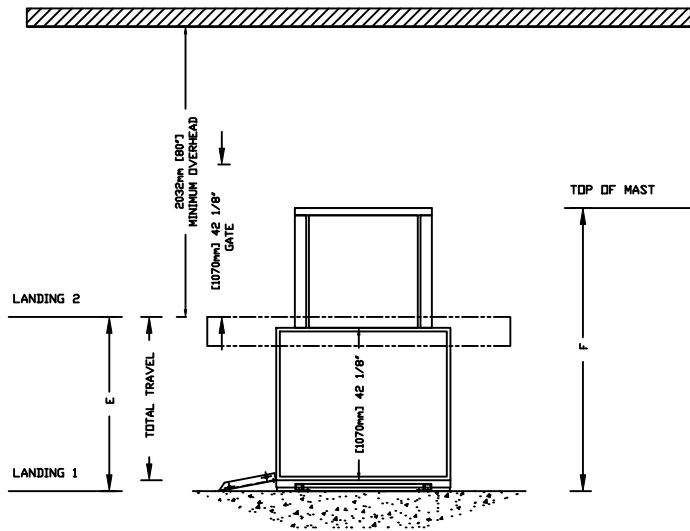


ELEVATION VIEW TYPE-4



MULTILIFT B613

TOP VIEW TYPE-4

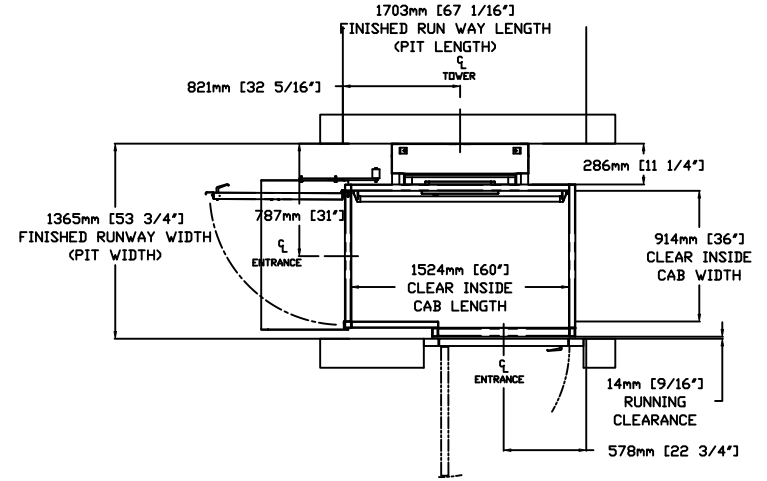
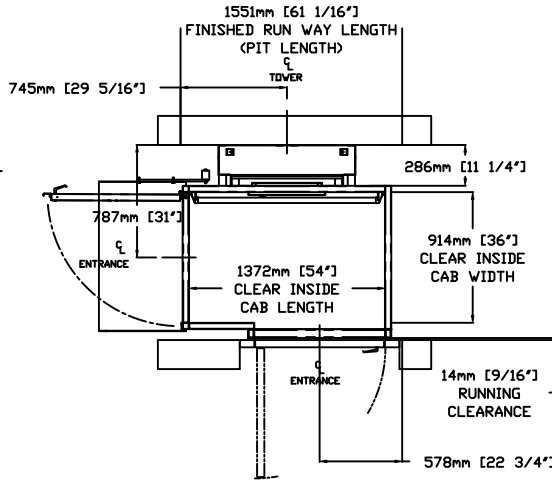
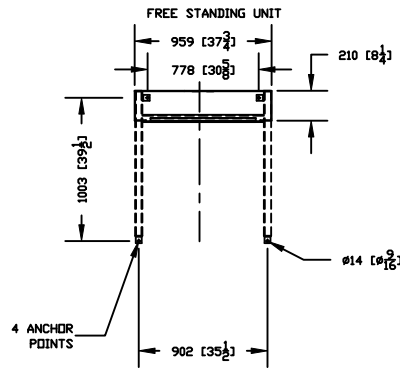


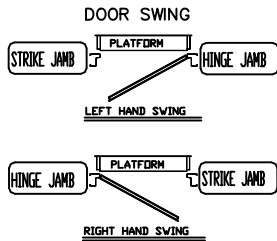
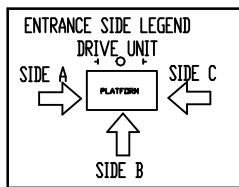
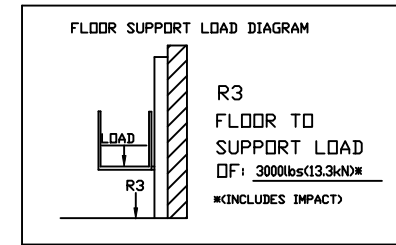
TABLE 1 - MAST HEIGHT

E Max. Travel	F Mast Height with 2" CAP	
	mm (Inches)	mm Inches
1219 (48")	2032	80
1829 (72")	2642	104

ANCHOR POINTS



FORCES



THE INFORMATION DISCLOSED HEREIN IS THE EXCLUSIVE PROPERTY OF savaria™ AND MAY NOT BE USED BY OTHERS WITHOUT PRIOR WRITTEN CONSENT	CUSTOMER:	DATE: 12/17/10	REVISION: 000
	PROJECT:	SCALE: 1:1	12/17/10
TITLE: MULTILIFT B613 WITH PF GATE TYPE - 4	LOCATION:	DRAFTER: ALEX B	SHEET 1 OF 1
		DRAWING NO: MULTILIFT WITH PF GATE	