

# MULTILIFT

## PROVISIONS BY OTHERS

### GENERAL

**HOISTWAY** - THE HOISTWAY MUST BE DESIGNED AND BUILT IN ACCORDANCE WITH 'SAFETY STANDARD FOR PLATFORM LIFTS AND STAIRWAY CHAIRLIFTS' OR 'SAFETY CODE FOR ELEVATORS AND ESCALATORS' AND ALL STATE/PROVINCIALS AND LOCAL CODES.

**PLUMB RUNWAY** - DUE TO CLOSE RUNNING CLEARANCES OWNER/AGENT MUST ENSURE THAT HOISTWAY AND PIT (WHERE PROVIDED) ARE LEVEL, PLUMB (+/- 1/8" (3 mm)) AND SQUARE AND ARE IN ACCORDANCE WITH THE DIMENSIONS IN THESE DRAWINGS.

**MINIMUM OVERHEAD CLEARANCE** - OWNER/AGENT MUST ENSURE MINIMUM OVERHEAD CLEARANCE IS IN COMPLIANCE WITH CODES.

**CONSTRUCTION SITE** - OWNER/AGENT TO PROVIDE ALL MASONRY, CARPENTRY AND DRYWALL WORK AS REQUIRED AND SHALL PATCH AND MAKE GOOD FINISH PAINTING ALL AREAS WHERE WALLS/FLOORS MAY REQUIRE TO BE CUT, DRILLED OR ALTERED IN ANY WAY TO PERMIT THE PROPER INSTALLATION OF THE LIFT.

**DIMENSIONS** - CONTRACTOR/CUSTOMER TO VERIFY ALL DIMENSIONS AND REPORT ANY DISCREPANCIES TO OUR OFFICE IMMEDIATELY.

### STRUCTURAL

**FLOOR/SUPPORT WALL LOADS** - STRUCTURAL ENGINEER TO ASSURE THAT BUILDING AND SHAFT WALL WILL SAFELY SUPPORT ALL LOADS IMPOSED BY THE LIFT EQUIPMENT. REFER TO THE LOAD DIAGRAM ON THIS DRAWING.

**MAST TO BE SECURELY FASTENED** - WHERE REQUIRED THE MAST MUST BE SECURELY FASTENED TO THE STRUCTURAL SUPPORT WALL. REFER TO WALL / FLOOR SUPPORT LOAD DIAGRAM AND WALL LAG DIMENSIONS ON THIS DRAWING.

**WHERE DOORS ARE REQUIRED** - SUITABLE LINTELS MUST BE PROVIDED BY OWNER/AGENT. DOOR FRAMES ARE NOT DESIGNED TO SUPPORT OVERHEAD WALL LOADS.

### ELECTRICAL

**GENERAL** - ELECTRICAL EQUIPMENT AND WIRING TO COMPLY WITH SECTION 36 OF CSA C22.1 (CANADA) OR SECTION 650 OF NEC (ANSI/NFPA 70 USA).

**POWER SUPPLY** - 120VAC, 20A, 60HZ, 1PH CIRCUIT THROUGH A FUSE DISCONNECT WITH AUXILIARY CONTACT ON MAIN POWER SUPPLY. PROVIDE TWO 18 AWG CONDUCTORS BETWEEN CONTACT AND CONTROLLER.

**LIGHTING** - LIGHTING OF 100 LX MIN AT PLATFORM AND LANDINGS. LIGHTING WITH SWITCH AND ELECTRICAL GFCI OUTLET IN HOISTWAY PIT.

**ADDITIONAL BRANCH CIRCUIT** - BRANCH CIRCUIT WITH DISCONNECT FOR DOOR OPERATORS (IF EQUIPPED) (120VAC, 15A, 60HZ, 1PH) BRANCH CIRCUIT WITH DISCONNECT FOR VENTILATION SYSTEM (IF EQUIPPED) (120VAC, 15A, 60HZ, 1PH)

### ENTRANCES

**UPPER LANDING GATES** - WHERE REQUIRED, SMOOTH SOLID BARRIERS ARE TO BE SUPPLIED AND INSTALLED ON BOTH SIDES OF ENTRANCE AT UPPER LEVEL AND MUST BE A MINIMUM OF 42" (1067 mm) HIGH. ENTRANCE ASSEMBLY MUST BE IN PLACE PRIOR TO THIS PROVISION.

**FASCIA PANEL BELOW UPPER LEVEL ENTRANCE** - WHERE REQUIRED, FASCIA PANEL MUST BE FASTENED TO A SOLID WALL AND BE PERPENDICULAR TO THE FLOOR AND WALLS. HOISTWAY FASCIA IS NOT SELF-SUPPORTING FOR LONG CONTINUOUS RUNS VOID OF ENTRANCES. ADEQUATE SUPPORT FOR THE FASCIA MUST BE PROVIDED.

**ENTRANCE ASSEMBLIES** - ENTRANCE ASSEMBLIES MUST BE ADJUSTED TO ALIGN WITH PLATFORM AND INTERLOCK EQUIPMENT. OTHERS TO ALLOW AN ADEQUATE ROUGH OPENING.

**RETURN WALLS** - RETURN WALLS AT ENTRANCES MUST BE BUILT-IN BY OTHERS AFTER ENTRANCE ASSEMBLIES ARE IN PLACE. ENTRANCE ASSEMBLY MUST BE SECURELY FASTENED TO WALLS.

## ELEVATION VIEW TYPE-4

## TOP VIEW TYPE-4

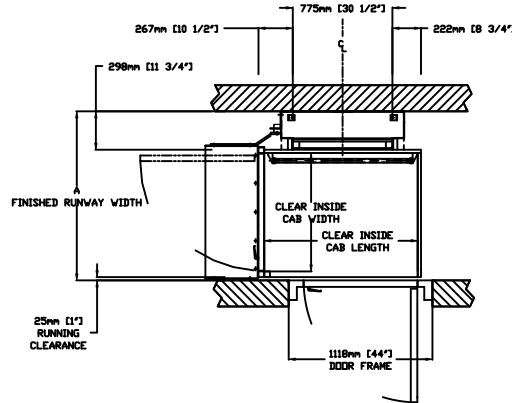
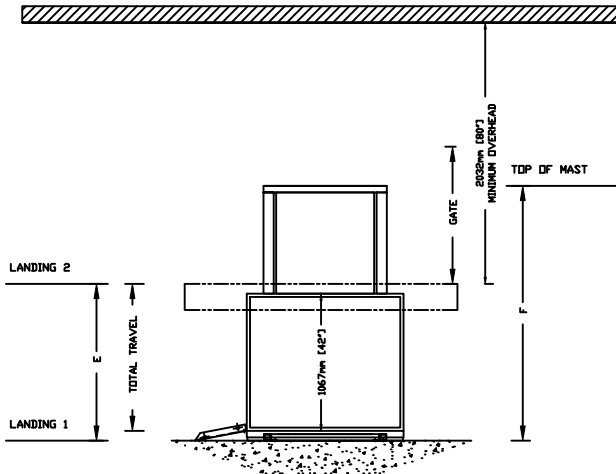


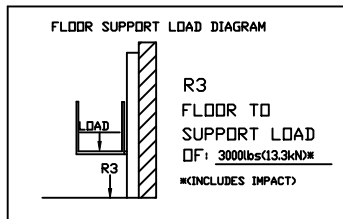
TABLE 1 - MAST HEIGHT

E		F	
Max. Travel		Mast Height with 2" CAP	
mm (Inches)	mm	Inches	
1219 (48")	2032	80	
1829 (72")	2642	104	

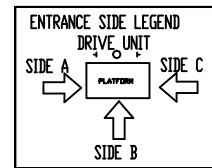
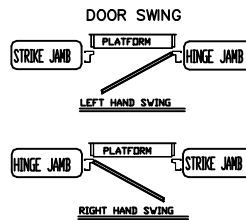
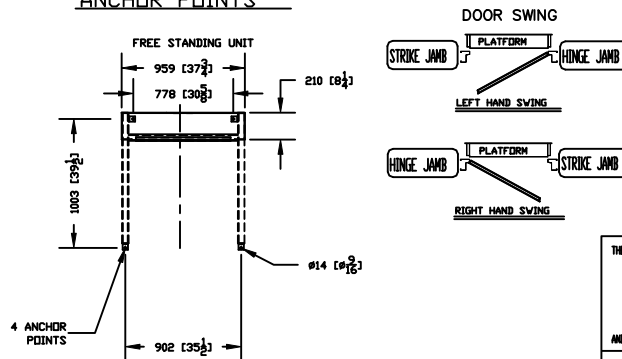
TABLE 2 - HOISTWAY DIMENSION

CLEAR INSIDE CAB WIDTH		CLEAR INSIDE CAB LENGTH		A		B		C		D	
FINISHED RUNWAY WIDTH		FINISHED RUNWAY LENGTH		TOWER CENTER LINE		DOOR CENTER LINE (IN CASE OF 36" DOOR)					
mm	Inches	mm	Inches	mm	Inches	mm	Inches	mm	Inches	mm	Inches
914	36	1194	47	1314	51 3/4						
914	36	1346	53	1314	51 3/4	N/A		N/A		N/A	
914	36	1499	59	1314	51 3/4						

## FORCES



## ANCHOR POINTS



THE INFORMATION DISCLOSED HEREIN IS THE EXCLUSIVE PROPERTY OF

**savaria**

AND MAY NOT BE USED BY OTHERS WITHOUT PRIOR WRITTEN CONSENT

TITLE:  
MULTILIFT  
TYPE - 4 WITH PLATFORM GATE

CUSTOMER	DATE: 09/24/2009	REVISION: 000
	SCALE: 1:1	09/24/2009
PROJECT:	DRAFTER: VINOD C	SHEET 1 OF 1
LOCATION:	DRAWING NO: MULTILIFT UNENCLOSED HOISTWAY	