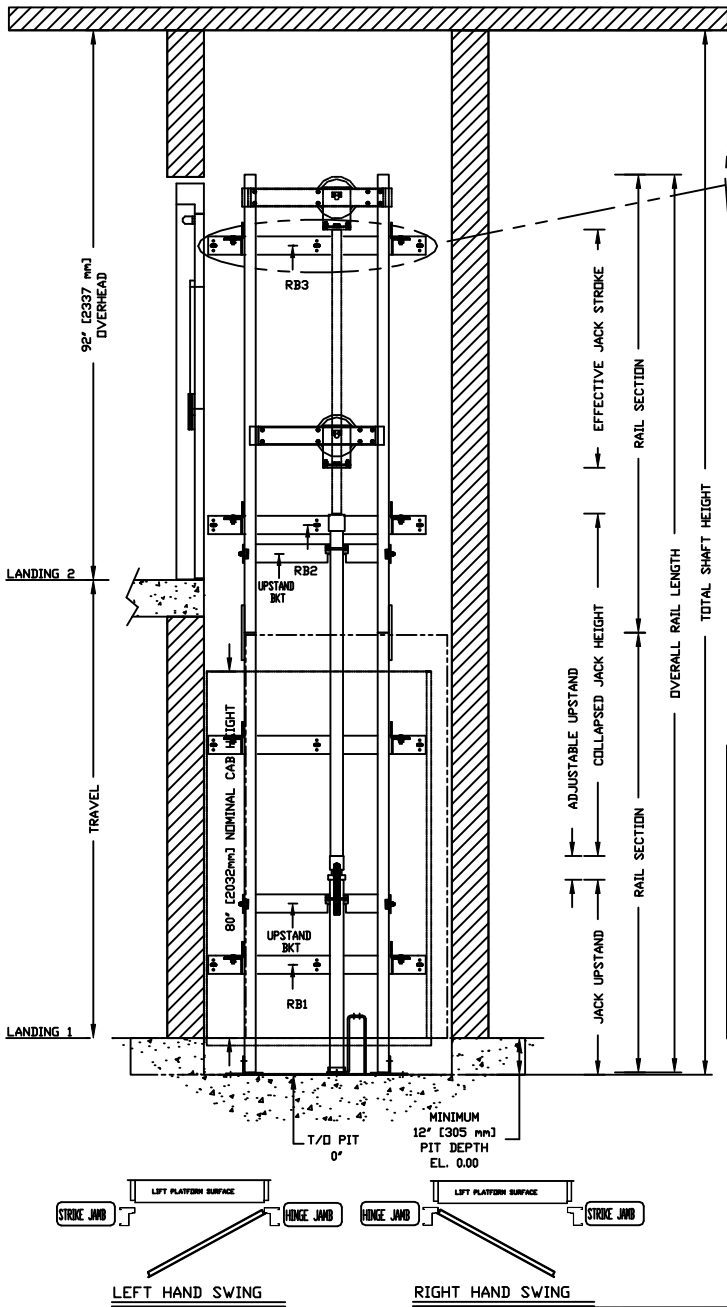
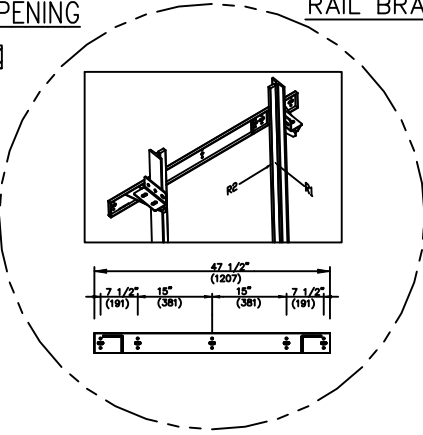


SECTIONAL VIEW - PROLIFT HD Model 4860 TYPE 4-42" OPENING



RAIL BRACKET



RAIL FORCES

* R1	* R2	CAPACITY
422. lbf.	251.50 lbf.	1400 lbs.
355.03 lbf.	251.50 lbf.	1000 lbs.

RAIL WEIGHT : 8.0 lbs / ft

R3 NOTE:

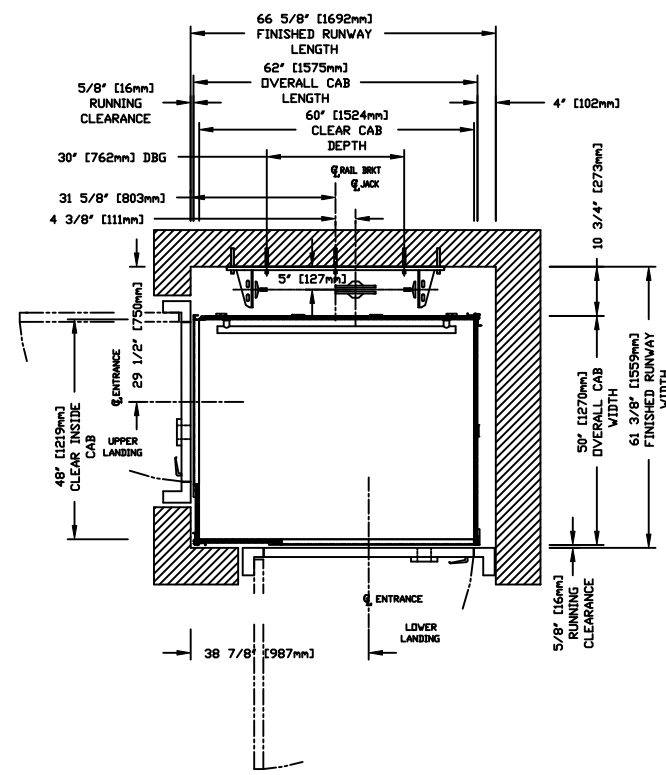
PIT FLOOR TO SUPPORT LOAD OF:

* (INCLUDES IMPACT)

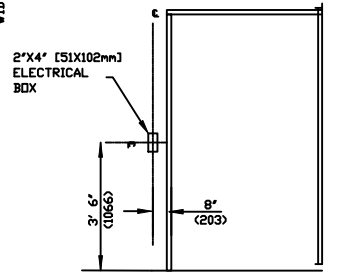
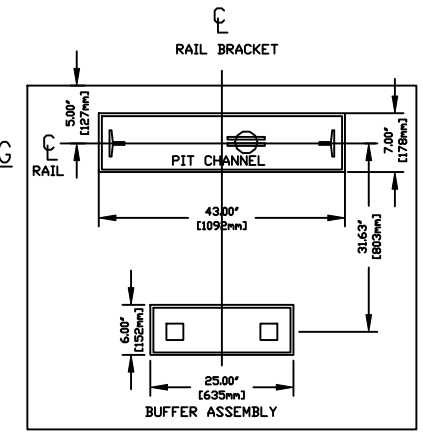
CAPACITY	
8.22 Kips	1400 lbs.
6.4 Kips	1000 lbs.

FOR TOTAL PULL-OUT FORCE ON RAIL BRACKET, R1 MUST BE DOUBLED eg. 608 lbf for 1000 lbs.

PLAN VIEW - PROLIFT HD Model 4860 TYPE 4-42" OPENING



TOP RAIL BRACKET RB3	AT TOP OF HOISTWAY CONSULT YOUR CONCORD REPRESENTATIVE FOR EXACT LOCATION
INTERMEDIATE RAIL BRACKET RB2	48" [1219mm] INTERVALS ABOVE BOTTOM BRACKET
BOTTOM RAIL BRACKET RB1	24" [610mm] ABOVE PIT FLOOR



HALL FIXTURE LOCATION
LEFT HAND AS SHOWN
RIGHT HAND OPPOSITE
1. HALL BUTTON AT ALL FLOORS